

LISTA DE APLICACIONES - BUYERS GUIDE

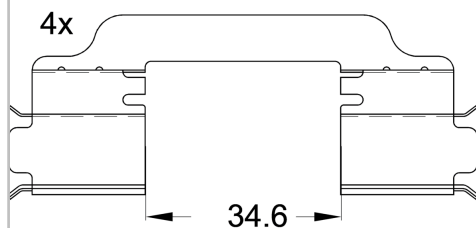
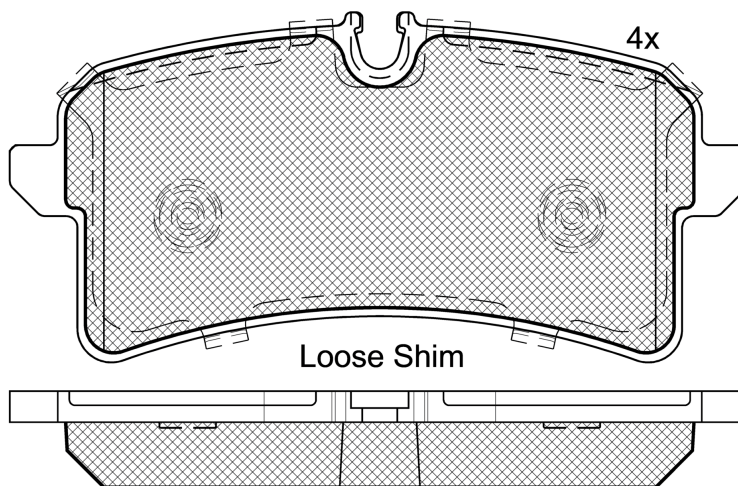
182159-204



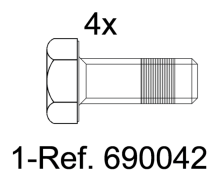
Qty: 300

Weight: 1.750

O.E.M.	MAKE
95B 698 451	PORSCHE
95B 698 451 A	PORSCHE
95B 698 451 B	PORSCHE
95B 698 451 F	PORSCHE



1-Ref. 690320 E



182159-204

E 9 90R-02A0111/4623



Trw

131.1x62x17.6

WVA	FMSI
24643	D1780-9009
25642	
MAKE	
PORSCHE	



Trac.	CC	Kw	CV
-------	----	----	----



Front / Rear

PORSCHE

MACAN (95B) 02.14-

SUV (Compact SUV-J Segment)

Model	Configuration	Fuel	Drivetrain	CC	Kw	CV	Year Range	Front	Rear
2.0 (MCN.CC)	PR 2EK, discØ 356, 2EH, discØ 370	Gasolina	4WD	1984	174	237	05.14-09.18	■	■
2.0 (MCY.NA)	PR 2EK, discØ 356, 2EH, discØ 370	Gasolina	4WD	1984	174	237	05.14-09.18	■	■
2.0 (DKNA)	Rim 19, PR 1KN, 2EH, discØ 356, 1KN	Gasolina	4WD	1984	180	245	05.18-	■	■
2.0 (DLHB)	PR 2EK, discØ 356, 1KN, 2EH, discØ 370	Gasolina	4WD	1984	185	252	05.15-	■	■
2.0 (MCY.NB)	PR 2EK, discØ 356, 1KN, 2EH, discØ 370	Gasolina	4WD	1984	185	252	05.15-	■	■
2.0 (MCY.PA)	PR 2EK, discØ 356, 1KN, 2EH, discØ 370	Gasolina	4WD	1984	185	252	05.15-	■	■
2.0 (95BAU1)	2EH, 1KN, discØ 356	Gasolina	4WD	1984	195	265	05.18-	■	■
2.9 GTS (95BBL1)	2EH, 1KN, discØ 356	Gasolina	4WD	2894	280	380	05.19-	■	■
2.9 S (95BBV1) (DGRB)		Gasolina	4WD	2894	280	380	05.21-	■	■
2.9 GTS AWD (95BBW1) (DGRC)		Gasolina	4WD	2894	324	441	05.21-	■	■
2.9 Turbo AWD (95BC11) (DGR)	Rim 19, PR 1KN, not ceramic disc, 2EH, 1KN, discØ 356	Gasolina	4WD	2894	324	441	05.18-	■	■
2.9 Turbo AWD (95BC11) (DGRC)	Rim 19, PR 1KN, not ceramic disc, 2EH, 1KN, discØ 356	Gasolina	4WD	2894	324	441	05.18-	■	■
3.0S (DLZB)	Rim 19, PR 1KN, 2EH	Gasolina	4WD	2995	260	354	05.18-	■	■
3.0S (MCT.MA)	PR 2EK, discØ 356, 2EH, discØ 370	Gasolina	4WD	2997	250	340	02.14-09.18	■	■
3.0 GTS (MDC.NA)	PR 2EK, discØ 356, 2EH, discØ 370	Gasolina	4WD	2997	265	360	10.15-09.18	■	■
3.6 Turbo (MCT.LA)	PR 2EK, discØ 356, 2EH, discØ 370 not ceramic disc, PR 1KN, Rim 19	Gasolina	4WD	3604	294	400	02.14-09.18	■	■

LISTA DE APLICACIONES - BUYERS GUIDE

3.6 Turbo (MDH.KA)	PR 2EK, discØ 356, 2EH, discØ 370 not ceramic disc, PR 1KN, Rim 19	Gasolina	4WD	3604	324	441	09.16-	■
3.0 S Diesel (MCT.BB)	PR 2EK, discØ 356, 2EH, discØ 370	Diesel	4WD	2967	155	211	02.14-09.18	■
3.0 S Diesel (MCD.UD)	PR 2EK, discØ 356, 2EH, discØ 370	Diesel	4WD	2967	180	245	02.14-09.18	■
3.0 S Diesel (MCT.BC)	PR 2EK, discØ 356, 2EH, discØ 370	Diesel	4WD	2967	184	250	02.14-09.18	■
3.0 S Diesel (MCT.BA)	PR 2EK, discØ 356, 2EH, discØ 370	Diesel	4WD	2967	190	258	02.14-09.18	■