

LISTA DE APLICACIONES - BUYERS GUIDE

182160

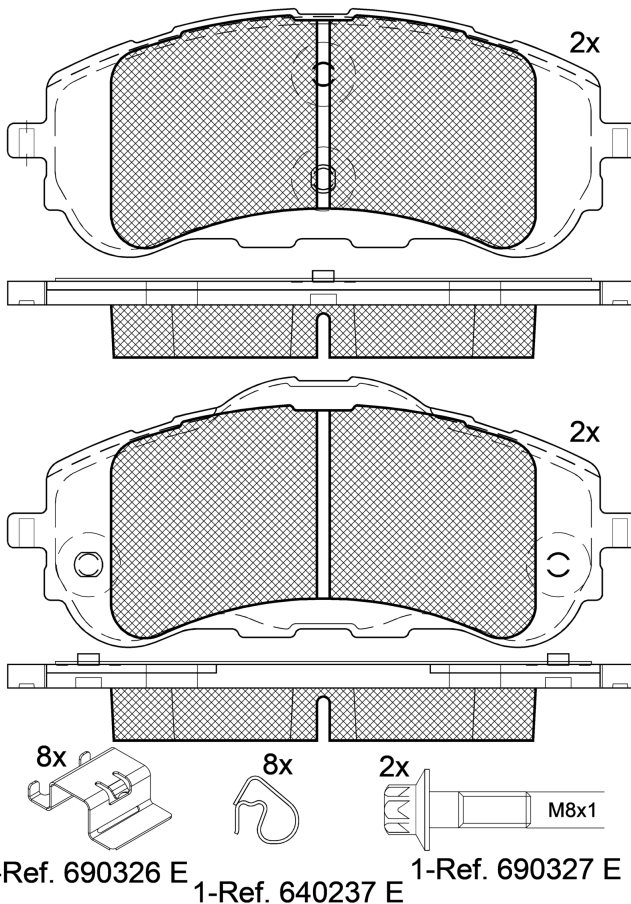


8 424073 108470

Qty: 300

Weight: 1.890

O.E.M.	MAKE
16 104 287 80	PEUGEOT
16 197 909 80	PEUGEOT
16 478 602 80	PEUGEOT
16 781 681 80	VAUXHALL
SU001-B2505	TOYOTA
SU001-B3771	TOYOTA



182160

E 9 90R-02A0111/3838



Chassis Brake Int. (Bosch)

147.9x58.2x18.5
147.9x63.3x18.5

VVA	FMSI
25895	D1889-9262
25896	

MAKE
CITROËN
OPEL
PEUGEOT
PEUGEOT (DF-PSA)
TOYOTA
VAUXHALL



Trac.	CC	Kw	CV						
									Front / Rear

CITROËN

						Box Body/MPV (LCVs-N1 Segment)			
BERLINGO II (B9) 04.08-									
PureTech 110 (HNZ (EB2DT))	discØ 283	Gasolina	FWD	1199	81	110	01.18-12.18	■	
BERLINGO III (K9) 06.18-									
PureTech 110 (HNP (EB2ADT))	discØ 283	Gasolina	FWD	1199	81	110	06.18-	■	
PureTech 130 (HNS (EB2ADTS))	discØ 283	Gasolina	FWD	1199	96	131	10.19-	■	
1.6 16V Flex	discØ 283	Gasol./Etanol	FWD	1587	90	122	10.18-	■	
è-BERLINGO	discØ 283	Eléctrico	FWD		100	136	07.21-	■	
è-BERLINGO		Eléctrico	FWD		100	136	11.23-	■	
1.5 BlueHDi 75 (YHW (DV5RE))	discØ 283	Diesel	FWD	1499	55	75	10.19-	■	
1.5 BlueHDi 100 (YHY (DV5RD))	discØ 283	Diesel	FWD	1499	75	102	06.18-	■	
1.5 BlueHDi 130 (YHZ (DV5RC))	discØ 283	Diesel	FWD	1499	96	131	06.18-	■	
1.5 BlueHDi 130 4x4 (YHZ (DV5RC))	discØ 283	Diesel	4WD	1499	96	131	06.18-	■	
1.6 BlueHDi 75 (BHW (DV6FE))	discØ 283	Diesel	FWD	1560	55	75	06.18-04.20	■	
1.6 BlueHDi 100 (BHY (DV6FD))	discØ 283	Diesel	FWD	1560	73	99	06.18-04.21	■	
BERLINGO III (ER_, EC_) 06.18-						MPV (Large MPV-M1 Segment)			
1.2 PureTech 110 (HNP (EB2ADT))	discØ 283	Gasolina	FWD	1199	81	110	06.18-	■	
1.2 PureTech 130 (HNS (EB2ADTS))	discØ 283	Gasolina	FWD	1199	96	131	07.19-	■	
è-BERLINGO	discØ 283	Eléctrico	FWD		100	136	07.21-	■	
è-BERLINGO		Eléctrico	FWD		100	136	11.23-	■	
1.5 BlueHDi 75 (YHW (DV5RE))	discØ 283	Diesel	FWD	1499	56	76	06.18-	■	
1.5 BlueHDi 100 (YHY (DV5RD))	discØ 283	Diesel	FWD	1499	75	102	06.18-	■	
1.5 BlueHDi 130 (ECYHZJ, ECYHZR) (YHZ (DV5RC))	discØ 283	Diesel	FWD	1499	96	131	06.18-	■	

LISTA DE APLICACIONES - BUYERS GUIDE

1.6 HDI 92		Diesel	FWD	1560	68	92	09.18-	■	
1.6 BlueHDi 100	discØ 283	Diesel	FWD	1560	73	99	01.19-	■	
OPEL									
ASTRA L (OV5) 10.21-						Hatchback (Compact car-C Segment)			
1.2 (FPHNPJ)	discØ 283	Gasolina	FWD	1199	81	110	10.21-	■	
1.2 (FPHNSL, FPHNSR)	discØ 283	Gasolina	FWD	1199	96	131	10.21-	■	
1.2 MHEV (FPHPY)		Gasol./el éc.	FWD	1199	100	136	10.23-	■	
1.6 Plug-In-Hybrid (F3DGZT)	discØ 283	Gasol./el éc.	FWD	1598	110	150	10.21-	■	
1.6 Plug-In-Hybrid (F3DGZT)	discØ 283	Gasol./el éc.	FWD	1598	133	181	10.21-	■	
1.6 Plug-In-Hybrid (F3DGZT)		Gasol./el éc.	FWD	1598	165	224	01.23-	■	
Astra-e (F3ZKWZ)		Eléctrico	FWD		115	156	03.23-	■	
1.5 Turbo D (FBYHZT, FBYHZJ)	discØ 283	Diesel	FWD	1499	96	131	10.21-	■	
ASTRA L Sports Tourer (OV5) 10.21-						Estate (Compact car-C Segment)			
1.2 (FRHNPJ)	discØ 283	Gasolina	FWD	1199	81	110	10.21-	■	
1.2 (FRHNSL, FRHNSR)	discØ 283	Gasolina	FWD	1199	96	131	10.21-	■	
1.2 MHEV (FPHPY)		Gasol./el éc.	FWD	1199	100	136	10.23-	■	
1.6 Plug-In Hybrid	discØ 283	Gasol./el éc.	FWD	1598	110	150	10.21-	■	
1.6 Plug-In Hybrid (F4DGZT, F4DGYT)	discØ 283	Gasol./el éc.	FWD	1598	133	181	10.21-	■	
1.6 Plug-In Hybrid (F4DGZT, F4DGYT)		Gasol./el éc.	FWD	1598	165	224	03.23-	■	
Astra-e (F4ZKWZ)		Eléctrico	FWD		115	156	03.23-	■	
1.5 CDTi (FCYHZT, FCYHZJ)	discØ 283	Diesel	FWD	1499	96	131	10.21-	■	
COMBO E (K9) 06.18-						Box Body/MPV (Large MPV-M1 Segment)			
1.2 (D 12 XHL (EB2ADT))	discØ 283	Gasolina	FWD	1199	81	110	02.19-	■	
1.2 (F 12 XHL)	discØ 283	Gasolina	FWD	1199	81	110	02.19-	■	
1.2 (F 12 XHT (EB2ADTS))	discØ 283	Gasolina	FWD	1199	96	131	09.19-	■	
Combo-e	discØ 283	Eléctrico	FWD		100	136	07.21-	■	
Combo-e		Eléctrico	FWD		100	136	11.23-	■	
1.5 D (D 15 DTL (DV5RE))	discØ 283	Diesel	FWD	1499	56	76	08.18-	■	
1.5 D (D 15 DT (DV5RD))	discØ 283	Diesel	FWD	1499	75	102	08.18-	■	
1.5 D (D 15 DTH (DV5RC))	discØ 283	Diesel	FWD	1499	96	131	08.18-	■	
1.5 D A las 4 ruedas (D 15 DTH (DV5RC))	discØ 283	Diesel	4WD	1499	96	131	08.18-	■	
1.6 D (B 16 DTL (DV6FE))	discØ 283	Diesel	FWD	1560	55	75	06.18-04.21	■	
1.6 D (B 16 DT (DV6FD))	discØ 283	Diesel	FWD	1560	73	99	06.18-04.20	■	
COMBO E Tour / Life (K9) 06.18-						MPV (Large MPV-M1 Segment)			
1.2 (D 12 XHL (EB2ADT))	discØ 283	Gasolina	FWD	1199	81	110	06.18-	■	
1.2 (F 12 XHL)	discØ 283	Gasolina	FWD	1199	81	110	06.18-	■	
1.2 (F 12 XHT (EB2ADTS))	discØ 283	Gasolina	FWD	1199	96	131	07.19-	■	
1.5 (D 15 DTL (DV5RE))	discØ 283	Diesel	FWD	1499	56	76	06.18-	■	
1.5 (D 15 DT (DV5RD))	discØ 283	Diesel	FWD	1499	75	102	06.18-	■	
1.5 (D 15 DTH (DV5RC))	discØ 283	Diesel	FWD	1499	96	131	06.18-	■	
1.6	discØ 283	Diesel	FWD	1560	68	92	09.19-	■	
PEUGEOT									
308 II (LB_) 03.15-						Hatchback Van (Compact car-C Segment)			
1.5 BlueHDi 130 (LBYHZP) (YHZ (DV5RC))	discØ 283	Diesel	FWD	1499	96	131	06.17-06.21	■	
1.6 e-HDi 115 (LB9HCG) (9HC (DV6C))	discØ 283	Diesel	FWD	1560	85	116	03.15-06.21	■	

LISTA DE APLICACIONES - BUYERS GUIDE

1.6 BlueHDi 120 (LBBHZM) (BHX (DV6FC))	discØ 283	Diesel	FWD	1560	88	120	03.15-06.21	■	
308 II (LB_, LP_, LW_, LH_, L3_) 09.13-					Hatchback (Compact car-C Segment)				
1.2 VTi 72 (HMZ (EB2F))	discØ 283	Gasolina	FWD	1199	60	82	09.13-06.21	■	
1.2 THP 110 (HNP (EB2ADT))	discØ 283	Gasolina	FWD	1199	81	110	11.13-06.21	■	
1.2 THP 110 (HNV (EB2DTM))	discØ 283	Gasolina	FWD	1199	81	110	11.13-06.21	■	
1.2 THP 110 (HNZ (EB2DT))	discØ 283	Gasolina	FWD	1199	81	110	11.13-06.21	■	
1.2 THP 130 (HNY (EB2DTS))	discØ 283	Gasolina	FWD	1199	96	131	11.13-06.21	■	
1.6 VTi 115 (NFP (EC5))	discØ 283	Gasolina	FWD	1587	85	115	05.15-06.21	■	
1.6 Flex	discØ 283	Gasolina	FWD	1587	90	122	12.14-	■	
1.6	discØ 283	Gasolina	FWD	1587	121	165	12.14-	■	
1.6 VTi	discØ 283	Gasolina	FWD	1598	85	115	03.14-	■	
1.6 THP 125 (5FA (EP6CDT))	discØ 283	Gasolina	FWD	1598	92	125	09.13-06.21	■	
1.6 THP 150 (5GX (EP6FDTMD))	discØ 283	Gasolina	FWD	1598	110	150	03.14-06.21	■	
1.6 THP (5GX (EP6FDTMD))	discØ 283	Gasolina	FWD	1598	112	152	09.13-06.21	■	
1.6 THP (5FV (EP6CDT))	discØ 283	Gasolina	FWD	1598	115	156	09.13-06.21	■	
1.6 THP 163 (5FM (EP6CDTM))	discØ 283	Gasolina	FWD	1598	120	163	06.14-06.21	■	
1.6 GT 205 (5GT (EP6FDTX))	discØ 283	Gasolina	FWD	1598	151	205	06.14-06.21	■	
1.6 PureTech 225 (GGR (EP6FADTX))	discØ 283	Gasolina	FWD	1598	165	225	01.18-06.21	■	
1.6 Flex	discØ 283	Gasol./Etanol	FWD	1598	127	173	11.15-02.19	■	
1.5 BlueHDi 100 (YHY (DV5RD))	discØ 283	Diesel	FWD	1499	75	102	05.18-06.21	■	
1.5 BlueHDi 130 (YHZ (DV5RC))	discØ 283	Diesel	FWD	1499	96	131	06.17-06.21	■	
1.6 HDi (9HP (DV6DTE))	discØ 283	Diesel	FWD	1560	68	92	09.13-06.21	■	
1.6 HDi 100 (BHY (DV6FD))	discØ 283	Diesel	FWD	1560	73	99	04.14-06.21	■	
1.6 HDi / BlueHDi 115 (9HC (DV6C))	discØ 283	Diesel	FWD	1560	85	115	09.13-06.21	■	
1.6 HDi / BlueHDi 115 (BHZ (DV6FC))	discØ 283	Diesel	FWD	1560	85	115	09.13-06.21	■	
1.6 BlueHDi 120 (BHZ (DV6FC))	discØ 283	Diesel	FWD	1560	88	120	11.13-06.21	■	
2.0 BlueHDi 150 (AHX (DW10FCD))	discØ 283	Diesel	FWD	1997	110	150	11.13-06.21	■	
2.0 BlueHDi 150 (AHX (DW10FD))	discØ 283	Diesel	FWD	1997	110	150	11.13-06.21	■	
2.0 GT BlueHDi 180 (EHZ (DW10FC))	discØ 283	Diesel	FWD	1997	130	177	06.17-06.21	■	
2.0 GT BlueHDi 180 (AHW (DW10FC))	discØ 283	Diesel	FWD	1997	132	179	06.17-06.21	■	
2.0 GT BlueHDi 180 (AHW (DW10FC))	discØ 283	Diesel	FWD	1997	133	181	06.14-06.21	■	
308 II SW (LC_) 04.14-					Estate Van (Compact car-C Segment)				
1.5 BlueHDi 130 (LCYHZP) (YHZ (DV5RC))	discØ 283	Diesel	FWD	1499	96	131	06.17-06.21	■	
1.6 BlueHDi (BHY (DV6FD))	discØ 283	Diesel	FWD	1560	73	99	04.14-06.21	■	
308 II SW (LC_, LJ_, LR_, LX_, L4_) 03.14-					Estate (Compact car-C Segment)				
1.2 THP 110 (HNP (EB2ADT))	discØ 283	Gasolina	FWD	1199	81	110	03.14-06.21	■	
1.2 THP 110 (HNV (EB2DTM))	discØ 283	Gasolina	FWD	1199	81	110	03.14-06.21	■	
1.2 THP 110 (HNZ (EB2DT))	discØ 283	Gasolina	FWD	1199	81	110	03.14-06.21	■	
1.2 THP 130 (HNY (EB2DTS))	discØ 283	Gasolina	FWD	1199	96	131	03.14-06.21	■	
1.6 VTi (LWNFPA) (NFP (EC5))	discØ 283	Gasolina	FWD	1587	85	115	03.14-06.21	■	
1.6 THP 125 (5FA (EP6CDT))	discØ 283	Gasolina	FWD	1598	92	125	03.14-06.21	■	
1.6 THP 150 (L45GXA) (5GX (EP6FDTMD))	discØ 283	Gasolina	FWD	1598	110	150	03.14-06.21	■	
1.6 THP 155 (5FV (EP6CDT))	discØ 283	Gasolina	FWD	1598	115	156	03.14-06.21	■	
1.6 THP 163	discØ 283	Gasolina	FWD	1598	120	163	06.14-	■	
1.6 GT 205 (5GT (EP6FDTX))	discØ 283	Gasolina	FWD	1598	151	205	02.15-06.21	■	
1.6 PureTech 225 (L45GGR) (5GG (EP6FADTX))	discØ 283	Gasolina	FWD	1598	165	225	01.18-06.21	■	
1.5 BlueHDi 100 (YHY (DV5RD))	discØ 283	Diesel	FWD	1499	75	102	04.18-06.21	■	
1.5 BlueHDi 130 (YHZ (DV5RC))	discØ 283	Diesel	FWD	1499	96	131	06.17-06.21	■	
1.6 HDi 92 (9HP (DV6DTE))	discØ 283	Diesel	FWD	1560	68	92	03.14-06.21	■	

LISTA DE APLICACIONES - BUYERS GUIDE

1.6 BlueHDi 100 (BHY (DV6FD))	discØ 283	Diesel	FWD	1560	73	99	04.14-06.21	■	
1.6 HDi / BlueHDi 115 (LCBHXM, LCBHXT) (9HC (DV6C))	discØ 283	Diesel	FWD	1560	85	115	03.14-06.21	■	
1.6 HDi / BlueHDi 115 (LCBHXM, LCBHXT) (BHZ (DV6FC))	discØ 283	Diesel	FWD	1560	85	115	03.14-06.21	■	
1.6 BlueHDi 120 (BHZ (DV6FC))	discØ 283	Diesel	FWD	1560	88	120	03.14-06.21	■	
2.0 BlueHDi 150 (AHX (DW10FCD))	discØ 283	Diesel	FWD	1997	110	150	03.14-06.21	■	
2.0 GT BlueHDi 180 (EHZ (DW10FC))	discØ 283	Diesel	FWD	1997	130	177	06.17-06.21	■	
2.0 GT BlueHDi 180 (AHW (DW10FC))	discØ 283	Diesel	FWD	1997	132	179	06.17-06.21	■	
2.0 GT HDi 180 / BlueHDi 180 (AHW (DW10FC))	discØ 283	Diesel	FWD	1997	133	181	06.14-06.21	■	
308 III (FB_, FH_, FP_, F3_, FM_) 07.21-							Hatchback (Compact car-C Segment)		
PureTech 110 (FPHNPL)	discØ 283	Gasolina	FWD	1199	81	110	07.21-	■	
PureTech 130 (FPHNPL, FPHNST)	discØ 283	Gasolina	FWD	1199	96	131	07.21-	■	
Hybrid 180 (F3DGXT)	discØ 283	Gasol./el éc.	FWD	1598	110	150	07.21-	■	
Hybrid 225 (F3DGYT)	discØ 283	Gasol./el éc.	FWD	1598	132	179	07.21-	■	
Hybrid 180 (F3DGXT, F3DGMH)		Gasol./el éc.	FWD	1598	133	181	07.21-	■	
Hybrid 225 (F3DGYT, F3DGNH)		Gasol./el éc.	FWD	1598	165	224	07.21-	■	
BlueHDi 130 (FBYHZL, FBYHZT)	discØ 283	Diesel	FWD	1499	96	131	07.21-	■	
308 III SW (FC_, FJ_, FR_, F4_, FN_) 07.21-							Estate (Compact car-C Segment)		
PureTech 110 (FRHNPL)	discØ 283	Gasolina	FWD	1199	81	110	07.21-	■	
PureTech 130 (FRHNPL, FRHNST)	discØ 283	Gasolina	FWD	1199	96	131	07.21-	■	
Hybrid 180 (F4DGXT)	discØ 283	Gasol./el éc.	FWD	1598	110	150	07.21-	■	
Hybrid 225 (F4DGYT)	discØ 283	Gasol./el éc.	FWD	1598	132	179	07.21-	■	
Hybrid 180 (F4DGXT)		Gasol./el éc.	FWD	1598	133	181	07.21-	■	
Hybrid 225 (F4DGYT)		Gasol./el éc.	FWD	1598	165	224	07.21-	■	
BlueHDi 130 (FCYHZL, FCYHZT)	discØ 283	Diesel	FWD	1499	96	131	07.21-	■	
308 SW (4E_, 4H_) 09.07-							Estate (Compact car-C Segment)		
1.6 HDi (9HD (DV6C))	discØ 283	Diesel	FWD	1560	84	114	03.13-10.14	■	
PARTNER III (K9) 09.18-							Box Body/MPV (LCVs-N1 Segment)		
1.2 PureTech 110 (HNP (EB2ADT))	discØ 283	Gasolina	FWD	1199	81	110	01.19-	■	
1.2 PureTech 130 (HNS (EB2ADTS))	discØ 283	Gasolina	FWD	1199	96	131	07.19-	■	
1.6 16V Flex	discØ 283	Gasol./Et anol	FWD	1587	90	122	10.18-	■	
e-Partner	discØ 283	Eléctrico	FWD		100	136	07.21-	■	
e-Partner		Eléctrico	FWD		100	136	11.23-	■	
1.5 BlueHDi 75 (YHW (DV5RE))	discØ 283	Diesel	FWD	1499	55	75	07.19-	■	
1.5 BlueHDi 100 (YHY (DV5RD))	discØ 283	Diesel	FWD	1499	75	102	07.19-	■	
1.5 BlueHDi 130 (YHZ (DV5RC))	discØ 283	Diesel	FWD	1499	96	131	09.18-	■	
1.5 BlueHDi 130 4x4 (YHZ (DV5RC))	discØ 283	Diesel	4WD	1499	96	131	09.18-	■	
1.6 BlueHDi 75 (BHW (DV6FE))	discØ 283	Diesel	FWD	1560	55	75	09.18-	■	
1.6 HDi 92	discØ 283	Diesel	FWD	1560	68	92	09.18-	■	
1.6 BlueHDi 100 (BHY (DV6FD))	discØ 283	Diesel	FWD	1560	73	99	09.18-	■	
RIFTER (K9) 09.18-							MPV (Large MPV-M1 Segment)		
1.2 PureTech 110 (HNP (EB2ADT))	discØ 283	Gasolina	FWD	1199	81	110	09.18-	■	
1.2 PureTech 130 (HNS (EB2ADTS))	discØ 283	Gasolina	FWD	1199	96	131	07.19-	■	
e-Rifter	discØ 283	Eléctrico	FWD		100	136	07.21-10.23	■	
e-Rifter		Eléctrico	FWD		100	136	11.23-	■	

LISTA DE APLICACIONES - BUYERS GUIDE

1.5 BlueHDi 75 (ECYHW) (YHW (DV5RE))	discØ 283	Diesel	FWD	1499	55	75	09.18-	■
1.5 BlueHDi 100 (YHY (DV5RD))	discØ 283	Diesel	FWD	1499	75	102	08.18-	■
1.5 BlueHDi 130 (YHZ (DV5RC))	discØ 283	Diesel	FWD	1499	96	131	09.18-	■
1.6 HDi 75 / BlueHDi 75 (9HN (DV6ETED))	discØ 283	Diesel	FWD	1560	55	75	09.18-	■
1.6 HDi 75 / BlueHDi 75 (BHW (DV6FE))	discØ 283	Diesel	FWD	1560	55	75	09.18-	■
1.6 HDi 92 (9HP (DV6DTED))	discØ 283	Diesel	FWD	1560	68	92	09.18-	■
1.6 BlueHDi 100 (BHY (DV6FD))	discØ 283	Diesel	FWD	1560	73	99	09.18-	■

PEUGEOT (DF-PSA)

308 10.11-				Saloon (Compact car-C Segment)				
190THP		Gasolina	FWD	1199	85	116	01.19-	■
230 THP		Gasolina	FWD	1199	100	136	09.16-	■
1.6 (NFP(EC5))		Gasolina	FWD	1587	86	117	09.16-	■
1.6 VTi (NFP (EC5))		Gasolina	FWD	1587	86	117	04.13-	■

308S 04.15-				Hatchback (Compact car-C Segment)				
1.2 THP		Gasolina	FWD	1199	100	136	04.15-	■
1.6 VTi		Gasolina	FWD	1587	86	117	04.15-	■

408 II 08.14-				Saloon (Compact car-C Segment)				
1.2 THP		Gasolina	FWD	1199	100	136	03.15-	■
1.6	discØ 283	Gasolina	FWD	1598	123	167	08.14-	■
1.6 360 THP (5G06 (EP0FADTXD))	discØ 283	Gasolina	FWD	1598	125	170	06.19-	■
1.8		Gasolina	FWD	1813	102	139	08.14-	■

TOYOTA

PROACE II CITY (BPZ_) 10.19-				Box Body/MPV (LCVs-N1 Segment)				
1.2 VVT-i 110 (BPZN) (EB2ADT)	discØ 283	Gasolina	FWD	1199	81	110	10.19-	■
1.2 VVT-i 130 (BPZN) (EB2ADTS)	discØ 283	Gasolina	FWD	1199	96	131	10.19-	■
Electric (BPZS)	discØ 283	Eléctrico	FWD		100	136	07.21-02.24	■
Electric (BPZZ)		Eléctrico	FWD		100	136	03.24-	■
1.5 D-4D 75 (BPZM) (DV5RE)	discØ 283	Diesel	FWD	1499	55	75	10.19-	■
1.5 D-4D 100 (BPZM) (DV5RD)	discØ 283	Diesel	FWD	1499	75	102	10.19-	■
1.5 D-4D 130 (BPZM) (DV5RC)		Diesel	FWD	1499	96	131	10.19-	■
1.6 D-4D 92 (BPZQ)		Diesel	FWD	1560	68	92	01.22-	■

VAUXHALL

ASTRA Mk VIII (L) 10.21-				Hatchback (Compact car-C Segment)				
1.2 (FPHNPJ)	discØ 283	Gasolina	FWD	1199	81	110	10.21-	■
1.2 (FPHNSL, FPHNSR)	discØ 283	Gasolina	FWD	1199	96	131	10.21-	■
1.2 MHEV (FPHPY)		Gasol./el éc.	FWD	1199	100	136	10.23-	■
1.6 Plug-In-Hybrid (F3DGZT)	discØ 283	Gasol./el éc.	FWD	1598	110	150	10.21-	■
1.6 Plug-In-Hybrid (F3DGZT)	discØ 283	Gasol./el éc.	FWD	1598	133	181	10.21-	■
1.6 Plug-In-Hybrid (F3DGZT)		Gasol./el éc.	FWD	1598	165	224	06.22-	■
Astra-e (F3ZKWZ)		Eléctrico	FWD		115	156	03.23-	■
1.5 Turbo D (FBYHZT, FBYHZJ)	discØ 283	Diesel	FWD	1499	96	131	10.21-	■

ASTRA Mk VIII (L) Sports Tourer 10.21-				Estate (Compact car-C Segment)				
1.2	discØ 283	Gasolina	FWD	1199	81	110	10.21-	■
1.2	discØ 283	Gasolina	FWD	1199	96	131	10.21-	■
1.2 MHEV (FPHPY)		Gasol./el éc.	FWD	1199	100	136	10.23-	■
1.6 Plug-In-Hybrid	discØ 283	Gasol./el éc.	FWD	1598	110	150	10.21-	■

LISTA DE APLICACIONES - BUYERS GUIDE

1.6 Plug-In-Hybrid	discØ 283	Gasol./el éc.	FWD	1598	133	181	10.21-	■	
1.6 Plug-In-Hybrid (F4DGYT, F4DGZT)		Gasol./el éc.	FWD	1598	165	224	03.23-	■	
Astra-e (F4ZKWZ)		Eléctrico	FWD		115	156	03.23-	■	
1.5 Turbo D	discØ 283	Diesel	FWD	1499	96	131	10.21-	■	
COMBO Mk IV (K9) 06.18-					Box Body/MPV (LCVs-N1 Segment)				
1.2 (D 12 XHL (EB2ADT))	discØ 283	Gasolina	FWD	1199	81	110	02.19-	■	
Combo-e	discØ 283	Eléctrico	FWD		100	136	07.21-04.24	■	
1.5 D (D 15 DTL (DV5RE))	discØ 283	Diesel	FWD	1499	56	76	08.18-	■	
1.5 D (D 15 DT (DV5RD))	discØ 283	Diesel	FWD	1499	75	102	08.18-	■	
1.5 D (D 15 DTH (DV5RC))	discØ 283	Diesel	FWD	1499	96	131	08.18-	■	
1.6 D (B 16 DTL (DV6FE))	discØ 283	Diesel	FWD	1560	55	75	06.18-04.21	■	
1.6 D (B 16 DT (DV6FD))	discØ 283	Diesel	FWD	1560	73	99	06.18-04.20	■	
COMBO Mk IV (K9) 06.18-					MPV (Large MPV-M1 Segment)				
1.2 (D 12 XHL (EB2ADT))	discØ 283	Gasolina	FWD	1199	81	110	06.18-	■	
1.2 (F 12 XHT (EB2ADTS))	discØ 283	Gasolina	FWD	1199	96	131	07.19-	■	
1.5 (D 15 DT (DV5RD))	discØ 283	Diesel	FWD	1499	75	102	06.18-	■	
1.5 (D 15 DTH (DV5RC))	discØ 283	Diesel	FWD	1499	96	131	06.18-	■	