

# LISTA DE APLICACIONES - BUYERS GUIDE

## 182170

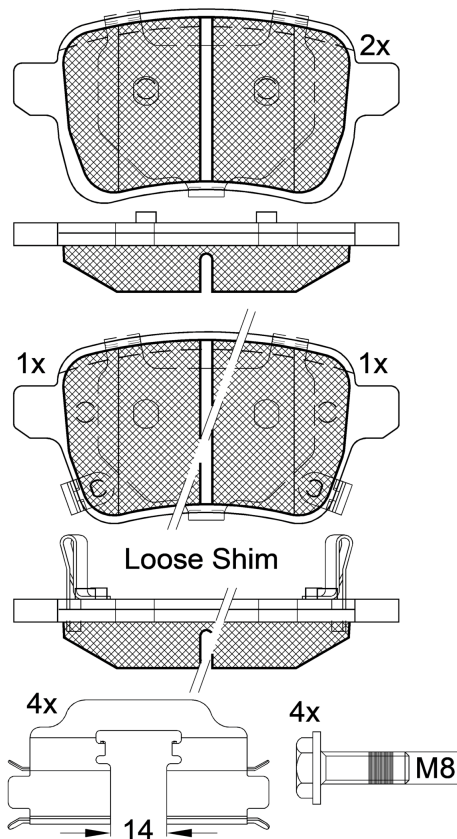


8 424073 108791

Qty: 300

Weight: 975

O.E.M.	MAKE
6 821 149 3AA	FIAT
7 736 633 6	FIAT
7 736 659 5	FIAT



1-Ref. 690334 E

## 182170

E 9 **90R-02A0111/3845**



Trw

95.85x47.7x17.7
95.85x48.3x17.7

WVA	FMSI
25973	D1722-8946
25974	
25975	
25818	
25819	
<b>MAKE</b>	
ABARTH	
FIAT	
FIAT (GAC)	



Trac.	CC	Kw	CV
-------	----	----	----



Front / Rear

### ABARTH

#### 500 / 595 / 695 01.08-

#### Hatchback (City car-A Segment)

Model	Year	Fuel	Drive	CC	Kw	CV	Date	
1.4 (312.AXD1A) (312 A1.000)	01/14-	Gasolina	FWD	1368	99	135	08.08-	■
1.4 (312.AXF1A, 312.AXF11, 312.AXD1A) (312 A3.000)	01/14-	Gasolina	FWD	1368	103	140	05.10-	■
1.4 (312.AXF11, 312.AXF1A, 312.AXD1A) (312 A1.000)	01/14-	Gasolina	FWD	1368	118	160	08.08-	■
1.4 (312.AXF11, 312.AXF1A, 312.AXD1A) (312 A3.000)	01/14-	Gasolina	FWD	1368	118	160	08.08-	■
1.4 (312.AXF11, 312.AXF1A, 312.AXD1A) (312 A3.000)	01/14-	Gasolina	FWD	1368	132	180	08.08-	■
1.4 (312.AXT1A) (312 A1.000)		Gasolina	FWD	1368	140	190	08.08-	■
1.4 (312.AXT1A) (312 A9.000)		Gasolina	FWD	1368	140	190	08.08-	■
1.4 (312.AXT1A)	01/14-	Gasolina	FWD	1368	140	190	08.08-	■

### FIAT

#### 500 L (351\_, 352\_) 09.12-

#### Hatchback (Mini MPV-M1 Segment)

Model	Year	Fuel	Drive	CC	Kw	CV	Date	
1.4 (199LYB1B) (843 A1.000)		Gasolina	FWD	1368	70	95	09.12-	■
1.4 (199LYF1B) (940 B7.000)		Gasolina	FWD	1368	88	120	10.13-	■
1.4		Gasolina	FWD	1368	93	127	05.14-	■
1.4 (312 A1.000)		Gasolina	FWD	1368	118	160	09.13-	■
1.4 (EAM)		Gasolina	FWD	1368	119	162	09.13-	■
1.4 LPG (199LYF1B) (940 B7.000)		Gasol./Gas (LPG)	FWD	1368	88	120	02.14-	■
1.6 D Multijet (199LYE1B) (552 80 444)		Diesel	FWD	1598	88	120	09.13-	■
1.6 D Multijet (199LYE1B) (940 C1.000)		Diesel	FWD	1598	88	120	09.13-	■
1.6 D Multijet (199LYE1B) (955 A3.000)		Diesel	FWD	1598	88	120	09.13-	■

# LISTA DE APLICACIONES - BUYERS GUIDE

<b>TIPO / EGEA (356_, 357_) 03.16-</b>					<b>Estate (Compact car-C Segment)</b>			
1.5 T4 Hybrid		Gasol./el éc.	FWD	1469	96	131	03.22-	■
<b>TIPO / EGEA (356_, 357_) 03.16-</b>					<b>Hatchback (Compact car-C Segment)</b>			
1.5 T4 Hybrid		Gasol./el éc.	FWD	1469	96	131	03.22-	■
<b>TIPO / EGEA (356_, 357_) 10.15-</b>					<b>Saloon (Compact car-C Segment)</b>			
1.5 T4 Hybrid		Gasol./el éc.	FWD	1469	96	131	03.22-	■
1.3 D (356SXB1A, 356SXH1A, 356SXD1A) (199 B1.000)		Diesel	FWD	1248	70	95	10.15-10.20	■
1.3 D (356SXB1A, 356SXH1A, 356SXD1A) (552 66 963)		Diesel	FWD	1248	70	95	10.15-10.20	■
1.3 D (356SXB1A, 356SXH1A, 356SXD1A) (552 83 775)		Diesel	FWD	1248	70	95	10.15-10.20	■
<b>FIAT (GAC)</b>								
<b>VIAGGIO 06.12-</b>					<b>Saloon (Compact car-C Segment)</b>			
1.4 T		Gasolina	FWD	1368	88	120	06.12-	■
1.4 T		Gasolina	FWD	1368	110	150	06.12-	■