

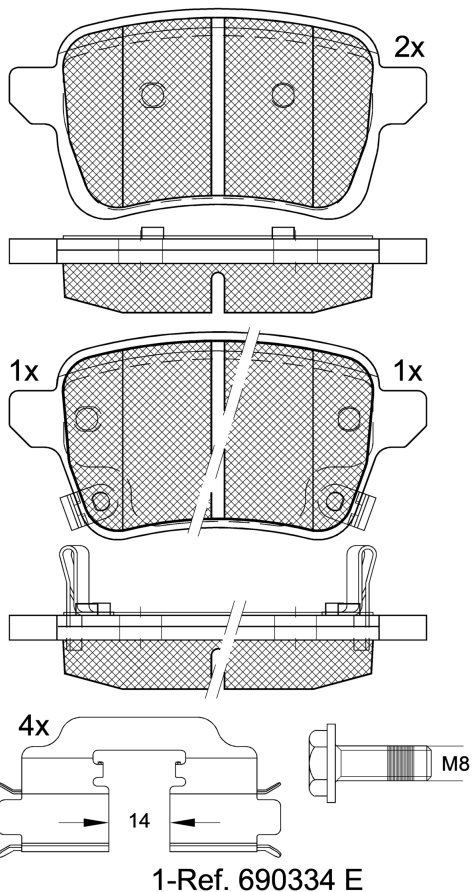
LISTA DE APLICACIONES - BUYERS GUIDE

182170-208



Qty: 944 Weight: 985

| O.E.M. | MAKE |
|-------------|------|
| 7 736 791 4 | FIAT |



182170-208

E 9 90R-02A0110-3845



Trw

95.85x47.7x17.6

| WVA | FMSI |
|-------|------------|
| 25818 | D1722-8946 |
| 25819 | |
| 25820 | |
| MAKE | |
| FIAT | |



| Trac. | CC | Kw | CV | | |
|-------|----|----|----|--|--------------|
| | | | | | Front / Rear |

FIAT

| TIPO / EGEA (356_, 357_) 03.16- | | | | | | | Estate (Compact car-C Segment) | | | |
|----------------------------------|----------|------------------|-----|------|----|-----|-----------------------------------|--|--|---|
| 1.0 (357WXN1A) | 5LR | Gasolina | FWD | 999 | 74 | 101 | 11.20- | | | ■ |
| 1.4 (356WXA1B) (843 A1.000) | 5LR, OPP | Gasolina | FWD | 1368 | 70 | 95 | 03.16-10.20 | | | ■ |
| 1.4 (356WXF1B) (940 B7.000) | 5LR | Gasolina | FWD | 1368 | 88 | 120 | 03.16-10.20 | | | ■ |
| 1.6 (356WXE11) (552 68 036) | 5LR | Gasolina | FWD | 1598 | 81 | 110 | 07.16-10.20 | | | ■ |
| 1.4 LPG (356WXF1B) (940 B7.000) | | Gasol./Gas (LPG) | FWD | 1368 | 88 | 120 | 05.16-10.20 | | | ■ |
| 1.5 T4 Hybrid | | Gasol./eléc. | FWD | 1469 | 96 | 131 | 03.22- | | | ■ |
| 1.3 D (356WXH1A) (552 66 963) | 5LR, OPP | Diesel | FWD | 1248 | 70 | 95 | 03.16- | | | ■ |
| 1.3 D (356WXH1A) (552 83 775) | 5LR, OPP | Diesel | FWD | 1248 | 70 | 95 | 03.16- | | | ■ |
| 1.6 D (356WXG11) (552 60 384) | | Diesel | FWD | 1598 | 84 | 114 | 09.16-10.20 | | | ■ |
| 1.6 D (356WXG11) (552 80 444) | | Diesel | FWD | 1598 | 84 | 114 | 09.16-10.20 | | | ■ |
| 1.6 D (356WXG1B) (552 60 384) | 5LR | Diesel | FWD | 1598 | 88 | 120 | 03.16-10.20 | | | ■ |
| 1.6 D (356WXG1B) (552 80 444) | 5LR | Diesel | FWD | 1598 | 88 | 120 | 03.16-10.20 | | | ■ |
| 1.6 Multijet (357WXG1) | 2LR | Diesel | FWD | 1598 | 96 | 131 | 11.20- | | | ■ |
| TIPO / EGEA (356_, 357_) 03.16- | | | | | | | Hatchback (Compact car-C Segment) | | | |
| 1.0 (357HXN1A) | 5LR | Gasolina | FWD | 999 | 74 | 101 | 11.20- | | | ■ |
| 1.4 (356HXA1B, 357) (843 A1.000) | 5LR | Gasolina | FWD | 1368 | 70 | 95 | 03.16- | | | ■ |
| 1.4 (356HXF1B) (940 B7.000) | 5LR | Gasolina | FWD | 1368 | 88 | 120 | 03.16-10.20 | | | ■ |
| 1.6 (356HXE11) (552 68 036) | 5LR | Gasolina | FWD | 1598 | 81 | 110 | 07.16-10.20 | | | ■ |
| 1.4 LPG (356HXF1B) (940 B7.000) | | Gasol./Gas (LPG) | FWD | 1368 | 88 | 120 | 05.16-10.20 | | | ■ |
| 1.5 T4 Hybrid | | Gasol./eléc. | FWD | 1469 | 96 | 131 | 03.22- | | | ■ |
| 1.3 D (356HXH1A) (552 66 963) | 5LR | Diesel | FWD | 1248 | 70 | 95 | 03.16- | | | ■ |

LISTA DE APLICACIONES - BUYERS GUIDE

| | | | | | | | | | |
|---|-----|------------------|-----|------|---------------------------------------|-----|-------------|---|--|
| 1.3 D (356HXH1A) (552 83 775) | 5LR | Diesel | FWD | 1248 | 70 | 95 | 03.16- | ■ | |
| 1.6 D (356HXG1B, 356HXG11) (552 60 384) | 5LR | Diesel | FWD | 1598 | 88 | 120 | 03.16-10.20 | ■ | |
| 1.6 D (356HXG1B, 356HXG11) (552 80 444) | 5LR | Diesel | FWD | 1598 | 88 | 120 | 03.16-10.20 | ■ | |
| 1.6 Multijet (357HXG1) | 5LR | Diesel | FWD | 1598 | 96 | 131 | 11.20- | ■ | |
| TIPO / EGEA (356_, 357_) 10.15- | | | | | Saloon (Compact car-C Segment) | | | | |
| 1.0 (357SXN1A) | 5LR | Gasolina | FWD | 999 | 74 | 101 | 11.20- | ■ | |
| 1.4 LPG (356SXF1B) (940 B7.000) | | Gasol./Gas (LPG) | FWD | 1368 | 88 | 120 | 05.16-10.20 | ■ | |
| 1.5 T4 Hybrid | | Gasol./eléc. | FWD | 1469 | 96 | 131 | 03.22- | ■ | |
| 1.3 D (356SXB1A, 356SXH1A, 356SXD1A) (199 B1.000) | | Diesel | FWD | 1248 | 70 | 95 | 10.15-10.20 | ■ | |
| 1.3 D (356SXB1A, 356SXH1A, 356SXD1A) (552 66 963) | | Diesel | FWD | 1248 | 70 | 95 | 10.15-10.20 | ■ | |
| 1.3 D (356SXB1A, 356SXH1A, 356SXD1A) (552 83 775) | | Diesel | FWD | 1248 | 70 | 95 | 10.15-10.20 | ■ | |
| 1.6 D (356SXG1B) (552 60 384) | 5LR | Diesel | FWD | 1598 | 88 | 120 | 10.15-10.20 | ■ | |
| 1.6 D (356SXG1B) (940 C1.000) | 5LR | Diesel | FWD | 1598 | 88 | 120 | 10.15-10.20 | ■ | |
| 1.6 Multijet (357SXG1) | 5LR | Diesel | FWD | 1598 | 96 | 131 | 11.20- | ■ | |