

LISTA DE APLICACIONES - BUYERS GUIDE

182172

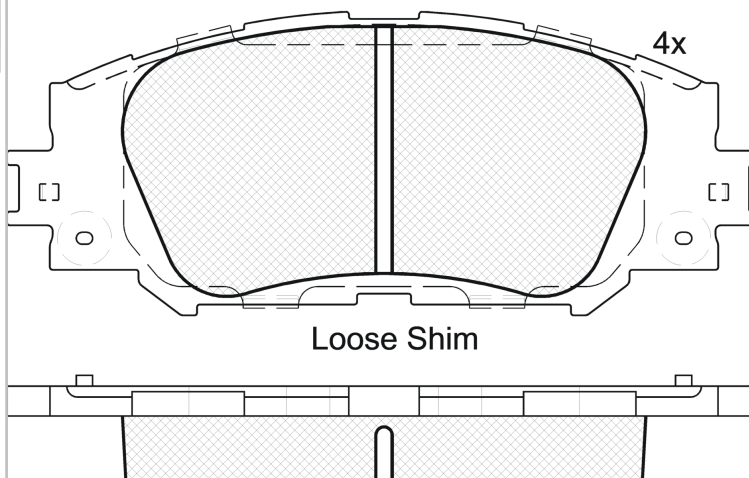


8 424073 108920

Qty: 300

Weight: 1.465

O.E.M.	MAKE
04465-02410	TOYOTA
04465-0D200	TOYOTA



182172

E 9 **90R-02A0111/3854**



Advics

139.1x56x18

FMSI

D1210-8969

MAKE

TOYOTA

TOYOTA (FAW)

TOYOTA (GAC)



Trac.	CC	Kw	CV
-------	----	----	----



Front / Rear

TOYOTA

							Saloon (Compact executive car-D Segment)					
COROLLA XI / COROLLA ALTIS (_E18_, ZRE1_) 06.13-												
1.3 Dual-VVTi (NRE180_, NRE180R) (1NR-FE)	01/14-, vehicles with ABS	Gasolina	FWD	1329	73	99	06.13-12.18	■				
1.6 (ZRE171) (1ZR-FE)		Gasolina	FWD	1598	89	121	10.13-12.18	■				
1.6 (ZRE171, ZRE181) (1ZR-FE)	01/14-, vehicles with ABS	Gasolina	FWD	1598	90	122	06.13-12.18	■				
1.6 BiFuel	vehicles with ABS	Gasolina	FWD	1598	90	122	06.13-	■				
1.6 (ZRE181_) (1ZR-FAE)	01/14-, vehicles with ABS	Gasolina	FWD	1598	97	132	06.13-12.18	■				
1.8 VVTi (ZRE172, ZRE182) (2ZR-FBE)		Gasolina	FWD	1798	103	140	06.13-08.19	■				
1.8 VVTi (ZRE172, ZRE182) (2ZR-FE)		Gasolina	FWD	1798	103	140	06.13-08.19	■				
1.8 VVTi		Gasolina	FWD	1798	104	141	09.13-	■				
1.8 Flex	vehicles with ABS	Gasolina	FWD	1798	106	144	03.15-	■				
1.8 VVT-i	vehicles with ABS	Gasolina	FWD	1798	111	151	12.13-	■				
2.0 VVT-i (ZRE173_) (3ZR-FE)	vehicles with ABS	Gasolina	FWD	1987	105	143	10.13-12.18	■				
2.0 VVT-i (ZRE173) (3ZR-FE)		Gasolina	FWD	1987	107	145	01.14-06.19	■				
2.0 VVT-i CNG (ZRE173) (3ZR-FE)		Gasol./Gas (CNG)	FWD	1987	105	143	12.13-12.18	■				
1.4 D-4D (NDE180_, NDE180R) (1ND-TV)	01/14-, vehicles with ABS	Diesel	FWD	1364	66	90	06.13-12.18	■				
COROLLA XI / COROLLA AXIO (_E16_) 05.12-							Saloon (Compact executive car-D Segment)					
1.3 (NRE160)	01/14-, vehicles with ABS	Gasolina	FWD	1329	70	95	05.12-	■				
1.5 4WD (NZE164)	01/14-, vehicles with ABS	Gasolina	4WD	1497	76	103	05.12-	■				
1.5 (NZE161)	01/14-, vehicles with ABS	Gasolina	FWD	1497	80	109	05.12-	■				
COROLLA XI / COROLLA FIELDER (_E16_) 05.12-							Estate (Compact executive car-D Segment)					
1.5 (NZE161G)		Gasolina	FWD	1497	80	109	05.12-04.20	■				

LISTA DE APLICACIONES - BUYERS GUIDE

1.5 Hybrid (NKE165G)	vehicles with ABS	Gasol./el éc.	FWD	1496	54	73	10.14-	■
TOYOTA (FAW)								
COROLLA (_E18_) 06.14-					Saloon (Compact executive car-D Segment)			
1.6 (ZRE181)		Gasolina	FWD	1598	90	122	06.14-12.17	■
1.8 (ZRE182)		Gasolina	FWD	1798	103	140	06.14-	■
TOYOTA (GAC)								
LEVIN (ZRE18_, ZWE18_) 10.15-					Saloon (Supermini car-B Segment)			
1.6 (ZRE181)		Gasolina	FWD	1598	90	122	07.14-12.16	■
1.8 (ZRE182)		Gasolina	FWD	1798	103	140	07.14-	■