

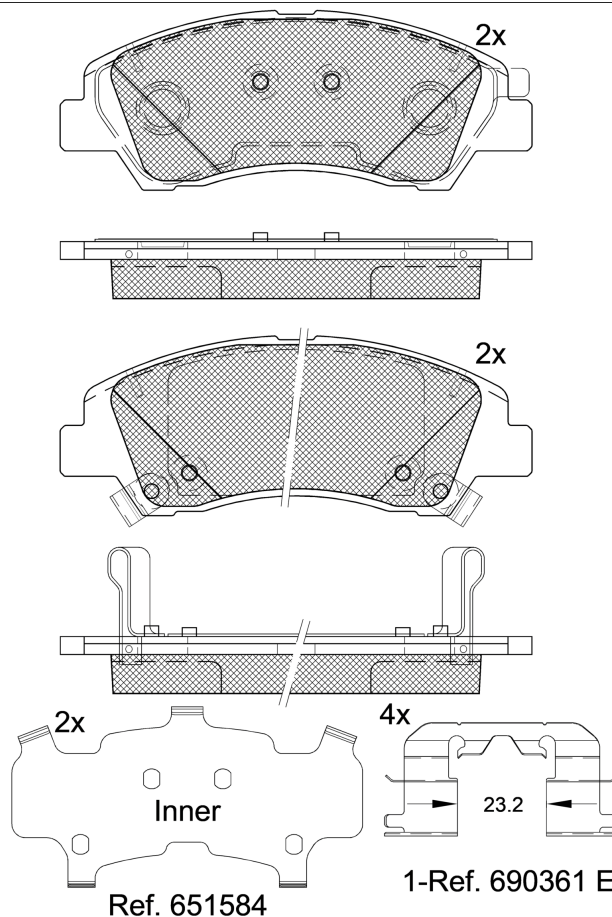
LISTA DE APLICACIONES - BUYERS GUIDE

182178-233



Qty: 300 Weight: 1.285

O.E.M.	MAKE
58101-K7A00	HYUNDAI



182178-233

E 9 90R-02A0111/3976



Mando

132.6x50.5x17.3

WVA	MAKE
25976	HYUNDAI
25977	
25978	



	Trac.	CC	Kw	CV			Front / Rear
--	-------	----	----	----	--	--	--------------

HYUNDAI

i10 II / GRAND i10 (BA, IA) 08.13-

Hatchback (City car-A Segment)

Model	Rim	Fuel	Trac.	CC	Kw	CV	Year	
1.0 (G3LA)	Rim 13	Gasolina	FWD	998	49	67	08.13-12.19	■
1.2 (G4AG)		Gasolina	FWD	1197	60	82	09.13-12.17	■
1.2 (G4AG)		Gasolina	FWD	1197	61	83	01.18-12.21	■
1.2 (G4LA)	Rim 13	Gasolina	FWD	1248	64	87	12.13-12.19	■
1.2 (G4LA)		Gasolina	FWD	1248	65	88	09.14-07.19	■
1.0 LPG (B3LA)	Rim 13	Gasol./Gas (LPG)	FWD	998	49	67	02.14-12.19	■
1.0 LPG (B3LA)	Rim 13	Gasol./Gas (LPG)	FWD	998	51	69	07.14-08.16	■
1.1 CRDi (D3FA)		Diesel	FWD	1120	52	71	12.13-	■
1.2 CRDI (D3FB)		Diesel	FWD	1186	55	75	09.16-	■

i10 II / GRAND i10 12.13-

Saloon (City car-A Segment)

1.2 (G4AG)		Gasolina	FWD	1197	61	83	12.13-	■
1.2 (G4AG)		Gasolina	FWD	1197	61	83	03.14-05.17	■
1.2 (G4LA)		Gasolina	FWD	1248	64	87	08.15-	■
1.2 (G4LA)		Gasolina	FWD	1248	65	88	12.13-	■
1.1 D (D3FA)		Diesel	FWD	1120	53	72	03.14-02.17	■

i10 II Cargo (BA, IA) 08.13-

Hatchback Van (LCVs-N1 Segment)

1.0 (G3LA)		Gasolina	FWD	998	49	67	09.16-	■
1.2 (G4LA)		Gasolina	FWD	1248	64	87	09.16-	■

i10 III (AC3, AI3) 09.19-

Hatchback (City car-A Segment)

1.0 MPi		Gasolina	FWD	998	46	63	03.24-	■
1.0 MPi (G3LD)	Rim 14	Gasolina	FWD	998	49	67	09.19-	■

LISTA DE APLICACIONES - BUYERS GUIDE

1.0 T-GDI (G3LE)	Rim 14	Gasolina	FWD	998	74	100	02.20-	■	
1.2 MPI		Gasolina	FWD	1197	58	79	03.24-	■	
1.2 MPI (G4LA 11)	Rim 14	Gasolina	FWD	1197	62	84	09.19-	■	
1.2 MPI (G4LF)	Rim 14	Gasolina	FWD	1197	62	84	09.19-	■	
1.2 CNG	Rim 14	Gas natural (CNG/LNG)	FWD	1197	51	69	09.19-	■	
1.2 CRDI	Rim 14	Diesel	FWD	1186	55	75	09.19-	■	
i10 III (A13) 02.20-					Saloon (City car-A Segment)				
1.0 T-GDI (G3LC)		Gasolina	FWD	998	74	101	02.20-	■	
1.2 MPI (G4LA 11)		Gasolina	FWD	1197	61	83	02.20-	■	
1.2 CNG (G4LA 11)		Gasol./Gas (CNG)	FWD	1197	51	69	02.20-	■	
1.2 CRDI (D3FB)		Diesel	FWD	1186	55	75	02.20-	■	
XCENT 03.14-					Saloon (Supermini car-B Segment)				
1.2		Gasolina	FWD	1197	61	83	03.14-	■	
1.2 CNG		Gasol./Gas (CNG)	FWD	1197	61	83	04.14-03.20	■	
1.1 D		Diesel	RWD	1120	53	72	03.14-	■	
1.2 CRDI (D3FB)		Diesel	FWD	1186	55	75	04.17-	■	