

LISTA DE APLICACIONES - BUYERS GUIDE

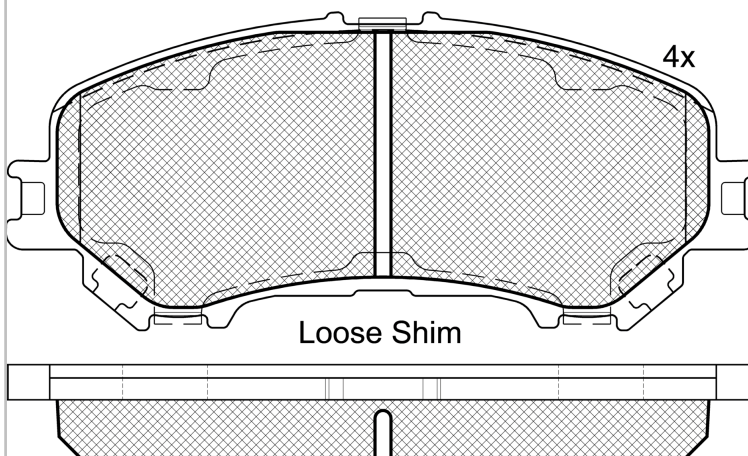
182181



Qty: 300

Weight: 1.890

O.E.M.	MAKE
41 06 04E A0A	RENAULT
86 60 004 059	RENAULT
86 60 004 559	RENAULT
D1060-4BA0A	NISSAN
D1060-4EA0A	NISSAN
D1060-4EA0ARV	NISSAN
D1060-4EA0A-VA	NISSAN
D1060-6MT0A	NISSAN
D1M60-4BA0A	NISSAN



2x
1-Ref. 610569 E

182181

E 9 90R-02A0111/4072



Akebono

141.85x59.8x17.9

WVA	FMSI
22065	D1737-8449
25970	
MAKE	
NISSAN	
NISSAN (DFAC)	
RENAULT	
RENAULT (DFAC)	



Trac.	CC	Kw	CV
-------	----	----	----



Front / Rear

NISSAN

KICKS (P15_, PP15_) 01.16-

SUV (Mini SUV-J Segment)

1.6 Flex		Gasol./Etanol	FWD	1598	84	114	08.16-	■
----------	--	---------------	-----	------	----	-----	--------	---

QASHQAI II SUV (J11, J11_) 11.13-

SUV (Compact SUV-J Segment)

1.2 DIG-T (HRA2DDT)		Gasolina	FWD	1197	85	116	11.13-08.18	■
1.3 DIG-T (HR13DDT)		Gasolina	FWD	1332	103	140	08.18-09.20	■
1.3 DIG-T		Gasolina	FWD	1332	116	158	10.20-04.21	■
1.3 DIG-T (HR13DDT)		Gasolina	FWD	1332	118	160	08.18-09.20	■
1.6 DIG-T (MR16DDT)		Gasolina	FWD	1618	120	163	02.14-08.18	■
2.0 (MR20DD)		Gasolina	FWD	1997	103	140	01.15-04.21	■
2.0 ALL MODE 4x4-i		Gasolina	4WD	1997	103	140	01.15-04.21	■
2.0 (MR20DD)		Gasolina	FWD	1997	104	141	07.17-04.21	■
2.0 ALL MODE 4x4-i		Gasolina	4WD	1997	104	141	07.17-04.21	■
2.0 (J11E) (MR20DD)		Gasolina	FWD	1997	106	144	06.14-04.21	■
2.0 ALL MODE 4x4-i (J11R) (MR20DD)		Gasolina	4WD	1997	106	144	12.13-04.21	■
1.5 dCi (K9K 636)		Diesel	FWD	1461	81	110	11.13-08.18	■
1.5 dCi (K9K 646)		Diesel	FWD	1461	81	110	11.13-08.18	■
1.5 dCi (K9K 872)		Diesel	FWD	1461	85	116	06.18-09.20	■
1.5 dCi (L15BR)		Diesel	FWD	1461	85	116	06.18-09.20	■
1.6 dCi (R9M)	Manual Trans.6-speed	Diesel	FWD	1598	96	130	11.13-08.18	■
1.6 dCi ALL MODE 4x4-i (R9M)		Diesel	4WD	1598	96	130	11.13-08.18	■
1.7 dCi (R9N 401)		Diesel	FWD	1749	110	150	01.19-09.20	■
1.7 dCi ALL MODE 4x4-i (R9N 401)		Diesel	4WD	1749	110	150	01.19-09.20	■

LISTA DE APLICACIONES - BUYERS GUIDE

QASHQAI II VAN (J11_) 11.13-					SUV Van (Compact SUV-J Segment)			
1.5 dCi		Diesel	FWD	1461	81	110	05.15-08.18	■
1.5 dCi		Diesel	FWD	1461	85	116	06.18-09.20	■
ROGUE 01.07-12.15					SUV (Compact SUV-J Segment)			
2.5 (QR25DE)	Eq.V_ S, SL, SV	Gasolina	FWD	2488	127	173	01.07-12.15	■
2.5 AWD (QR25DE)		Gasolina	4WD	2488	127	173	01.07-12.13	■
X-TRAIL III / ROGUE II (T32_, T32R, T32RR) 10.13-					SUV (Compact SUV-J Segment)			
1.3 DIG-T (HR13DDT)		Gasolina	FWD	1332	118	160	04.19-	■
2.5 (T32) (QR25DE)	Argentina	Gasolina	FWD	2488	126	171	12.13-	■
2.5 ALL MODE 4x4-i (NT32) (QR25DE)	Argentina	Gasolina	4WD	2488	126	171	12.13-	■
NISSAN (DFAC)								
QASCHQAI (J10) 12.07-					SUV (Compact SUV-J Segment)			
1.2 T		Gasolina	FWD	1197	86	117	10.15-	■
2.0 Alas 4 ruedas		Gasolina	4WD	1997	106	144	01.11-12.15	■
2.0		Gasolina	FWD	1997	110	150	10.15-	■
QASCHQAI II (J11) 10.15-					SUV (Compact SUV-J Segment)			
2.0 (MR20)		Gasolina	FWD	1997	111	151	08.20-	■
2.0 (MR20)		Gasolina	FWD	1997	113	154	04.19-	■
X-TRAIL (T32) 02.14-					SUV (Compact SUV-J Segment)			
2.0 2WD (MR20DD)		Gasolina	FWD	1197	111	151	08.20-	■
2.0 (MR20DD)		Gasolina	FWD	1197	113	154	08.18-	■
2.0 (MR20DD)		Gasolina	FWD	1997	110	150	03.14-12.18	■
2.0 Alas 4 ruedas (MR20DD)		Gasolina	4WD	1997	110	150	03.14-12.18	■
2.5 4WD (QR25)		Gasolina	4WD	2488	133	181	08.20-	■
2.5 A las 4 ruedas		Gasolina	FWD	2488	137	186	02.14-	■
RENAULT								
KADJAR (HA_, HL_) 06.15-					SUV (Compact SUV-J Segment)			
1.2 TCe 130 (HLMR) (H5F 408)		Gasolina	FWD	1197	96	130	06.15-	■
1.3 TCe 140 (HLNB, HLN1) (H5H 470)		Gasolina	FWD	1332	103	140	08.18-	■
1.3 TCe 160 (HLN2)		Gasolina	FWD	1332	116	158	07.21-	■
1.3 TCe 160 (HLNC) (H5H 470)		Gasolina	FWD	1332	117	160	08.18-	■
1.6 TCe 165 (HLMH)		Gasolina	FWD	1618	120	163	11.16-	■
1.5 dCi 110 (HLA3) (K9K 646)		Diesel	FWD	1461	81	110	06.15-	■
1.5 dCi 110 (HLA3) (K9K 647)		Diesel	FWD	1461	81	110	06.15-	■
1.5 dCi 110 (HLA3) (K9K 648)		Diesel	FWD	1461	81	110	06.15-	■
1.5 dCi 110 (HLA3) (K9K 649)		Diesel	FWD	1461	81	110	06.15-	■
1.5 BLUE dCi 115 (HLA6) (K9K 872)		Diesel	FWD	1461	85	116	08.18-	■
1.5 BLUE dCi 115 (HLA6) (K9K 873)		Diesel	FWD	1461	85	116	08.18-	■
1.6 dCi 130 (HLA4) (R9M 414)		Diesel	FWD	1598	96	130	06.15-	■
1.6 dCi 130 4x4 (HLA4) (R9M 414)		Diesel	4WD	1598	96	130	06.15-	■
1.7 Blue dCi 150 (HLA7) (R9N 401)		Diesel	FWD	1749	110	150	08.18-	■
1.7 Blue dCi 150 4WD (HLA7) (R9N 401)		Diesel	4WD	1749	110	150	08.18-	■
RENAULT (DFAC)								
KADJAR 03.16-					SUV (Compact SUV-J Segment)			
1.2 T (H5F 408)		Gasolina	FWD	1197	86	117	04.17-	■
2.0 (M5R)		Gasolina	FWD	1997	110	150	03.16-	■
2.0 AWD (M5R)		Gasolina	4WD	1997	110	150	03.16-	■
2.0 (M5R)		Gasolina	FWD	1997	113	154	11.18-	■

LISTA DE APLICACIONES - BUYERS GUIDE

KOLEOS 11.16-				SUV (Compact SUV-J Segment)			
2.0 (M5R)	Gasolina	FWD	1997	110	150	11.16-	■
SCe230 (M5R)	Gasolina	FWD	1997	113	154	04.19-	■
2.5 SCe230 (QR25)	Gasolina	FWD	2488	137	186	11.16-	■
2.5 SCe230 AWD (QR25)	Gasolina	4WD	2488	137	186	11.16-	■