

LISTA DE APLICACIONES - BUYERS GUIDE

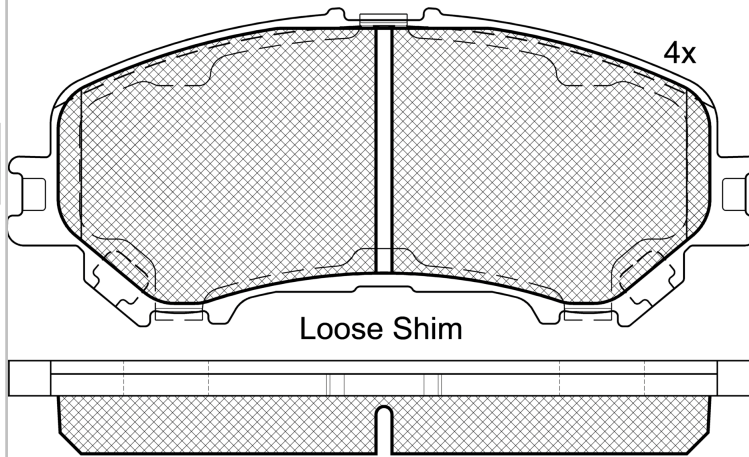
182181-200



Qty: 300

Weight: 1.805

O.E.M.	MAKE
41 06 015 96R	RENAULT
D1060-4CA0A	NISSAN



1-Ref. 610569 E

182181-200

E 9 90R-02A0111/4222



Akebono

141.85x59.8x16.7

WVA

22065

259701

MAKE

NISSAN

NISSAN (DFAC)

RENAULT



Trac.	CC	Kw	CV
-------	----	----	----



Front / Rear

NISSAN

QASHQAI II SUV (J11, J11_) 11.13-						SUV (Compact SUV-J Segment)			
1.7 dCi ALL MODE 4x4-i (R9N 401)		Diesel	4WD	1749	110	150	01.19-09.20	■	
X-TRAIL III / ROGUE II (T32) 10.13-						SUV Van (Compact SUV-J Segment)			
dCi	Eq.V_ 2 seating row	Diesel	FWD	1598	96	131	04.14-	■	
dCi 4x4	Eq.V_ 2 seating row	Diesel	4WD	1598	96	131	04.14-	■	
X-TRAIL III / ROGUE II (T32_, T32R, T32RR) 10.13-						SUV (Compact SUV-J Segment)			
1.3 DIG-T		Gasolina	FWD	1332	116	158	06.21-	■	
1.3 DIG-T (HR13DDT)		Gasolina	FWD	1332	118	160	04.19-	■	
1.6 DIG-T (T32) (MR16DDT)	Eq.V_ 2 seating row	Gasolina	FWD	1618	120	163	06.15-	■	
2.0 (MR20DD)		Gasolina	FWD	1997	103	140	10.16-	■	
2.0 (MR20DD)		Gasolina	FWD	1997	104	141	10.16-	■	
2.0 (T32)	Eq.V_ 2 seating row	Gasolina	FWD	1997	104	141	09.14-	■	
2.0	Eq.V_ 2 seating row	Gasolina	FWD	1997	106	144	12.14-	■	
2.0 (T32) (MR20DD)	Eq.V_ 2 seating row	Gasolina	FWD	1997	106	144	02.14-	■	
2.0 ALL MODE 4x4-i	Eq.V_ 2 seating row	Gasolina	4WD	1997	106	144	12.14-	■	
2.0 ALL MODE 4x4-i	Eq.V_ 2 seating row	Gasolina	4WD	1997	106	144	04.16-	■	
2.0 ALL MODE 4x4-i (NT32) (MR20DD)	Eq.V_ 2 seating row	Gasolina	4WD	1997	106	144	09.14-	■	
2.0 (T32)	Eq.V_ 2 seating row	Gasolina	FWD	1997	108	147	12.13-	■	
2.0 ALL MODE 4x4-i (NT32)	Eq.V_ 2 seating row	Gasolina	4WD	1997	108	147	12.13-	■	
2.5 ALL MODE 4x4-i (QR25DE)		Gasolina	4WD	2488	122	166	10.14-	■	
2.5 (T32) (QR25DE)	Eq.V_ 2 seating row	Gasolina	FWD	2488	124	169	01.15-	■	
2.5 ALL MODE 4x4-i (NT32) (QR25DE)	Eq.V_ 2 seating row	Gasolina	4WD	2488	124	169	10.14-	■	
2.5 (T32) (QR25DE)	Eq.V_ 2 seating row, Argentina	Gasolina	FWD	2488	126	171	12.13-	■	

LISTA DE APLICACIONES - BUYERS GUIDE

2.5 ALL MODE 4x4-i	Eq.V_ 2 seating row	Gasolina	4WD	2488	126	171	04.16-	■
2.5 ALL MODE 4x4-i (NT32) (QR25DE)	Eq.V_ 2 seating row, Argentina	Gasolina	4WD	2488	126	171	12.13-	■
2.5 (QR25DE)		Gasolina	FWD	2488	127	170	10.13-	■
2.5 ALL MODE 4x4-i		Gasolina	4WD	2488	127	170	10.13-	■
2.0 Flexfuel (T32) (MR20DD)	Eq.V_ 2 seating row	Gasol./Etanol	FWD	1997	106	144	09.14-	■
2.0 Flexfuel ALL MODE 4x4-i (MR20DD)	Eq.V_ 2 seating row	Gasol./Etanol	4WD	1997	106	144	02.14-	■
2.0 Flexfuel ALL MODE 4x4-i	Eq.V_ 2 seating row	Gasol./Etanol	4WD	1997	106	144	12.14-	■
2.5 Flexfuel ALL MODE 4x4-i (NT32) (QR25DE)	Eq.V_ 2 seating row	Gasol./Etanol	4WD	2488	126	171	02.14-	■
2.5 Flexfuel ALL MODE 4x4-i (NT32)	Eq.V_ 2 seating row	Gasol./Etanol	4WD	2488	126	171	12.14-	■
2.0 Hybrid (MR20DD)	Eq.V_ 2 seating row	Gasol./eléc.	FWD	1997	132	180	09.14-	■
2.0 Hybrid ALL MODE 4x4-i (HNT32) (MR20DD)	Eq.V_ 2 seating row	Gasol./eléc.	4WD	1997	132	180	09.14-	■
2.0 Hybrid (HT32)	Eq.V_ 2 seating row	Gasol./eléc.	FWD	1997	138	188	11.16-	■
2.0 Hybrid ALL MODE 4x4-i (HNT32)	Eq.V_ 2 seating row	Gasol./eléc.	4WD	1997	138	188	11.16-	■
1.6 dCi	Eq.V_ 2 seating row	Diesel	FWD	1598	96	130	12.14-	■
1.6 dCi (T32) (R9M)	Eq.V_ 2 seating row	Diesel	FWD	1598	96	130	04.14-	■
1.6 dCi ALL MODE 4x4-i	Eq.V_ 2 seating row	Diesel	4WD	1598	96	130	04.16-	■
1.6 dCi ALL MODE 4x4-i (NT32) (R9M)	Eq.V_ 2 seating row	Diesel	4WD	1598	96	130	04.14-	■
2.0 dCi (T32) (M9R)	Eq.V_ 2 seating row	Diesel	FWD	1995	130	177	10.16-	■
2.0 dCi ALL MODE 4x4-i (NT32) (M9R)	Eq.V_ 2 seating row	Diesel	4WD	1995	130	177	10.16-	■
NISSAN (DFAC)								
QASCHQAI II (J11) 10.15-					SUV (Compact SUV-J Segment)			
2.0 (MR20)		Gasolina	FWD	1997	111	151	08.20-	■
X-TRAIL (T32) 02.14-					SUV (Compact SUV-J Segment)			
2.5 A las 4 ruedas	Eq.V_ 2 seating row	Gasolina	FWD	2488	137	186	02.14-	■
RENAULT								
KOLEOS II (HC_) 04.16-					SUV (Compact SUV-J Segment)			
1.3 TCe 160 (HCN2) (H5H 470)		Gasolina	FWD	1332	116	158	07.20-	■
2.0 TCe (M5R 402)		Gasolina	FWD	1997	107	145	04.16-	■
2.5 Sce	Eq.V_ EQPEUR,EQPEXP	Gasolina	FWD	2488	126	170	04.16-	■
2.5 Sce 4WD	Eq.V_ EQPEUR,EQPEXP	Gasolina	4WD	2488	126	171	04.16-	■
1.6 dCi 130 (R9M 409)	Eq.V_ EQPEUR,EQPEXP	Diesel	FWD	1598	96	130	04.16-	■
1.6 dCi 130 (R9M 414)	Eq.V_ EQPEUR,EQPEXP	Diesel	FWD	1598	96	130	04.16-	■