

# LISTA DE APLICACIONES - BUYERS GUIDE

## 182183

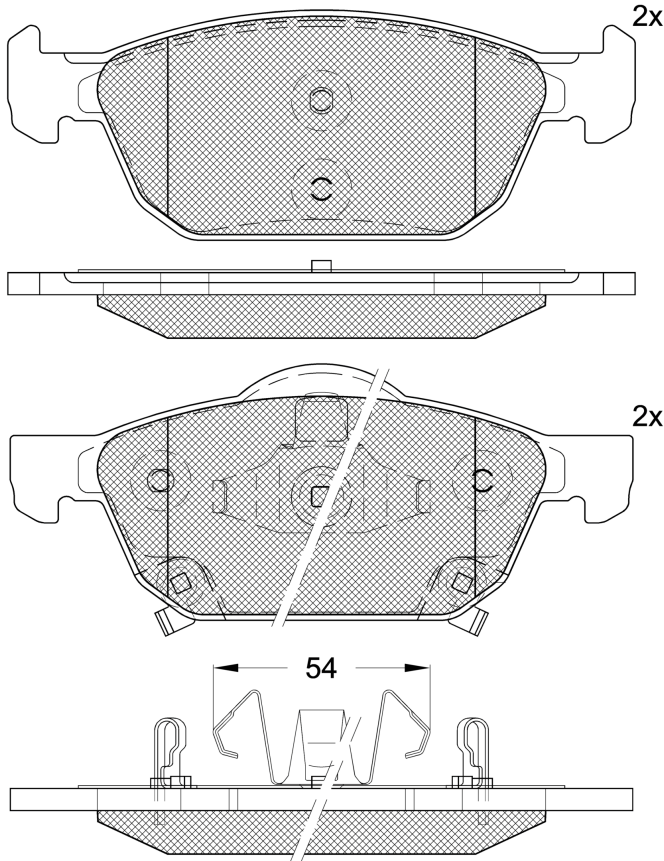


8 424073 109323

Qty: 300

Weight: 1.765

O.E.M.	MAKE
45022-TGN-G00	HONDA
45022-TV0-E00	HONDA
45022-TV0-E01	HONDA
45022-TV0-E02	HONDA
45022-TV2-E00	HONDA
45022-TV2-E01	HONDA
45022-TV2-E02	HONDA



## 182183

E 9 90R-02A0111/3777



Ate - Teves

154.9x63.8x17.3
156.1x57.3x17.3

WVA	FMSI
25804	D2147-9387
25805	
25806	

MAKE
HONDA



Trac.	CC	Kw	CV		
Front / Rear					

### HONDA

CIVIC IX 01.12-						Coupe (Compact car-C Segment)			
1.8		Gasolina	FWD	1798	104	141	01.12-		■
2.4		Gasolina	FWD	2354	138	188	09.14-		■
2.4		Gasolina	FWD	2354	150	204	01.12-		■
2.4		Gasolina	FWD	2354	152	206	11.14-12.15		■
CIVIC IX (FK) 02.12-						Hatchback (Compact car-C Segment)			
1.4 i-VTEC (FK1) (L13Z4)		Gasolina	FWD	1339	73	99	02.12-12.16		■
1.8 i-VTEC (FK2) (R18Z4)	Rim 15, Rim 16	Gasolina	FWD	1798	104	141	02.12-12.16		■
1.6 i-DTEC (FK3) (N16A1)		Diesel	FWD	1597	88	120	02.13-12.16		■
2.2 i-DTEC (FK3) (N22B4)		Diesel	FWD	2199	110	150	02.12-12.16		■
CIVIC IX (FB) 09.11-						Saloon (Compact car-C Segment)			
1.5 Hybrid		Gasolina	FWD	1497	82	112	06.12-		■
1.8 Flex		Gasolina	FWD	1799	103	140	06.14-		■
1.8 (FB2) (R18Z1)		Gasolina	FWD	1799	104	141	02.12-12.16		■
1.8 (FB2) (R18Z4)		Gasolina	FWD	1799	104	141	02.12-12.16		■
1.8 (FB2) (R18A1)		Gasolina	FWD	1799	104	141	09.11-12.16		■
2.0 (FB3)		Gasolina	FWD	1997	114	155	06.12-12.16		■
1.5 IMA (FB4)		Gasol./el éc.	FWD	1497	67	91	02.14-12.16		■
CIVIC IX Tourer (FK) 01.14-						Estate (Compact car-C Segment)			
1.8 i-VTEC (FK2) (R18Z4)		Gasolina	FWD	1798	104	141	01.14-12.16		■
1.6 i-DTEC (FK3) (N16A1)		Diesel	FWD	1597	88	120	01.14-12.16		■

# LISTA DE APLICACIONES - BUYERS GUIDE

<b>CIVIC X (FC_, FK_) 09.16-</b>					<b>Hatchback (Compact car-C Segment)</b>			
1.0 VTEC (P10A2)	NoVEq S	Gasolina	FWD	988	93	126	07.18-12.22	■
1.0 VTEC (FK6) (P10A2)	NoVEq S	Gasolina	FWD	988	95	129	02.17-12.22	■
1.5 VTEC (FK7) (L15B7)		Gasolina	FWD	1498	134	182	02.17-12.22	■
1.6 i-DTEC (FK9) (N16A1)		Diesel	FWD	1597	88	120	01.18-12.22	■
<b>CIVIC X (FC_) 09.15-</b>					<b>Saloon (Compact car-C Segment)</b>			
1.0 iVTEC (FC9) (P10A4)		Gasolina	FWD	988	93	126	07.18-12.22	■
1.5 RS Turbo (FC1) (L15B7)		Gasolina	FWD	1498	127	173	06.16-08.22	■
1.5 RS Turbo (FC1) (L15BB)		Gasolina	FWD	1498	127	173	06.16-08.22	■
1.5 VTEC (FC1) (L15B7)		Gasolina	FWD	1498	134	182	08.16-12.22	■
1.5 VTEC (FC1) (L15BB)		Gasolina	FWD	1498	134	182	08.16-12.22	■
1.6 i-DTEC (FC8) (N16A1)	Manual Trans.6-speed	Diesel	FWD	1597	88	120	05.18-12.22	■