

LISTA DE APLICACIONES - BUYERS GUIDE

182184

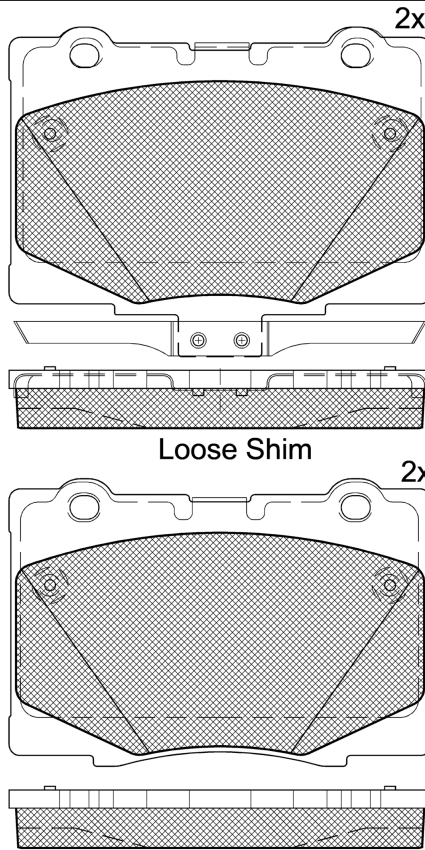


8 424073 109354

Qty: 300

Weight: 2.130

O.E.M.	MAKE
45022-SJA-E00	HONDA



182184

E 9 90R-02A0111/2803



Akebono

116.6x79.5x17.2
116.6x91.1x17.2

WVA
25117
25118

MAKE
ACURA
HONDA



Trac.	CC	Kw	CV
-------	----	----	----



Front / Rear

ACURA

RL II 10.04-	Saloon (Luxury car-F Segment)							
3.5 i-VTEC AWD	Gasolina	4WD	3471	217	295	10.06-12.08	■	
3.7AWD	Gasolina	4WD	3664	226	307	09.08-04.13	■	

HONDA

LEGEND IV (KB_) 10.04-	Saloon (Luxury car-F Segment)							
3.5 V6 4WD (KB1) (J35A8)	01/08-	Gasolina	4WD	3471	217	295	05.06-12.12	■
3.7 VTEC V6 4WD (KB2) (J37A2)		Gasolina	4WD	3664	217	295	07.08-12.12	■
3.7 VTEC V6 4WD (KB2) (J37A3)		Gasolina	4WD	3664	217	295	07.08-12.12	■
3.7 VTEC V6 4WD (KB2) (J37A2)		Gasolina	4WD	3664	226	307	08.08-12.13	■
3.7 VTEC V6 4WD (KB2) (J37A3)		Gasolina	4WD	3664	226	307	08.08-12.13	■