

# LISTA DE APLICACIONES - BUYERS GUIDE

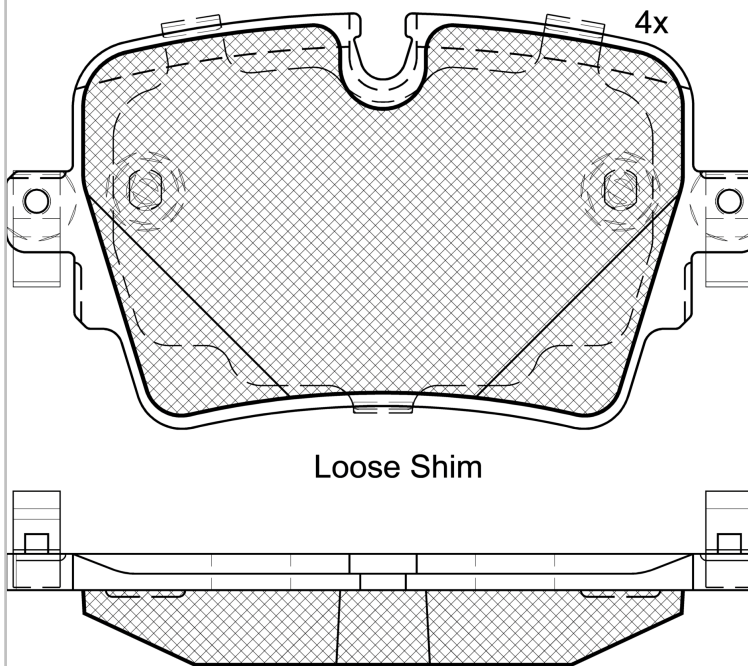
## 182187



Qty: 300

Weight: 1.475

O.E.M.	MAKE
C2D 49907	JAGUAR
C2D60941	JAGUAR
T2R12793	JAGUAR
T2R61945	JAGUAR
T2R7946	JAGUAR



Loose Shim

## 182187

E 9 90R-02A0111/4153



Trw

114.3x63x17.4

WVA	FMSI
22081	D1753-8981
25742	
MAKE	
JAGUAR	



Trac.	CC	Kw	CV
-------	----	----	----



Front / Rear

### JAGUAR

F-TYPE (X152) 10.12-	Convertible (Sports car-S Segment)							
2.0 Ti4 (PT204)	Rim 19, -ch K09028, discØ 280, not ceramic disc, Syst. 19"	Gasolina	RWD	1997	221	300	07.17-	■
3.0 SCV6 (306PS)	discØ 280	Gasolina	RWD	2995	250	340	10.12-	■
3.0 SCV6 S (306PS)	discØ 280	Gasolina	RWD	2995	280	380	10.12-	■
3.0 SCV6 S AWD (306PS)	Rim 19, not ceramic brakes, discØ 280, not ceramic disc, Syst. 19"	Gasolina	4WD	2995	280	380	12.14-	■
SCV6 400 SPORT (306PS)	Rim 19, not ceramic brakes, - ch K09028, discØ 280, not ceramic disc, Syst. 19"	Gasolina	RWD	2995	294	400	11.16-	■
SCV6 400 SPORT AWD (306PS)	Rim 19, not ceramic brakes, - ch K09028, discØ 280, not ceramic disc, Syst. 19"	Gasolina	4WD	2995	294	400	11.16-	■
5.0 SCV8 P450 (AJ133G2)	discØ 280, not ceramic disc, Syst. 19"	Gasolina	RWD	5000	331	450	12.19-	■
5.0 SCV8 P450 AWD (AJ133G2)	discØ 280, not ceramic disc, Syst. 19"	Gasolina	4WD	5000	331	450	12.19-	■
5.0 SCV8 S (508PS)	Rim 19, discØ 280, not ceramic disc	Gasolina	RWD	5000	364	495	10.12-	■
5.0 SCV8 R (508PS)	Rim 19, not ceramic brakes, discØ 280, not ceramic disc, Syst. 19"	Gasolina	RWD	5000	405	551	10.13-	■
5.0 SCV8 R AWD (508PS)	Rim 19, not ceramic brakes, discØ 280, not ceramic disc, Syst. 19"	Gasolina	4WD	5000	405	551	12.14-	■
5.0 SCV8 SVR (508PS)	Rim 19, not ceramic brakes, - ch K09028, discØ 280, not ceramic disc, Syst. 19"	Gasolina	RWD	5000	423	575	05.15-	■
5.0 SCV8 SVR / SCV8 P575 R AWD (508PS)	Rim 19, not ceramic brakes, - ch K09028, discØ 280, not ceramic disc, Syst. 19"	Gasolina	4WD	5000	423	575	12.15-	■

## LISTA DE APLICACIONES - BUYERS GUIDE

5.0 SCV8 SVR / SCV8 P575 R AWD (AJ133G2)	Rim 19, not ceramic brakes, - ch K09028, discØ 280, not ceramic disc, Syst. 19"	Gasolina	4WD	5000	423	575	12.15-	■	
<b>F-TYPE (X152) 09.13-</b>					<b>Coupe (Sports car-S Segment)</b>				
2.0 Ti4 (PT204)	Rim 19, -ch K09028, discØ 280, Syst. 19"	Gasolina	RWD	1997	221	300	07.17-	■	
3.0 SCV6 (306PS)	Rim 19, discØ 280, Syst. 19"	Gasolina	RWD	2995	250	340	10.13-	■	
3.0 SCV6 AWD (306PS)	Syst. 19"	Gasolina	4WD	2995	250	340	08.17-	■	
3.0 SCV6 S (306PS)	Rim 19, -ch K09028, Syst. 19", discØ 280	Gasolina	RWD	2995	280	380	10.13-	■	
3.0 SCV6 S AWD (306PS)	Rim 19, not ceramic brakes, discØ 280, Syst. 19"	Gasolina	4WD	2995	280	380	12.14-	■	
3.0 SCV6 400 SPORT (306PS)	Rim 19, -ch K09028, discØ 280, not ceramic disc, Syst. 19"	Gasolina	RWD	2995	294	400	11.16-	■	
3.0 SCV6 400 SPORT AWD (306PS)	Rim 19, -ch K09028, discØ 280, not ceramic disc, Syst. 19"	Gasolina	4WD	2995	294	400	11.16-	■	
5.0 SCV8 P450 (AJ133G2)	discØ 280, Syst. 19"	Gasolina	RWD	5000	331	450	12.19-	■	
5.0 SCV8 P450 AWD (AJ133G2)	discØ 280, Syst. 19"	Gasolina	4WD	5000	331	450	12.19-	■	
5.0 SCV8 S (508PS)	Syst. 19"	Gasolina	RWD	5000	364	495	09.13-10.15	■	
5.0 SCV8 R (508PS)	Rim 19, discØ 280, Syst. 19"	Gasolina	RWD	5000	405	551	10.13-	■	
5.0 SCV8 R AWD (508PS)	Rim 19, not ceramic brakes, discØ 280, Syst. 19"	Gasolina	4WD	5000	405	551	12.14-	■	
5.0 SCV8 SVR / SCV8 P575 R AWD (508PS)	Rim 19, not ceramic brakes, - ch K09028, discØ 280, Syst. 19"	Gasolina	4WD	5000	423	575	12.15-	■	
5.0 SCV8 SVR / SCV8 P575 R AWD (AJ133G2)	Rim 19, not ceramic brakes, - ch K09028, discØ 280, Syst. 19"	Gasolina	4WD	5000	423	575	12.15-	■	
<b>XJ (X351) 10.09-</b>					<b>Saloon (Luxury car-F Segment)</b>				
5.0 V8 (508PN)	01/14-	Gasolina	RWD	5000	283	385	10.09-12.19	■	
5.0 SCV8 (508PS)	01/14-, ch- V90866	Gasolina	RWD	5000	346	471	10.09-12.19	■	
5.0 SCV8 (508PS)	01/14-, ch- V90866	Gasolina	RWD	5000	375	510	10.09-12.19	■	
5.0 SCV8 (508PS)	01/14-, ch- V90866	Gasolina	RWD	5000	405	550	06.13-12.19	■	
5.0 SCV8 R575 (508PS)	ch- V90866	Gasolina	RWD	5000	423	575	06.17-12.19	■	