

LISTA DE APLICACIONES - BUYERS GUIDE

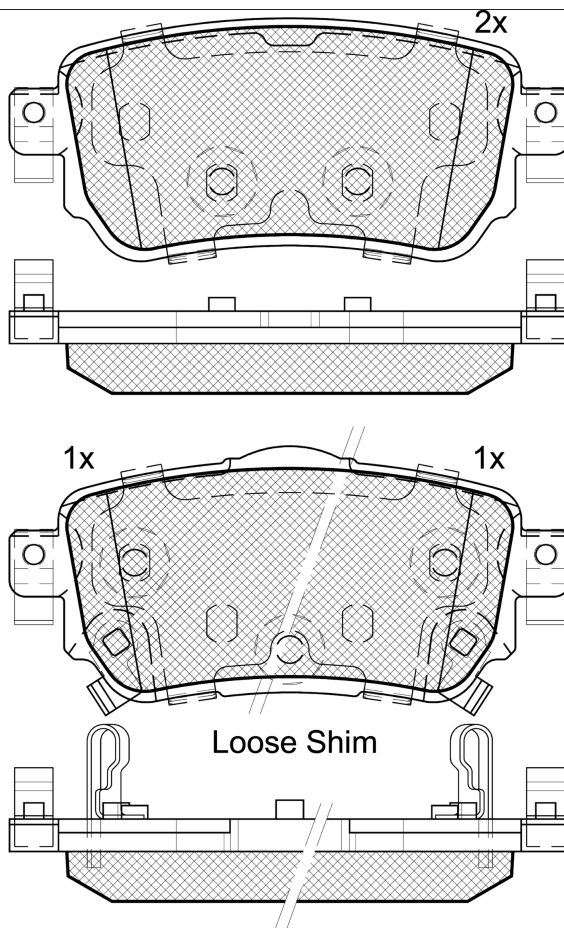
182188



Qty: 300

Weight: 965

O.E.M.	MAKE
44 06 039 81R	RENAULT
44 06 058 89R	RENAULT
44 06 064 46R	RENAULT
44 06 066 33R	RENAULT
86 60 004 060	RENAULT
86 60 004 445	RENAULT
D4060-4CA0A	NISSAN
D4060-4CA0B	NISSAN
D4060-4CA0C	NISSAN
D4060-4CA0CRV	NISSAN
D4060-4EA0A	NISSAN
D4060-4EA0B	NISSAN
D4060-4EA0BVA	NISSAN
D4060-5SA0A	NISSAN
D4M60-5SA0A	NISSAN



182188

E 9 90R-02A0111/3975



Trw

103.78x45x15.8

103.8x47.4x15.8

WVA	FMSI
25965	D1965-9190
25966	
25967	

MAKE
NISSAN
NISSAN (DFAC)
RENAULT
RENAULT (DFAC)



Trac.	CC	Kw	CV		 Front / Rear
-------	----	----	----	--	------------------

NISSAN

				SUV (Mini SUV-J Segment)				
KICKS (P15_, PP15_) 01.16-								
1.6 Flex		Gasol./Etanol	FWD	1598	84	114	08.16-	■
LEAF II (ZE1) 08.17-				Hatchback (Executive car-E Segment)				
Electric (EM57)	with collision sys.	Eléctrico	FWD		110	150	08.17-	■
Electric (EM57)	with collision sys.	Eléctrico	FWD		160	218	01.19-	■
QASHQAI II SUV (J11, J11_) 11.13-				SUV (Compact SUV-J Segment)				
1.2 DIG-T (HRA2DDT)		Gasolina	FWD	1197	85	116	11.13-08.18	■
1.3 DIG-T (HR13DDT)		Gasolina	FWD	1332	103	140	08.18-09.20	■
1.3 DIG-T		Gasolina	FWD	1332	116	158	10.20-04.21	■
1.3 DIG-T (HR13DDT)		Gasolina	FWD	1332	118	160	08.18-09.20	■
1.6 DIG-T (MR16DDT)		Gasolina	FWD	1618	120	163	02.14-08.18	■
2.0 (MR20DD)		Gasolina	FWD	1997	103	140	01.15-04.21	■
2.0 ALL MODE 4x4-i		Gasolina	4WD	1997	103	140	01.15-04.21	■
2.0 (MR20DD)		Gasolina	FWD	1997	104	141	07.17-04.21	■
2.0 ALL MODE 4x4-i		Gasolina	4WD	1997	104	141	07.17-04.21	■
2.0 (J11E) (MR20DD)		Gasolina	FWD	1997	106	144	06.14-04.21	■
2.0 ALL MODE 4x4-i (J11R) (MR20DD)		Gasolina	4WD	1997	106	144	12.13-04.21	■
1.5 dCi (K9K 636)		Diesel	FWD	1461	81	110	11.13-08.18	■
1.5 dCi (K9K 646)		Diesel	FWD	1461	81	110	11.13-08.18	■
1.5 dCi (K9K 872)		Diesel	FWD	1461	85	116	06.18-09.20	■
1.5 dCi (L15BR)		Diesel	FWD	1461	85	116	06.18-09.20	■
1.6 dCi (R9M)		Diesel	FWD	1598	96	130	11.13-08.18	■
1.6 dCi ALL MODE 4x4-i (R9M)		Diesel	4WD	1598	96	130	11.13-08.18	■

LISTA DE APLICACIONES - BUYERS GUIDE

1.7 dCi (R9N 401)		Diesel	FWD	1749	110	150	01.19-09.20	■
1.7 dCi ALL MODE 4x4-i (R9N 401)		Diesel	4WD	1749	110	150	01.19-09.20	■
QASHQAI II VAN (J11_) 11.13-					SUV Van (Compact SUV-J Segment)			
1.5 dCi		Diesel	FWD	1461	81	110	05.15-08.18	■
1.5 dCi		Diesel	FWD	1461	85	116	06.18-09.20	■
X-TRAIL III / ROGUE II (T32) 10.13-					SUV Van (Compact SUV-J Segment)			
dCi		Diesel	FWD	1598	96	131	04.14-	■
dCi 4x4		Diesel	4WD	1598	96	131	04.14-	■
X-TRAIL III / ROGUE II (T32_, T32R, T32RR) 10.13-					SUV (Compact SUV-J Segment)			
1.3 DIG-T		Gasolina	FWD	1332	116	158	06.21-	■
1.3 DIG-T (HR13DDT)		Gasolina	FWD	1332	118	160	04.19-	■
1.6 DIG-T (T32) (MR16DDT)		Gasolina	FWD	1618	120	163	06.15-	■
2.0 (MR20DD)		Gasolina	FWD	1997	103	140	10.16-	■
2.0 (MR20DD)		Gasolina	FWD	1997	104	141	10.16-	■
2.0 (T32)		Gasolina	FWD	1997	104	141	09.14-	■
2.0		Gasolina	FWD	1997	106	144	12.14-	■
2.0 (T32) (MR20DD)		Gasolina	FWD	1997	106	144	02.14-	■
2.0 ALL MODE 4x4-i		Gasolina	4WD	1997	106	144	12.14-	■
2.0 ALL MODE 4x4-i		Gasolina	4WD	1997	106	144	04.16-	■
2.0 ALL MODE 4x4-i (NT32) (MR20DD)		Gasolina	4WD	1997	106	144	09.14-	■
2.0 (T32)		Gasolina	FWD	1997	108	147	12.13-	■
2.0 ALL MODE 4x4-i (NT32)		Gasolina	4WD	1997	108	147	12.13-	■
2.5 ALL MODE 4x4-i (QR25DE)		Gasolina	4WD	2488	122	166	10.14-	■
2.5 (T32) (QR25DE)		Gasolina	FWD	2488	124	169	01.15-	■
2.5 ALL MODE 4x4-i (NT32) (QR25DE)		Gasolina	4WD	2488	124	169	10.14-	■
2.5 (T32) (QR25DE)		Gasolina	FWD	2488	126	171	12.13-	■
2.5 ALL MODE 4x4-i		Gasolina	4WD	2488	126	171	04.16-	■
2.5 ALL MODE 4x4-i (NT32) (QR25DE)		Gasolina	4WD	2488	126	171	12.13-	■
2.5 (QR25DE)		Gasolina	FWD	2488	127	170	10.13-	■
2.5 ALL MODE 4x4-i		Gasolina	4WD	2488	127	170	10.13-	■
2.0 Flexfuel (T32) (MR20DD)		Gasol./Etanol	FWD	1997	106	144	09.14-	■
2.0 Flexfuel ALL MODE 4x4-i (MR20DD)		Gasol./Etanol	4WD	1997	106	144	02.14-	■
2.0 Flexfuel ALL MODE 4x4-i		Gasol./Etanol	4WD	1997	106	144	12.14-	■
2.5 Flexfuel ALL MODE 4x4-i (NT32) (QR25DE)		Gasol./Etanol	4WD	2488	126	171	02.14-	■
2.5 Flexfuel ALL MODE 4x4-i (NT32)		Gasol./Etanol	4WD	2488	126	171	12.14-	■
2.0 Hybrid (MR20DD)		Gasol./eléc.	FWD	1997	132	180	09.14-	■
2.0 Hybrid ALL MODE 4x4-i (HNT32) (MR20DD)		Gasol./eléc.	4WD	1997	132	180	09.14-	■
2.0 Hybrid (HT32)		Gasol./eléc.	FWD	1997	138	188	11.16-	■
2.0 Hybrid ALL MODE 4x4-i (HNT32)		Gasol./eléc.	4WD	1997	138	188	11.16-	■
1.6 dCi		Diesel	FWD	1598	96	130	12.14-	■
1.6 dCi (T32) (R9M)		Diesel	FWD	1598	96	130	04.14-	■
1.6 dCi ALL MODE 4x4-i		Diesel	4WD	1598	96	130	04.16-	■
1.6 dCi ALL MODE 4x4-i (NT32) (R9M)		Diesel	4WD	1598	96	130	04.14-	■
1.7 dCi (R9N)		Diesel	FWD	1749	96	131	04.19-	■
1.7 dCi ALL MODE 4x4-i (R9N)		Diesel	4WD	1749	96	131	04.19-	■
1.7 dCi (R9N)		Diesel	FWD	1749	110	150	04.19-	■

LISTA DE APLICACIONES - BUYERS GUIDE

1.7 dCi ALL MODE 4x4-i (R9N)		Diesel	4WD	1749	110	150	04.19-	■
1.7 dCi (R9N)		Diesel	FWD	1749	120	163	04.19-	■
1.7 dCi ALL MODE 4x4-i (R9N)		Diesel	4WD	1749	120	163	04.19-	■
2.0 dCi (T32) (M9R)		Diesel	FWD	1995	130	177	10.16-	■
2.0 dCi ALL MODE 4x4-i (NT32) (M9R)		Diesel	4WD	1995	130	177	10.16-	■
NISSAN (DFAC)								
QASCHQAI (J10) 12.07-					SUV (Compact SUV-J Segment)			
1.2 T		Gasolina	FWD	1197	86	117	10.15-	■
2.0		Gasolina	FWD	1997	110	150	10.15-	■
QASCHQAI II (J11) 10.15-					SUV (Compact SUV-J Segment)			
2.0 (MR20)		Gasolina	FWD	1997	111	151	08.20-	■
2.0 (MR20)	elec.brake detention	Gasolina	FWD	1997	113	154	04.19-	■
X-TRAIL (T32) 02.14-					SUV (Compact SUV-J Segment)			
2.0 2WD (MR20DD)	elec.brake detention	Gasolina	FWD	1197	111	151	08.20-	■
2.0 (MR20DD)	elec.brake detention	Gasolina	FWD	1197	113	154	08.18-	■
2.0 (MR20DD)	elec.brake detention	Gasolina	FWD	1997	110	150	03.14-12.18	■
2.0 Alas 4 ruedas (MR20DD)	elec.brake detention	Gasolina	4WD	1997	110	150	03.14-12.18	■
2.5 4WD (QR25)	elec.brake detention	Gasolina	4WD	2488	133	181	08.20-	■
2.5 A las 4 ruedas	elec.brake detention	Gasolina	FWD	2488	137	186	02.14-	■
RENAULT								
KADJAR (HA_, HL_) 06.15-					SUV (Compact SUV-J Segment)			
1.2 TCe 130 (HLMR) (H5F 408)		Gasolina	FWD	1197	96	130	06.15-	■
1.3 TCe 140 (HLNB, HLN1) (H5H 470)		Gasolina	FWD	1332	103	140	08.18-	■
1.3 TCe 160 (HLN2)		Gasolina	FWD	1332	116	158	07.21-	■
1.3 TCe 160 (HLNC) (H5H 470)		Gasolina	FWD	1332	117	160	08.18-	■
1.6 TCe 165 (HLMH)		Gasolina	FWD	1618	120	163	11.16-	■
1.5 dCi 110 (HLA3) (K9K 646)		Diesel	FWD	1461	81	110	06.15-	■
1.5 dCi 110 (HLA3) (K9K 647)		Diesel	FWD	1461	81	110	06.15-	■
1.5 dCi 110 (HLA3) (K9K 648)		Diesel	FWD	1461	81	110	06.15-	■
1.5 dCi 110 (HLA3) (K9K 649)		Diesel	FWD	1461	81	110	06.15-	■
1.5 BLUE dCi 115 (HLA6) (K9K 872)		Diesel	FWD	1461	85	116	08.18-	■
1.5 BLUE dCi 115 (HLA6) (K9K 873)		Diesel	FWD	1461	85	116	08.18-	■
1.6 dCi 130 (HLA4) (R9M 414)		Diesel	FWD	1598	96	130	06.15-	■
1.6 dCi 130 4x4 (HLA4) (R9M 414)		Diesel	4WD	1598	96	130	06.15-	■
1.7 Blue dCi 150 (HLA7) (R9N 401)		Diesel	FWD	1749	110	150	08.18-	■
1.7 Blue dCi 150 4WD (HLA7) (R9N 401)		Diesel	4WD	1749	110	150	08.18-	■
KOLEOS II (HC_) 04.16-					SUV (Compact SUV-J Segment)			
1.3 TCe 160 (HCN2) (H5H 470)	elec.brake detention	Gasolina	FWD	1332	116	158	07.20-	■
2.0 TCe (M5R 402)	elec.brake detention	Gasolina	FWD	1997	107	145	04.16-	■
2.5 Sce	Eq.V_ FPA SS, elec.brake detention	Gasolina	FWD	2488	126	170	04.16-	■
2.5 Sce 4WD	Eq.V_ FPA SS, elec.brake detention	Gasolina	4WD	2488	126	171	04.16-	■
1.6 dCi 130 (R9M 409)	Eq.V_ FPA SS, elec.brake detention	Diesel	FWD	1598	96	130	04.16-	■
1.6 dCi 130 (R9M 414)	Eq.V_ FPA SS, elec.brake detention	Diesel	FWD	1598	96	130	04.16-	■
1.7 BLUE dCi 150 (HCA7) (R9N 401)	elec.brake detention	Diesel	FWD	1749	110	150	06.19-	■
2.0 dCi 175 (HCAK) (M9R 868)	Eq.V_ FPA SS, elec.brake detention	Diesel	FWD	1995	130	177	04.16-	■
2.0 dCi 175 4WD (M9R 868)	Eq.V_ FPA SS, elec.brake detention	Diesel	4WD	1995	130	177	04.16-	■
2.0 BLUE DCI 185 (HCAN)	elec.brake detention	Diesel	FWD	1997	135	184	01.20-	■

LISTA DE APLICACIONES - BUYERS GUIDE

2.0 BLUE DCI 185 4WD (HCAN)	elec.brake detention	Diesel	4WD	1997	135	184	01.20-	■
2.0 BLUE dCi 190 4WD (HCAN) (M9R 730)	elec.brake detention	Diesel	4WD	1997	140	190	06.19-	■
RENAULT (DFAC)								
KADJAR 03.16-					SUV (Compact SUV-J Segment)			
1.2 T (H5F 408)	elec.brake detention	Gasolina	FWD	1197	86	117	04.17-	■
2.0 (M5R)	elec.brake detention	Gasolina	FWD	1997	110	150	03.16-	■
2.0 AWD (M5R)	elec.brake detention	Gasolina	4WD	1997	110	150	03.16-	■
2.0 (M5R)	elec.brake detention	Gasolina	FWD	1997	113	154	11.18-	■
KOLEOS 11.16-					SUV (Compact SUV-J Segment)			
2.0 (M5R)	elec.brake detention	Gasolina	FWD	1997	110	150	11.16-	■
SCe230 (M5R)	elec.brake detention	Gasolina	FWD	1997	113	154	04.19-	■
2.5 SCe230 (QR25)	elec.brake detention	Gasolina	FWD	2488	137	186	11.16-	■
2.5 SCe230 AWD (QR25)	elec.brake detention	Gasolina	4WD	2488	137	186	11.16-	■