

LISTA DE APLICACIONES - BUYERS GUIDE

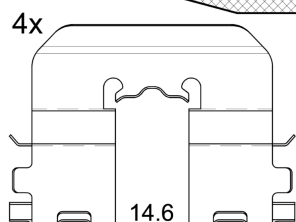
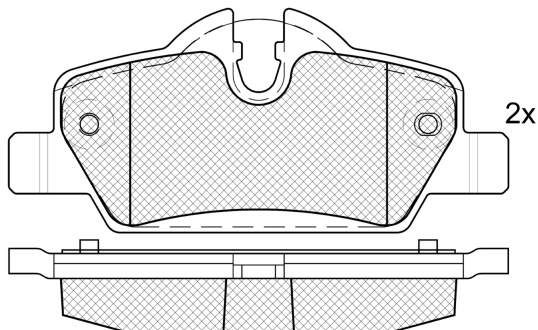
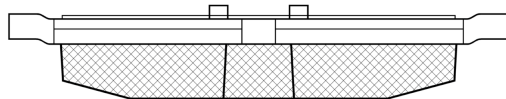
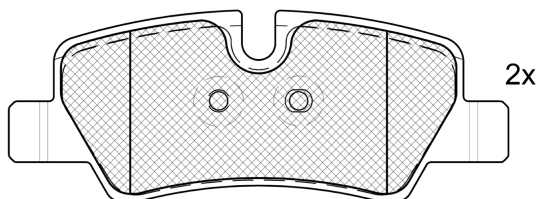
182190



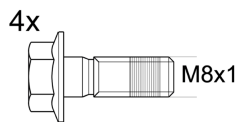
Qty: 300

Weight: 780

O.E.M.	MAKE
34 21 6 861 641	MINI
34 21 6 864 488	MINI
34 21 6 871 299	MINI
34 21 6 871 300	MINI
34 21 6 885 529	MINI



1-Ref. 690274 E



2-Ref. 690059

182190

E 9 90R-02A0111/4154



Trw

99.9x38.1x16.6

99.9x44.8x16.6

WVA	FMSI
25980	D1800-9032
25981	
MAKE	
MINI	



Trac.	CC	Kw	CV
-------	----	----	----



Front / Rear

MINI

MINI (F57) 11.14-							Convertible (Supermini car-B Segment)			
One (B38 A12 A)		Gasolina	FWD	1198	75	102	03.16-10.17			
One (B38 A15 A)		Gasolina	FWD	1499	75	102	11.17-			
Cooper (B36 A15 A)		Gasolina	FWD	1499	100	136	11.15-			
Cooper (B38 A15 A)		Gasolina	FWD	1499	100	136	11.15-			
Cooper S (B46 A20 A)		Gasolina	FWD	1998	120	163	11.14-			
Cooper S (B48 A20 A)		Gasolina	FWD	1998	120	163	11.14-			
Cooper S (B48 A20 A)	discØ 259	Gasolina	FWD	1998	131	178	11.20-			
Cooper S (B48 A20 F)	discØ 259	Gasolina	FWD	1998	131	178	11.20-			
Cooper S (B46 A20 A)		Gasolina	FWD	1998	141	192	11.15-			
Cooper S (B48 A20 A)		Gasolina	FWD	1998	141	192	11.15-			
Cooper S JCW (B46 A20 A)		Gasolina	FWD	1998	155	211	11.15-			
Cooper S JCW (B48 A20 A)		Gasolina	FWD	1998	155	211	11.15-			
John Cooper Works (B48 A20 B)		Gasolina	FWD	1998	170	231	03.16-			
Cooper D (B37 C15 A)		Diesel	FWD	1496	85	116	11.15-			
Cooper SD (B47 C20 A)		Diesel	FWD	1995	120	163	05.15-07.19			
Cooper SD (B47 C20 B)		Diesel	FWD	1995	120	163	05.15-07.19			
Cooper SD (B47 C20 A)		Diesel	FWD	1995	125	170	03.16-			
Cooper SD (B47 C20 B)		Diesel	FWD	1995	125	170	03.16-			
MINI (F55) 09.13-							Hatchback (Supermini car-B Segment)			
One First (B38 A12 A)	discØ 259	Gasolina	FWD	1198	55	75	11.14-10.17			
One First (B38 A12 A)	discØ 259	Gasolina	FWD	1198	55	75	07.14-10.17			
One (B38 A12 A)	discØ 259	Gasolina	FWD	1198	75	102	05.14-10.17			

LISTA DE APLICACIONES - BUYERS GUIDE

One (B38 A12 A)	discØ 259	Gasolina	FWD	1198	75	102	04.14-10.17	■	
One First (B38 A15 A)	Syst. Standard	Gasolina	FWD	1499	55	75	11.17-	■	
One First (B38 A15 A)		Gasolina	FWD	1499	55	75	11.17-	■	
One (B38 A15 A)		Gasolina	FWD	1499	75	102	11.17-	■	
One (B38 A15 A)		Gasolina	FWD	1499	75	102	11.17-	■	
Cooper (B36 A15 A)	discØ 259	Gasolina	FWD	1499	100	136	07.14-	■	
Cooper (B38 A15 A)	discØ 259	Gasolina	FWD	1499	100	136	07.14-	■	
Cooper (B36 A15 A)	discØ 259	Gasolina	FWD	1499	100	136	12.13-	■	
Cooper (B38 A15 A)	discØ 259	Gasolina	FWD	1499	100	136	12.13-	■	
Cooper S (B48 A20 A)		Gasolina	FWD	1998	120	163	09.13-	■	
Cooper S (B48 A20 A)	discØ 259	Gasolina	FWD	1998	120	163	11.14-	■	
Cooper S (B48 A20 A)	discØ 259	Gasolina	FWD	1998	131	178	11.20-	■	
Cooper S (B48 A20 F)	discØ 259	Gasolina	FWD	1998	131	178	11.20-	■	
Cooper S (B48 A20 A)	discØ 259	Gasolina	FWD	1998	131	178	11.20-	■	
Cooper S (B48 A20 F)	discØ 259	Gasolina	FWD	1998	131	178	11.20-	■	
Cooper S (B46 A20 A)	discØ 259	Gasolina	FWD	1998	141	192	07.14-	■	
Cooper S (B48 A20 A)	discØ 259	Gasolina	FWD	1998	141	192	07.14-	■	
Cooper S (B46 A20 A)	discØ 259	Gasolina	FWD	1998	141	192	12.13-	■	
Cooper S (B48 A20 A)	discØ 259	Gasolina	FWD	1998	141	192	12.13-	■	
Cooper S (B48 A20 F)	discØ 259	Gasolina	FWD	1998	141	192	12.13-	■	
Cooper S JCW (B46 A20 A)		Gasolina	FWD	1998	155	211	07.14-	■	
Cooper S JCW (B48 A20 A)		Gasolina	FWD	1998	155	211	07.14-	■	
Cooper S JCW (B46 A20 A)		Gasolina	FWD	1998	155	211	12.13-	■	
Cooper S JCW (B48 A20 A)		Gasolina	FWD	1998	155	211	12.13-	■	
John Cooper Works (B46 A20 B)	discØ 259	Gasolina	FWD	1998	170	231	03.15-	■	
John Cooper Works (B48 A20 B)	discØ 259	Gasolina	FWD	1998	170	231	03.15-	■	
John Cooper Works GP (B48 A20 E)	discØ 259	Gasolina	FWD	1998	225	306	03.20-	■	
One D (B37 C15 A)	discØ 259	Diesel	FWD	1496	70	95	11.14-	■	
One D (B37 C15 A)	discØ 259	Diesel	FWD	1496	70	95	03.14-	■	
Cooper D (B37 C15 A)	discØ 259	Diesel	FWD	1496	85	116	07.14-	■	
Cooper D (B37 C15 A)	discØ 259	Diesel	FWD	1496	85	116	12.13-	■	
Cooper SD (B47 C20 A)		Diesel	FWD	1995	120	163	09.13-	■	
Cooper SD (B47 C20 B)		Diesel	FWD	1995	120	163	09.13-	■	
Cooper SD (B47 C20 A)		Diesel	FWD	1995	120	163	06.14-	■	
Cooper SD (B47 C20 B)		Diesel	FWD	1995	120	163	06.14-	■	
Cooper SD (B47 C20 A)	discØ 259	Diesel	FWD	1995	125	170	07.14-	■	
Cooper SD (B47 C20 A)	discØ 259	Diesel	FWD	1995	125	170	06.14-	■	
Cooper SD (B47 C20 B)	discØ 259	Diesel	FWD	1995	125	170	06.14-	■	
MINI CLUBMAN II (F54) 11.14-					Estate (Supermini car-B Segment)				
Cooper (B36 A15 A)	discØ 259	Gasolina	FWD	1499	100	136	07.15-02.24	■	
Cooper (B38 A15 A)	discØ 259	Gasolina	FWD	1499	100	136	07.15-02.24	■	
Cooper S (B46 A20 A)	discØ 259	Gasolina	FWD	1998	141	192	11.14-	■	
Cooper S (B48 A20 A)	discØ 259	Gasolina	FWD	1998	141	192	11.14-	■	
Cooper S (B48 A20 F)	discØ 259	Gasolina	FWD	1998	141	192	11.14-	■	
Cooper S ALL4 (B48 A20 A)	discØ 259	Gasolina	4WD	1998	141	192	03.16-01.24	■	
John Cooper Works (B48 A20 B)	discØ 259	Gasolina	4WD	1998	170	231	11.16-06.19	■	
Cooper D (B47 C20 A)	discØ 259	Diesel	FWD	1995	110	150	07.15-02.24	■	
Cooper D (B47 C20 B)	discØ 259	Diesel	FWD	1995	110	150	07.15-02.24	■	
Cooper SD ALL4 (B47 C20 A)	discØ 259	Diesel	4WD	1995	140	190	03.16-01.24	■	
Cooper SD ALL4 (B47 C20 B)	discØ 259	Diesel	4WD	1995	140	190	03.16-01.24	■	

LISTA DE APLICACIONES - BUYERS GUIDE

MINI COUNTRYMAN II (F60) 10.16-						Estate (Supermini car-B Segment)			
John Cooper Works ALL4 (B48 A20 B)	discØ 259	Gasolina	4WD	1998	170	231	03.17-06.19	■	