

LISTA DE APLICACIONES - BUYERS GUIDE

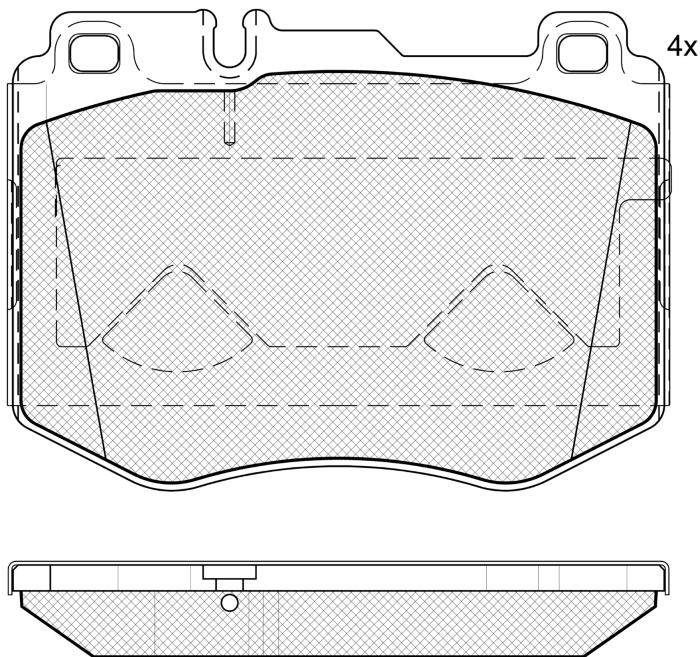
182195-200



Qty: 300

Weight: 2.700

O.E.M.	MAKE
000 420 80 00 64	MERCEDES-BENZ
000 420 80 00 oe	MERCEDES-BENZ
000 420 81 00	MERCEDES-BENZ
000 420 81 00 64	MERCEDES-BENZ
000 420 86 00	MERCEDES-BENZ
000 420 86 00 64	MERCEDES-BENZ



182195-200

E 9 90R-02A0111/4136



Brembo

127.6x92.7x17.9

WVA	FMSI
22047	D1796-9150
22061	D1796-9655

MAKE

MERCEDES-BENZ
MERCEDES-BENZ (BBDC)



Trac.	CC	Kw	CV
-------	----	----	----



Front / Rear

MERCEDES-BENZ

C-Class IV (A205) 06.16-							Convertible (Compact executive car-D Segment)			
C 250 (205.445) (M 274.920)	SA P31, sports package	Gasolina	RWD	1991	155	211	06.16-05.18	■		
C 300 (205.448) (M 274.920)	SA P31, sports package	Gasolina	RWD	1991	180	245	06.16-05.18	■		
C 300 (205.483) (M 264.920)	AMG Sports Package, SA P31,M014, SA U29, sports package	Gasolina	RWD	1991	190	258	05.18-04.23	■		
C 400 4-matic (205.466) (M 276.823)		Gasolina	4WD	2996	245	333	06.16-04.23	■		
C 300 EQ Boost (205.483) (M 264.920)	AMG Sports Package, SA P31,M014, SA U29, sports package	Gasol./el éc.	RWD	1991	190	258	05.19-04.23	■		
C 300 EQ Boost 4-matic (205.484) (M 264.920)	Elec.suspens.control, SA 459, AMG Sports Package, SA P31, SA U29, sports package	Gasol./el éc.	4WD	1991	190	258	05.19-04.23	■		
C 300 d (205.418) (OM 654.920)	AMG Sports Package, SA P31,U29	Diesel	RWD	1950	180	245	07.18-04.23	■		
C 250 d (205.408) (OM 651.921)	SA P31, sports package	Diesel	RWD	2143	150	204	06.16-05.18	■		
C-Class IV (C205) 10.15-							Coupe (Compact executive car-D Segment)			
C 250 (205.345) (M 274.920)	SA P31,U29, sports package	Gasolina	RWD	1991	155	211	10.15-05.18	■		
C 300 (205.348) (M 274.920)	SA P31, sports package	Gasolina	RWD	1991	180	245	10.15-12.18	■		
C 300 (205.383) (M 264.920)	AMG Sports Package, SA P31,M014, SA U29, sports package	Gasolina	RWD	1991	190	258	05.18-04.23	■		
C 300 4-matic (205.384) (M 264.920)	Elec.suspens.control, Eq.V_ M014,M20,459, SA U29, sports package	Gasolina	4WD	1991	190	258	05.18-04.23	■		
C 400 4-matic (205.366) (M 276.823)		Gasolina	4WD	2996	245	333	04.16-06.22	■		
C 300 EQ Boost (205.383) (M 264.920)	AMG Sports Package, SA P31,M014, SA U29, sports package	Gasol./el éc.	RWD	1991	190	258	05.19-04.23	■		

LISTA DE APLICACIONES - BUYERS GUIDE

C 300 EQ Boost 4-matic (205.484) (M 264.920)	Elec.suspens.control, SA 459, AMG Sports Package, SA P31, SA U29, sports package	Gasol./el éc.	4WD	1991	190	258	05.19-04.23	■	
C 300 d (205.318) (OM 654.920)	AMG Sports Package, SA P31,U29	Diesel	RWD	1950	180	245	07.18-04.23	■	
C 300 d 4-matic (205.319) (OM 654.920)	Elec.suspens.control, SA 459, AMG Sports Package, SA P31,U29	Diesel	4WD	1950	180	245	07.18-04.23	■	
C 250 d (205.308) (OM 651.921)	SA P31, sports package	Diesel	RWD	2143	150	204	10.15-05.18	■	
C 250 d 4-matic (205.309) (OM 651.921)	SA P31,U29, sports package	Diesel	4WD	2143	150	204	04.16-05.18	■	
C-Class IV (W205) 07.13-							Saloon (Compact executive car-D Segment)		
C 250 (205.045) (M 274.920)	AMG Sports Package, SA P31, SA U29, sports package	Gasolina	RWD	1991	155	211	03.14-05.18	■	
C 300 (205.048) (M 274.920)	SA P31, sports package	Gasolina	RWD	1991	180	245	09.15-08.18	■	
C 300 4-matic (205.049) (M 274.920)	SA P31, sports package	Gasolina	4WD	1991	180	245	12.13-08.18	■	
C 300 (205.083) (M 264.920)	AMG Sports Package, SA P31, SA U29, sports package	Gasolina	RWD	1991	183	249	05.18-05.21	■	
C 300 (205.083) (M 264.920)	SA U29, AMG Sports Package, SA P31, sports package	Gasolina	RWD	1991	190	258	05.18-05.21	■	
C 300 4-matic (205.084) (M 264.920)	Elec.suspens.control, SA 459, AMG Sports Package, SA P31, SA U29, sports package	Gasolina	4WD	1991	190	258	05.18-05.21	■	
C 400 4-matic (205.066) (M 276.823)		Gasolina	4WD	2996	245	333	10.14-11.20	■	
C 300 e (205.053) (M 274.920)		Gasol./el éc.	RWD	1991	155	211	07.19-	■	
C 300 e 4-matic (205.054) (M 274.920)		Gasol./el éc.	4WD	1991	155	211	07.19-	■	
C 350 e (205.047) (M 274.920)		Gasol./el éc.	RWD	1991	155	211	02.15-08.18	■	
C 300 EQ Boost (205.083) (M 264.920)	AMG Sports Package, SA P31, SA U29, sports package	Gasol./el éc.	RWD	1991	190	258	05.19-05.21	■	
C 300 EQ Boost 4-matic (205.484) (M 264.920)	Elec.suspens.control, SA 459, AMG Sports Package, SA P31, SA U29, sports package	Gasol./el éc.	4WD	1991	190	258	05.19-05.21	■	
C 350 e (205.047) (M 274.920)		Gasol./el éc.	RWD	1991	205	279	02.15-08.18	■	
C 300 e (205.053) (M 274.920)		Gasol./el éc.	RWD	1991	235	320	07.19-05.21	■	
C 300 de (205.013) (OM 654.920)		Diesel/el éc.	RWD	1950	143	194	05.19-	■	
C 300 de (205.013) (OM 654.920)		Diesel/el éc.	RWD	1950	225	306	05.19-05.21	■	
C 300 BlueTEC Hybrid / h (205.212) (OM 651.921)	SA P31, noSA 86B, sports package	Diesel/el éc.	RWD	2143	170	231	05.14-05.18	■	
C 300 d (205.018) (OM 654.920)	SA 944, AMG Sports Package, SA P31,U29	Diesel	RWD	1950	180	245	06.18-05.21	■	
C 300 d 4-matic (205.019) (OM 654.920)	Elec.suspens.control, SA 459, Syst. Standard, AMG Sports Package, SA P31,U29	Diesel	4WD	1950	180	245	06.18-05.21	■	
C 250 BlueTEC / d (205.008, 205.006) (OM 651.921)	sports package	Diesel	RWD	2143	150	204	02.14-05.18	■	
C 250 BlueTEC / d 4-matic (205.209) (OM 651.921)	sports package	Diesel	4WD	2143	150	204	02.14-05.18	■	
C-Class IV T-Model (S205) 09.14-							Estate (Compact executive car-D Segment)		
C 250 (205.245) (M 274.920)	SA P31, sports package	Gasolina	RWD	1991	155	211	09.14-05.18	■	
C 300 (205.248) (M 274.920)	SA P31, sports package	Gasolina	RWD	1991	180	245	09.15-05.18	■	
C 300 (205.283) (M 264.920)	AMG Sports Package, SA P31,M014, SA U29, sports package	Gasolina	RWD	1991	190	258	05.18-02.21	■	
C 300 4-matic (205.284) (M 264.920)	Elec.suspens.control, SA 459, AMG Sports Package, SA P31, SA U29, sports package	Gasolina	4WD	1991	190	258	05.18-02.21	■	
C 400 4-matic (205.266) (M 276.823)		Gasolina	4WD	2996	245	333	10.14-02.21	■	
C 300 e (205.253) (M 274.920)		Gasol./el éc.	RWD	1991	155	211	07.19-	■	
C 350 e (205.247) (M 274.920)		Gasol./el éc.	RWD	1991	155	211	02.15-05.18	■	

LISTA DE APLICACIONES - BUYERS GUIDE

C 300 EQ Boost (205.283) (M 264.920)	AMG Sports Package, SA P31,M014, SA U29, sports package	Gasol./el éc.	RWD	1991	190	258	05.19-02.21	■	
C 300 EQ Boost 4-matic (205.484) (M 264.920)	Elec.suspens.control, SA 459, AMG Sports Package, SA P31, SA U29, sports package	Gasol./el éc.	4WD	1991	190	258	05.19-02.21	■	
C 350 e (205.247) (M 274.920)		Gasol./el éc.	RWD	1991	205	279	02.15-05.18	■	
C 300 e (205.253) (M 274.920)		Gasol./el éc.	RWD	1991	235	320	07.19-02.21	■	
C 300 de (205.213) (OM 654.920)		Diesel/el éc.	RWD	1950	143	194	05.19-	■	
C 300 de (205.213) (OM 654.920)		Diesel/el éc.	RWD	1950	225	306	05.19-02.21	■	
C 300 BlueTEC Hybrid / h (205.212) (OM 651.921)	SA P31, sports package	Diesel/el éc.	RWD	2143	150	204	10.14-05.18	■	
C 300 d (205.218) (OM 654.920)	AMG Sports Package, SA P31,U29	Diesel	RWD	1950	180	245	06.18-02.21	■	
C 300 d 4-matic (205.219) (OM 654.920)	Elec.suspens.control, AMG Sports Package, SA P31,U29	Diesel	4WD	1950	180	245	06.18-02.21	■	
C 250 BlueTEC / d (205.208) (OM 651.921)	SA P31, sports package	Diesel	RWD	2143	150	204	09.14-05.18	■	
C 250 BlueTEC / d 4-matic (205.209) (OM 651.921)	SA P31, sports package	Diesel	4WD	2143	150	204	10.14-05.18	■	
CLS-Class III (C257) 12.17-					Coupe (Executive car-E Segment)				
CLS 300 (257.348)	not sports package, not AMG sports pack.	Gasolina	RWD	1991	190	258	07.18-	■	
CLS 260 eq Boost (257.344)	AMG Sports Package, sports package	Gasol./el éc.	RWD	1497	135	184	05.20-	■	
CLS 350 EQ Boost (257.350) (M 264.920)	Syst. Standard	Gasol./el éc.	RWD	1991	220	299	08.18-	■	
CLS 350 EQ Boost 4-matic (257.351) (M 264.920)	Syst. Standard	Gasol./el éc.	4WD	1991	220	299	08.18-	■	
CLS 220 d (257.314) (OM 654.920)	AMG Sports Package, SA P31, SA U29, sports package	Diesel	RWD	1950	143	194	06.18-	■	
CLS 300 d (257.318) (OM 654.920)	not sports package, not AMG sports pack.	Diesel	RWD	1950	180	245	04.18-	■	
E-Class V (A238) 06.17-					Convertible (Executive car-E Segment)				
E 200 (238.442) (M 274.920)	AMG Sports Package, SA P31,U29, sports package	Gasolina	RWD	1991	135	184	06.17-	■	
E 200 4-matic (238.443) (M 274.920)	AMG Sports Package, SA P31,U29, sports package	Gasolina	4WD	1991	135	184	10.17-	■	
E 300 (238.448) (M 274.920)	Syst. Standard	Gasolina	RWD	1991	180	245	06.17-	■	
E 300 (238.483) (M 264.920)	AMG Sports Package, Syst. Standard, SA P31,801	Gasolina	RWD	1991	190	258	03.19-	■	
E 200 EQ Boost (238.480) (M 264.920)	AMG Sports Package, SA P31,U29, sports package	Gasol./el éc.	RWD	1991	145	197	06.19-	■	
E 200 EQ Boost 4-matic (238.487) (M 264.920)	AMG Sports Package, SA P31,U29, sports package	Gasol./el éc.	4WD	1991	145	197	06.19-	■	
E 300 EQ Boost (238.483) (M 264.920)	Syst. Standard	Gasol./el éc.	RWD	1991	190	258	06.19-	■	
E 350 EQ Boost (238.485) (M 264.920)	Syst. Standard	Gasol./el éc.	RWD	1991	220	299	10.17-	■	
E 220 d (238.414) (OM 654.920)	AMG Sports Package, SA P31,U29, sports package	Diesel	RWD	1950	120	163	06.17-	■	
E 220 d (238.414) (OM 654.920)	AMG Sports Package, SA P31,U29, sports package	Diesel	RWD	1950	143	194	06.17-	■	
E 220 d 4-matic (238.415) (OM 654.920)	AMG Sports Package, SA P31,U29, sports package	Diesel	4WD	1950	143	194	10.17-	■	
E 300 d (238.418) (OM 654.920)	AMG Sports Package, SA P31,U29, sports package	Diesel	RWD	1950	180	245	05.18-	■	
E-Class V (C238) 12.16-					Coupe (Executive car-E Segment)				
E 200 (238.342) (M 274.920)	AMG Sports Package, SA P31,U29, sports package	Gasolina	RWD	1991	135	184	12.16-	■	
E 200 4-matic (238.343) (M 274.920)	AMG Sports Package, SA P31,U29, sports package	Gasolina	4WD	1991	135	184	06.17-	■	
E 300 (238.348) (M 274.920)	Syst. Standard	Gasolina	RWD	1991	180	245	12.16-	■	

LISTA DE APLICACIONES - BUYERS GUIDE

E 300 (238.383) (M 264.920)	AMG Sports Package, Syst. Standard, SA P31,801	Gasolina	RWD	1991	190	258	08.18-	■	
E 200 EQ Boost (238.380) (M 264.920)	AMG Sports Package, SA P31,U29, sports package	Gasol./el éc.	RWD	1991	145	197	06.19-	■	
E 200 EQ Boost 4-matic (238.487) (M 264.920)	AMG Sports Package, SA P31,U29, sports package	Gasol./el éc.	4WD	1991	145	197	06.19-	■	
E 300 EQ Boost (238.383) (M 264.920)	Syst. Standard, AMG Sports Package, SA P31,801	Gasol./el éc.	RWD	1991	190	258	06.19-	■	
E 350 EQ Boost (238.385) (M 264.920)	Syst. Standard, AMG Sports Package, SA P31	Gasol./el éc.	RWD	1991	220	299	10.17-	■	
E 220 d (238.314)	AMG Sports Package, SA P31,U29, sports package	Diesel	RWD	1950	120	163	12.16-	■	
E 220 d (238.314) (OM 654.920)	AMG Sports Package, SA P31,U29, sports package	Diesel	RWD	1950	143	194	12.16-	■	
E 220 d 4-matic (238.315) (OM 654.920)	AMG Sports Package, SA P31,U29, sports package	Diesel	4WD	1950	143	194	03.17-	■	
E 300 d (238.318) (OM 654.920)	AMG Sports Package, SA P31,U29, sports package	Diesel	RWD	1950	180	245	05.18-	■	
E-Class V (W213) 01.16-							Saloon (Executive car-E Segment)		
E 180 (213.040) (M 274.910)	AMG Sports Package, SA P31,U29, sports package	Gasolina	RWD	1595	115	156	01.16-06.19	■	
E 200 (213.042) (M 274.920)	AMG Sports Package, SA P31,U29, sports package	Gasolina	RWD	1991	135	184	01.16-05.19	■	
E 200 4-matic (213.043) (M 274.920)	AMG Sports Package, SA P31,U29, sports package	Gasolina	4WD	1991	135	184	07.16-06.19	■	
E 200 (213.080) (M 264.920)	AMG Sports Package, SA P31,U29, sports package	Gasolina	RWD	1991	145	197	10.18-10.23	■	
E 250 (213.045) (M 274.920)	AMG Sports Package, SA P31,U29, sports package	Gasolina	RWD	1991	155	211	07.16-10.23	■	
E 300 (213.048) (M 274.920)	AMG Sports Package, Syst. Standard, SA P31,158	Gasolina	RWD	1991	180	245	07.16-06.20	■	
E 300 (213.048, 213.083) (M 274.920)	AMG Sports Package, Syst. Standard, SA P31,158	Gasolina	RWD	1991	190	258	02.19-10.23	■	
E 300 (213.083) (M 264.920)	AMG Sports Package, Syst. Standard, SA P31,158	Gasolina	RWD	1991	190	258	04.19-10.23	■	
E 350 4-matic (213.086)	not sports package, not AMG sports pack.	Gasolina	4WD	1991	190	258	04.19-	■	
E 200 EQ Boost (213.080) (M 264.920)	AMG Sports Package, M-sport package, SA P31,U29, sports package	Gasol./el éc.	RWD	1991	145	197	06.19-10.23	■	
E 200 EQ Boost 4-matic (238.487) (M 264.920)	AMG Sports Package, SA P31,U29, sports package	Gasol./el éc.	4WD	1991	145	197	06.19-10.23	■	
E 300 e (213.053) (M 274.920)	Syst. Standard	Gasol./el éc.	RWD	1991	155	211	11.18-	■	
E 300 e 4-matic (213.054) (M 264.920)		Gasol./el éc.	4WD	1991	155	211	07.20-	■	
E 300 e 4-matic (213.054) (M 274.920)		Gasol./el éc.	4WD	1991	155	211	07.20-	■	
E 350 e (213.050) (M 274.920)	Eq.V_ U53,807,808, Syst. Standard	Gasol./el éc.	RWD	1991	155	211	07.16-	■	
E 300 EQ Boost (213.083) (M 264.920)	AMG Sports Package, Syst. Standard, SA P31,801	Gasol./el éc.	RWD	1991	190	258	06.19-10.23	■	
E 350 e (213.050) (M 274.920)	Eq.V_ U53,807,808, Syst. Standard	Gasol./el éc.	RWD	1991	210	286	07.16-06.19	■	
E 350 EQ Boost (213.085) (M 264.920)	Syst. Standard	Gasol./el éc.	RWD	1991	220	299	08.18-10.23	■	
E 300 e (213.053) (M 274.920)	Syst. Standard	Gasol./el éc.	RWD	1991	235	320	11.18-10.23	■	
E 300 e 4-matic (213.054) (M 274.920)		Gasol./el éc.	4WD	1991	235	320	07.20-10.23	■	
E 350 e (213.050) (M 274.920)	Syst. Standard, Eq.V_ U53,807,808	Gasol./el éc.	RWD	1991	235	320	09.16-06.19	■	
E 300 de (213.016) (OM 654.920)	Syst. Standard	Diesel/el éc.	RWD	1950	143	194	10.18-	■	
E 300 de 4-matic (213.011) (OM 654.920)		Diesel/el éc.	4WD	1950	143	194	06.20-	■	
E 300 de (213.016) (OM 654.920)	Syst. Standard	Diesel/el éc.	RWD	1950	225	306	10.18-10.23	■	
E 300 de 4-matic (213.011) (OM 654.920)		Diesel/el éc.	4WD	1950	225	306	06.20-08.23	■	

LISTA DE APLICACIONES - BUYERS GUIDE

E 200 d (213.012) (OM 654.916)	AMG Sports Package, SA P31,U29, sports package	Diesel	RWD	1598	118	160	11.18-08.23	■	
E 200 d (213.013) (OM 654.920)	AMG Sports Package, SA P31,U29, sports package	Diesel	RWD	1950	110	150	07.16-06.20	■	
E 220 d (213.004) (OM 654.920)	AMG Sports Package, SA P31,U29, sports package	Diesel	RWD	1950	120	163	01.16-10.23	■	
E 220 d 4-matic (213.005) (OM 654.920)	AMG Sports Package, SA P31,U29, sports package	Diesel	4WD	1950	120	163	10.16-10.23	■	
E 220 d (213.004) (OM 654.920)	AMG Sports Package, SA P31,U29, sports package	Diesel	RWD	1950	143	194	01.16-10.23	■	
E 220 d 4-matic (213.005) (OM 654.920)	AMG Sports Package, SA P31,U29, sports package	Diesel	4WD	1950	143	194	10.16-10.23	■	
E 300 d (213.008) (OM 654.920)	AMG Sports Package, SA P31,U29, sports package	Diesel	RWD	1950	180	245	12.17-06.20	■	
E 350 d (213.033) (OM 642.855)	AMG Sports Package, Syst. Standard, SA P31,158	Diesel	RWD	2987	190	258	01.16-05.18	■	
E 350 d 4-matic (213.034) (OM 642.873)	AMG Sports Package, SA P31,158	Diesel	4WD	2987	190	258	06.17-05.18	■	
E-Class V All-Terrain (S213) 01.17-						Estate (Executive car-E Segment)			
E 200 EQ Boost (213.279) (M 264.920)	AMG Sports Package, SA P31,U29, sports package	Gasol./el éc.	4WD	1991	145	197	08.20-08.23	■	
E 220 d 4-matic (213.217) (OM 654.920)	AMG Sports Package, SA P31,U29, sports package	Diesel	4WD	1950	143	194	01.17-10.23	■	
E 350 d 4-matic (213.237) (OM 642.873)	AMG Sports Package, SA P31,158	Diesel	4WD	2987	190	258	06.17-05.18	■	
E-Class V T-Model (S213) 07.16-						Estate (Executive car-E Segment)			
E 200 (213.242) (M 274.920)	AMG Sports Package, SA P31,U29, sports package	Gasolina	RWD	1991	135	184	07.16-06.20	■	
E 200 4-matic (213.243) (M 274.920)	AMG Sports Package, SA P31,U29, sports package	Gasolina	4WD	1991	135	184	01.17-06.19	■	
E 250 (213.245) (M 274.920)	AMG Sports Package, SA P31,U29, sports package	Gasolina	RWD	1991	155	211	07.16-11.18	■	
E 200 EQ Boost (213.280) (M 264.920)	AMG Sports Package, SA P31,U29, sports package	Gasol./el éc.	RWD	1991	145	197	06.19-10.23	■	
E 200 EQ Boost 4-matic (238.487) (M 264.920)	AMG Sports Package, SA P31,U29, sports package	Gasol./el éc.	4WD	1991	145	197	06.19-10.23	■	
E 300 e (213.253) (M 274.920)	AMG Sports Package, Syst. Standard, SA P31	Gasol./el éc.	RWD	1991	155	211	06.20-	■	
E 300 EQ Boost (213.283) (M 264.920)	Syst. Standard	Gasol./el éc.	RWD	1991	190	258	06.19-10.23	■	
E 300 e (213.253) (M 274.920)	AMG Sports Package, Syst. Standard, SA P31	Gasol./el éc.	RWD	1991	235	320	06.20-08.23	■	
E 200 d (213.212) (OM 654.916)	AMG Sports Package, SA P31,U29, sports package	Diesel	RWD	1597	118	160	11.18-08.23	■	
E 200 d (213.213) (OM 654.920)	AMG Sports Package, SA P31,U29, sports package	Diesel	RWD	1950	110	150	10.16-06.19	■	
E 220 d (213.204) (OM 654.920)	AMG Sports Package, SA P31,U29, sports package	Diesel	RWD	1950	120	163	07.16-10.23	■	
E 220 d (213.204) (OM 654.920)	AMG Sports Package, SA P31,U29, sports package	Diesel	RWD	1950	143	194	07.16-10.23	■	
E 220 d (213.206) (OM 654.920)	AMG Sports Package, SA P31,U29, sports package	Diesel	RWD	1950	143	194	09.20-	■	
E 220 d 4-matic (213.205) (OM 654.920)	AMG Sports Package, SA P31,U29, sports package	Diesel	4WD	1950	143	194	01.17-10.23	■	
E 300 d (213.208) (OM 654.920)	AMG Sports Package, SA P31,U29, sports package	Diesel	RWD	1950	180	245	12.17-06.20	■	
E 350 d (213.233) (OM 642.855)	Syst. Standard, AMG Sports Package, SA P31,158	Diesel	RWD	2987	190	258	10.16-05.18	■	
E 350 d 4-matic (213.234) (OM 642.873)	AMG Sports Package, SA P31,158	Diesel	4WD	2987	190	258	06.17-05.18	■	
GLC-Class (X253) 06.15-						SUV (Luxury Crossover SUV-J Segment)			
200 (253.943)	noSA 86B, not sports package, not AMG sports pack.	Gasolina	FWD	1991	135	184	06.16-	■	
200 d 4-matic (253.343)	sports package, AMG Sports Package	Gasolina	4WD	1991	135	184	11.16-04.19	■	
250 4-matic (253.346) (M 274.920)	not sports package, SA 86B, not AMG sports pack.	Gasolina	4WD	1991	155	211	06.16-04.19	■	

LISTA DE APLICACIONES - BUYERS GUIDE

250 4-matic (253.946) (M 274.920)	not AMG sports pack., not sports package, Syst. Standard, AMG Sports Package, SA P31,158, noSA 86B	Gasolina	4WD	1991	155	211	06.15-04.19	■
300 4-matic (253.949)	noSA 86B, not sports package, not AMG sports pack.	Gasolina	4WD	1991	177	241	07.15-04.19	■
300 (253.948) (M 274.920)	noSA 86B, not sports package, not AMG sports pack.	Gasolina	RWD	1991	180	245	01.16-04.19	■
300 4-matic (253.349) (M 274.920)	SA 86B, not sports package, not AMG sports pack.	Gasolina	4WD	1991	180	245	10.16-04.19	■
300 4-matic (253.949) (M 274.920)	not sports package, noSA 86B, not AMG sports pack.	Gasolina	4WD	1991	180	245	07.15-04.19	■
300 4-matic (253.384) (M 264.920)	Syst. Standard	Gasolina	4WD	1991	190	258	11.19-03.23	■
250 CNG 4-matic (253.946) (M 274.920)	noSA 86B, not sports package, not AMG sports pack.	Gasol./Gas (CNG)	4WD	1991	155	211	06.15-04.19	■
250 Flexfuel 4-matic (253.946) (M 274.920)	noSA 86B, not sports package, not AMG sports pack.	Gasol./Etanol	4WD	1991	155	211	06.15-04.19	■
200 4-matic (253.343)		Gasol./eléc.	4WD	1991	145	197	01.17-05.19	■
200 4-matic (253.943)		Gasol./eléc.	4WD	1991	145	197	01.16-12.18	■
200 EQ Boost (253.380) (M 264.920)	Syst. Standard	Gasol./eléc.	RWD	1991	145	197	04.19-03.23	■
200 EQ Boost (253.980) (M 264.920)	Syst. Standard	Gasol./eléc.	RWD	1991	145	197	04.19-06.22	■
200 EQ Boost 4-matic (253.981) (M 264.920)	Syst. Standard	Gasol./eléc.	4WD	1991	145	197	04.19-06.22	■
200 EQ Boost 4-matic (253.981) (M 264.920)	Syst. Standard	Gasol./eléc.	4WD	1991	145	197	04.19-03.23	■
350 e 4-matic (253.354) (M 274.920)	SA 158,P31	Gasol./eléc.	4WD	1991	155	211	10.16-04.19	■
350 e 4-matic (253.954) (M 274.920)	SA 158,P31, not sports package, not AMG sports pack.	Gasol./eléc.	4WD	1991	155	211	01.16-04.19	■
300 4-matic (253.349)		Gasol./eléc.	4WD	1991	190	258	11.16-05.19	■
300 4-matic (253.949)		Gasol./eléc.	4WD	1991	190	258	09.15-05.19	■
300 EQ Boost 4-matic (253.984) (M 264.920)	Syst. Standard	Gasol./eléc.	4WD	1991	190	258	04.19-06.22	■
300 EQ Boost 4-matic (253.984) (M 264.920)	Syst. Standard	Gasol./eléc.	4WD	1991	190	258	04.19-03.23	■
350 e 4-matic (253.354) (M 274.920)	SA 158,P31	Gasol./eléc.	4WD	1991	235	320	10.16-04.19	■
350 e 4-matic (253.954) (M 274.920)	SA 158,P31, not sports package, not AMG sports pack.	Gasol./eléc.	4WD	1991	235	320	01.16-04.19	■
200 d (253.313) (OM 654.920)	Syst. Standard	Diesel	RWD	1950	120	163	04.19-08.21	■
200 d (253.913) (OM 654.920)	Syst. Standard	Diesel	RWD	1950	120	163	04.19-06.22	■
200 d 4-matic (253.316) (OM 654.920)	Syst. Standard	Diesel	4WD	1950	120	163	04.19-03.23	■
200 d 4-matic (253.916) (OM 654.920)	Syst. Standard	Diesel	4WD	1950	120	163	04.19-06.22	■
220 d (253.914) (OM 654.920)	Syst. Standard	Diesel	RWD	1950	143	194	04.19-06.22	■
220 d 4-matic (253.315) (OM 654.920)	Syst. Standard	Diesel	4WD	1950	143	194	04.19-03.23	■
220 d 4-matic (253.915) (OM 654.920)	Syst. Standard	Diesel	4WD	1950	143	194	04.19-06.22	■
300 d 4-matic (253.319) (OM 654.920)	Syst. Standard	Diesel	4WD	1950	180	245	04.19-03.23	■
300 d 4-matic (253.919) (OM 654.920)	Syst. Standard	Diesel	4WD	1950	180	245	04.19-06.22	■
220 d 4-matic (253.303, 253.305) (OM 651.921)	not sports package, noSA 86B, not AMG sports pack.	Diesel	4WD	2143	120	163	06.16-04.19	■
220 d 4-matic (253.905, 253.903) (OM 651.921)	Syst. Standard, not AMG sports pack., not sports package, AMG Sports Package, SA P31,158, noSA 86B	Diesel	4WD	2143	120	163	06.15-04.19	■
220 d 4-matic (253.303, 253.305) (OM 651.921)	not sports package, noSA 86B, not AMG sports pack.	Diesel	4WD	2143	125	170	06.16-04.19	■
220 d 4-matic (253.905, 253.903) (OM 651.921)	not AMG sports pack., not sports package, AMG Sports Package, SA P31,158, Syst. Standard, noSA 86B	Diesel	4WD	2143	125	170	06.15-04.19	■

LISTA DE APLICACIONES - BUYERS GUIDE

250 d 4-matic (253.309) (OM 651.921)	noSA 86B, not sports package, not AMG sports pack.	Diesel	4WD	2143	150	204	06.16-04.19	■
250 d 4-matic (253.909) (OM 651.921)	not AMG sports pack., not sports package, Syst. Standard, AMG Sports Package, SA P31,158, noSA 86B	Diesel	4WD	2143	150	204	06.15-04.19	■
350 d 4-matic (253.325) (OM 642.873)		Diesel	4WD	2987	190	258	10.16-04.19	■
350 d 4-matic (253.925) (OM 642.873)	not AMG sports pack., noSA 86B, not sports package	Diesel	4WD	2987	190	258	10.16-04.19	■

MERCEDES-BENZ (BBDC)

E-Class (W213) 01.16-					Saloon (Executive car-E Segment)			
E 300 L (213.183)	China	Gasolina	RWD	1991	190	258	03.19-	■
E 350 L EQ Boost 4-matic (213.186)	China	Gasol./el éc.	4WD	1991	220	299	03.19-	■