

LISTA DE APLICACIONES - BUYERS GUIDE

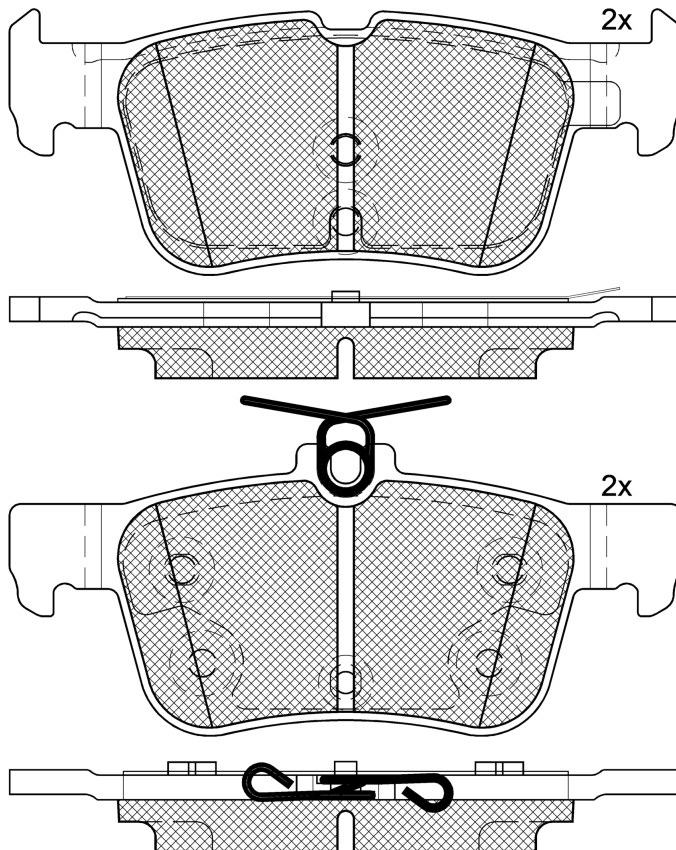
182198-200



Qty: 300

Weight: 950

O.E.M.	MAKE
2 110 582	FORD
2 465 422	FORD
2 494 035	FORD
2211284	FORD USA
2379248	FORD USA
2433333	FORD USA
2454300	FORD USA
5302023	FORD USA
5333798	FORD USA
5341206	FORD
DG9C2M007CB	FORD USA
DG9C2M007DB	FORD USA
DG9C2M007GA	FORD
KTJ1GC2M007AA	FORD USA
KTJ1GC2M007AB	FORD USA
KTJ1GC2M007AC	FORD USA
KTLX612M007AEB	FORD USA
KTLX61-2M007-BEA	FORD
MEDG9J-2M007-HA	FORD
MEK1GJ-2M008-AA	FORD



182198-200

E 9 90R-02A0111/4812



Ate - Teves

123.15x48.7x14.6

123.15x53.5x14.6

WVA

22231

22531

MAKE

FORD

FORD (CHANGAN)

FORD AUSTRALIA

FORD USA



Trac.	CC	Kw	CV
-------	----	----	----



Front / Rear

FORD

FOCUS IV (HN) 01.18-							Hatchback (Compact car-C Segment)	
1.0 EcoBoost (SFDC)		Gasolina	FWD	998	63	85	05.18-11.25	■
1.0 EcoBoost (B3DA)		Gasolina	FWD	999	74	101	01.18-11.25	■
1.0 EcoBoost (B7DA)		Gasolina	FWD	999	92	125	01.18-11.25	■
1.5 Ti-VCT (Y2DA)		Gasolina	FWD	1496	90	123	11.18-11.25	■
1.5 EcoBoost (YZDA)		Gasolina	FWD	1496	110	150	09.18-11.25	■
1.5 EcoBoost (Y1DA)		Gasolina	FWD	1496	134	182	09.18-11.25	■
2.3 ST EcoBoost (N3DA)		Gasolina	FWD	2261	206	280	04.19-11.25	■
2.3 ST EcoBoost (N3DB)		Gasolina	FWD	2261	206	280	04.19-11.25	■
1.0 EcoBoost mHEV Flex		Gasol./etanol/eléc	FWD	999	92	125	01.22-11.25	■
1.0 EcoBoost mHEV		Gasol./eléc.	FWD	999	92	125	06.20-11.25	■
1.0 ECOBOOST MHEV ACTIVE		Gasol./eléc.	FWD	999	92	125	01.21-11.25	■
1.0 EcoBoost mHEV		Gasol./eléc.	FWD	999	114	155	06.20-11.25	■
1.0 ECOBOOST MHEV ACTIVE		Gasol./eléc.	FWD	999	114	155	01.21-	■
1.5 EcoBlue (Z2DA)		Diesel	FWD	1499	70	95	01.18-11.25	■
1.5 EcoBlue		Diesel	FWD	1499	85	116	08.22-11.25	■
1.5 EcoBlue (ZTDA)		Diesel	FWD	1499	88	120	01.18-11.25	■
1.5 EcoBlue (ZTDB)		Diesel	FWD	1499	88	120	01.18-11.25	■
2.0 EcoBlue (YLDA)		Diesel	FWD	1995	110	150	01.18-11.25	■
2.0 ST EcoBlue		Diesel	FWD	1996	140	190	04.19-11.25	■

LISTA DE APLICACIONES - BUYERS GUIDE

FOCUS IV (HM) 11.18-					Saloon (Compact car-C Segment)			
1.0 EcoBoost (B3DA)		Gasolina	FWD	999	74	101	11.18-11.25	■
1.0 EcoBoost (B7DA)		Gasolina	FWD	999	92	125	11.18-11.25	■
1.5 Ti-VCT (Y2DA)		Gasolina	FWD	1496	90	122	11.18-11.25	■
1.5 EcoBoost (YZDA)		Gasolina	FWD	1496	110	150	11.18-11.25	■
1.5 EcoBlue (Z2DA)		Diesel	FWD	1499	70	95	11.18-11.25	■
1.5 EcoBlue		Diesel	FWD	1499	85	116	05.24-11.25	■
1.5 EcoBlue (ZTDA)		Diesel	FWD	1499	88	120	11.18-11.25	■
1.5 EcoBlue (ZTDB)		Diesel	FWD	1499	88	120	11.18-11.25	■
FOCUS IV Turnier (HP) 09.18-					Estate (Compact car-C Segment)			
1.0 EcoBoost (SFDC)		Gasolina	FWD	998	63	85	09.18-11.25	■
1.0 EcoBoost (B3DA)		Gasolina	FWD	999	74	101	09.18-11.25	■
1.0 EcoBoost (B7DA)		Gasolina	FWD	999	92	125	09.18-11.25	■
1.5 Ti-VCT (Y2DA)		Gasolina	FWD	1496	90	122	09.18-11.25	■
1.5 EcoBoost (YZDA)		Gasolina	FWD	1496	110	150	09.18-11.25	■
1.5 EcoBoost (Y1DA)		Gasolina	FWD	1496	134	182	09.18-11.25	■
2.3 ST EcoBoost (N3DA)		Gasolina	FWD	2261	206	280	04.19-11.25	■
2.3 ST EcoBoost (N3DB)		Gasolina	FWD	2261	206	280	04.19-11.25	■
1.0 EcoBoost mHEV Flex		Gasol./etanol/eléc.	FWD	999	92	125	12.22-11.25	■
1.0 EcoBoost mHEV		Gasol./eléc.	FWD	999	92	125	07.20-11.25	■
1.0 EcoBoost mHEV		Gasol./eléc.	FWD	999	114	155	07.20-11.25	■
1.5 EcoBlue (Z2DA)		Diesel	FWD	1499	70	95	09.18-11.25	■
1.5 EcoBlue		Diesel	FWD	1499	85	116	08.22-11.25	■
1.5 EcoBlue (ZTDA)		Diesel	FWD	1499	88	120	09.18-11.25	■
1.5 EcoBlue (ZTDB)		Diesel	FWD	1499	88	120	09.18-11.25	■
2.0 EcoBlue (YLDA)		Diesel	FWD	1995	110	150	09.18-11.25	■
2.0 ST EcoBlue		Diesel	FWD	1995	140	190	04.19-11.25	■
GALAXY III (CK) 01.15-					MPV (Large MPV-M1 Segment)			
2.0 EcoBoost (R9CD)	01/19-	Gasolina	FWD	1999	176	240	01.15-04.23	■
2.0 EcoBoost (R9CI)	01/19-	Gasolina	FWD	1999	176	240	01.15-04.23	■
2.5 FHEV		Gasol./eléc.	FWD	2488	140	190	07.21-04.23	■
2.0 EcoBlue (BCCC)		Diesel	FWD	1995	140	190	07.18-04.23	■
2.0 EcoBlue 4x4 (BCCC)		Diesel	4WD	1995	140	190	07.18-04.23	■
2.0 EcoBlue BI-Turbo (YLCB)		Diesel	FWD	1995	176	240	07.18-04.23	■
GALAXY III Van (CK) 03.19-					Box Body/MPV (Large MPV-M1 Segment)			
2.0 EcoBlue AWD (BCCC)		Diesel	4WD	1995	140	190	03.19-04.23	■
KUGA II / ESCAPE III 05.12-					SUV Van (Compact SUV-J Segment)			
1.5 EcoBoost (BNMA)	elec.brake detention	Gasolina	FWD	1499	88	120	06.19-12.19	■
1.5 EcoBoost (M8MA)	elec.brake detention	Gasolina	FWD	1499	110	150	09.14-12.19	■
1.5 EcoBoost 4x4	elec.brake detention	Gasolina	4WD	1499	129	176	06.19-12.19	■
1.5 EcoBoost 4x4 (M9MA)	elec.brake detention	Gasolina	4WD	1499	134	182	09.14-12.19	■
1.5 TDCi (XWMB)	elec.brake detention	Diesel	FWD	1499	88	120	01.19-12.19	■
1.5 TDCi (XWMC)	elec.brake detention	Diesel	FWD	1499	88	120	01.19-12.19	■
2.0 TDCi (XRMA)	elec.brake detention	Diesel	FWD	1997	88	120	09.14-12.19	■
2.0 TDCi (XRMB)	elec.brake detention	Diesel	FWD	1997	88	120	09.14-12.19	■
2.0 TDCi	elec.brake detention	Diesel	FWD	1997	103	140	06.12-12.19	■
2.0 TDCi (T7MA)	elec.brake detention	Diesel	FWD	1997	110	150	09.14-12.19	■

LISTA DE APLICACIONES - BUYERS GUIDE

2.0 TDCi (T7MB)	elec.brake detention	Diesel	FWD	1997	110	150	09.14-12.19	■
2.0 TDCi 4x4 (T7MA)	elec.brake detention	Diesel	4WD	1997	110	150	09.14-12.19	■
2.0 TDCi 4x4 (T7MB)	elec.brake detention	Diesel	4WD	1997	110	150	09.14-12.19	■
2.0 TDCi 4x4 (T8MA)	elec.brake detention	Diesel	4WD	1998	132	180	09.14-12.19	■
2.0 TDCi 4x4 (T8MB)	elec.brake detention	Diesel	4WD	1998	132	180	09.14-12.19	■
KUGA II / ESCAPE III (DM2) 05.12-				SUV (Compact SUV-J Segment)				
1.5 EcoBoost (BNMA)	elec.brake detention	Gasolina	FWD	1499	88	120	01.16-06.19	■
1.5 EcoBoost (M8MA)	elec.brake detention	Gasolina	FWD	1499	110	150	09.14-06.19	■
1.5 EcoBoost 4x4 (M8MA)	elec.brake detention	Gasolina	4WD	1499	110	150	07.16-12.19	■
1.5 EcoBoost 4x4	elec.brake detention	Gasolina	4WD	1499	129	176	08.18-06.19	■
1.5 EcoBoost 4x4		Gasolina	4WD	1499	132	180	10.15-12.19	■
1.5 EcoBoost 4x4 (M9MA)	elec.brake detention	Gasolina	4WD	1499	134	182	09.14-06.18	■
1.6 EcoBoost (JQMA)	elec.brake detention	Gasolina	FWD	1596	110	150	03.13-09.14	■
1.6 EcoBoost (JQMB)	elec.brake detention	Gasolina	FWD	1596	110	150	03.13-09.14	■
1.6 EcoBoost 4x4 (JQMA)	elec.brake detention	Gasolina	4WD	1596	110	150	03.13-09.14	■
1.6 EcoBoost 4x4 (JQMB)	elec.brake detention	Gasolina	4WD	1596	110	150	03.13-09.14	■
1.6 EcoBoost 4x4 (JTMA)	elec.brake detention	Gasolina	4WD	1596	132	179	10.12-12.19	■
1.6 EcoBoost 4x4 (JTMA)	elec.brake detention	Gasolina	4WD	1596	134	182	03.13-09.14	■
2.0 EcoBoost 4x4	elec.brake detention	Gasolina	4WD	1999	169	230	03.19-12.19	■
2.0 EcoBoost 4x4 (R9MA)	elec.brake detention	Gasolina	4WD	1999	178	242	08.17-06.18	■
2.5	elec.brake detention	Gasolina	FWD	2488	110	150	01.14-12.19	■
1.5 EcoBoost E85	elec.brake detention	Etanol	FWD	1499	110	150	02.19-11.19	■
1.5 TDCi (XWMB)	elec.brake detention	Diesel	FWD	1499	88	120	07.16-06.19	■
1.5 TDCi (XWMC)	elec.brake detention	Diesel	FWD	1499	88	120	07.16-06.19	■
2.0 TDCi (TYMA)	elec.brake detention	Diesel	FWD	1997	85	115	03.13-12.19	■
2.0 TDCi (XRMA)	elec.brake detention	Diesel	FWD	1997	88	120	09.14-06.19	■
2.0 TDCi (XRMB)	elec.brake detention	Diesel	FWD	1997	88	120	09.14-06.19	■
2.0 TDCi (UKMA)	elec.brake detention	Diesel	FWD	1997	100	136	03.13-12.19	■
2.0 TDCi 4x4 (UKMA)	elec.brake detention	Diesel	4WD	1997	100	136	03.13-12.19	■
2.0 TDCi (UFMA)	elec.brake detention	Diesel	FWD	1997	103	140	03.13-09.14	■
2.0 TDCi 4x4 (UFMA)	elec.brake detention	Diesel	4WD	1997	103	140	03.13-09.14	■
2.0 TDCi (T7MA)	elec.brake detention	Diesel	FWD	1997	110	150	09.14-06.19	■
2.0 TDCi (T7MB)	elec.brake detention	Diesel	FWD	1997	110	150	09.14-06.19	■
2.0 TDCi (T7MC)	elec.brake detention	Diesel	FWD	1997	110	150	09.14-06.19	■
2.0 TDCi (T7MD)	elec.brake detention	Diesel	FWD	1997	110	150	09.14-06.19	■
2.0 TDCi 4x4 (T7MA)	elec.brake detention	Diesel	4WD	1997	110	150	09.14-06.19	■
2.0 TDCi 4x4 (T7MB)	elec.brake detention	Diesel	4WD	1997	110	150	09.14-06.19	■
2.0 TDCi 4x4 (TXDA)	elec.brake detention	Diesel	4WD	1997	120	163	03.13-09.14	■
2.0 TDCi 4x4 (TXMA)	elec.brake detention	Diesel	4WD	1997	120	163	03.13-09.14	■
2.0 TDCi 4x4 (T8MA)	elec.brake detention	Diesel	4WD	1997	132	180	09.14-06.19	■
2.0 TDCi 4x4 (T8MB)	elec.brake detention	Diesel	4WD	1997	132	180	09.14-06.19	■
KUGA III / ESCAPE IV (DFK) 07.19-				SUV (Compact SUV-J Segment)				
1.5 EcoBoost		Gasolina	FWD	1496	88	120	07.19-	■
1.5 EcoBoost		Gasolina	FWD	1497	110	150	07.19-	■
2.5 Hybrid Flex		Gasol./etanol/eléc.	FWD	2488	140	190	06.23-	■
2.5 FHEV		Gasol./eléc.	FWD	2488	112	152	01.21-	■
2.5 FHEV 4x4		Gasol./eléc.	4WD	2488	112	152	01.21-	■
2.5 Duratec FHEV		Gasol./eléc.	FWD	2488	132	179	01.24-	■

LISTA DE APLICACIONES - BUYERS GUIDE

2.5 Duratec FHEV 4x4		Gasol./el éc.	4WD	2488	134	182	01.24-	■
2.5 FHEV		Gasol./el éc.	FWD	2488	140	190	01.21-	■
2.5 FHEV 4x4		Gasol./el éc.	4WD	2488	140	190	01.21-	■
2.5 Duratec Plug-in-Hybrid 4x4		Gasol./el éc.	FWD	2488	165	224	07.19-	■
2.5 Duratec Plug-in-Hybrid 4x4		Gasol./el éc.	4WD	2488	165	224	07.19-	■
2.5 Duratec PHEV		Gasol./el éc.	FWD	2488	178	242	01.24-	■
2.0 EcoBlue mHEV (YLDC)		Diesel/el éc.	FWD	1995	110	150	07.19-	■
1.5 EcoBlue (ZTDA)		Diesel	FWD	1499	88	120	07.19-	■
2.0 TDCi		Diesel	FWD	1995	88	120	11.22-	■
2.0 TDCi 4x4		Diesel	4WD	1995	88	120	11.22-	■
2.0 EcoBlue 4x4		Diesel	4WD	1995	140	190	07.19-	■
2.0 EcoBlue 4x4		Diesel	4WD	1996	110	150	02.21-	■
MONDEO V (CE) 09.14-					Hatchback (Large family car-D Segment)			
1.0 EcoBoost (M1CA)		Gasolina	FWD	998	92	125	02.15-03.22	■
1.0 EcoBoost (M1CB)		Gasolina	FWD	998	92	125	02.15-03.22	■
1.5 EcoBoost (UNCA)		Gasolina	FWD	1499	118	160	09.14-03.22	■
1.5 EcoBoost (UNCB)		Gasolina	FWD	1499	118	160	09.14-03.22	■
1.5 EcoBoost (UNCE)		Gasolina	FWD	1499	118	160	09.14-03.22	■
1.5 EcoBoost (UNCF)		Gasolina	FWD	1499	118	160	09.14-03.22	■
1.5 EcoBoost (UNCN)		Gasolina	FWD	1499	121	165	05.18-03.22	■
2.0 EcoBoost (TNCD)	01/19-	Gasolina	FWD	1999	149	203	09.14-03.22	■
2.0 EcoBoost (TNCF)	01/19-	Gasolina	FWD	1999	149	203	09.14-03.22	■
2.0 EcoBoost (R9CB)	01/19-	Gasolina	FWD	1999	176	240	09.14-03.22	■
2.0 EcoBoost (R9CF)	01/19-	Gasolina	FWD	1999	176	240	09.14-03.22	■
2.0 EcoBoost (R9CH)	01/19-	Gasolina	FWD	1999	176	240	09.14-03.22	■
1.5 TDCi (UGCC)		Diesel	FWD	1499	88	120	03.15-03.22	■
1.5 TDCi (XUCA)		Diesel	FWD	1499	88	120	03.15-03.22	■
1.6 TDCi (NGCA)		Diesel	FWD	1560	85	115	09.14-03.22	■
1.6 TDCi (U3CA)		Diesel	FWD	1560	85	115	09.14-03.22	■
2.0 EcoBlue (BCCD)		Diesel	FWD	1995	88	120	01.19-03.22	■
2.0 EcoBlue (YLCC)		Diesel	FWD	1995	110	150	01.19-03.22	■
2.0 EcoBlue (YMCC)		Diesel	FWD	1995	140	190	01.19-03.22	■
2.0 EcoBlue 4x4 (YMCC)		Diesel	4WD	1995	140	190	01.19-03.22	■
2.0 TDCi (T7CA)		Diesel	FWD	1998	110	150	09.14-03.22	■
2.0 TDCi (T7CC)		Diesel	FWD	1998	110	150	09.14-03.22	■
2.0 TDCi (T7CD)		Diesel	FWD	1998	110	150	09.14-03.22	■
2.0 TDCi (T7CE)		Diesel	FWD	1998	110	150	09.14-03.22	■
2.0 TDCi (T7CF)		Diesel	FWD	1998	110	150	09.14-03.22	■
2.0 TDCi (T7CN)		Diesel	FWD	1998	110	150	09.14-03.22	■
2.0 TDCi (T7CP)		Diesel	FWD	1998	110	150	09.14-03.22	■
2.0 TDCi (T7CQ)		Diesel	FWD	1998	110	150	09.14-03.22	■
2.0 TDCi 4x4 (T7CA)		Diesel	4WD	1998	110	150	02.15-03.22	■
2.0 TDCi 4x4 (T7CC)		Diesel	4WD	1998	110	150	02.15-03.22	■
2.0 TDCi 4x4 (T7CD)		Diesel	4WD	1998	110	150	02.15-03.22	■
2.0 TDCi 4x4 (T7CE)		Diesel	4WD	1998	110	150	02.15-03.22	■
2.0 TDCi 4x4 (T7CF)		Diesel	4WD	1998	110	150	02.15-03.22	■
2.0 TDCi 4x4 (T7CN)		Diesel	4WD	1998	110	150	02.15-03.22	■
2.0 TDCi 4x4 (T7CP)		Diesel	4WD	1998	110	150	02.15-03.22	■

LISTA DE APLICACIONES - BUYERS GUIDE

2.0 TDCi 4x4 (T7CQ)		Diesel	4WD	1998	110	150	02.15-03.22	■
2.0 TDCi (T8CA)		Diesel	FWD	1998	132	180	09.14-03.22	■
2.0 TDCi (T8CC)		Diesel	FWD	1998	132	180	09.14-03.22	■
2.0 TDCi (T8CD)		Diesel	FWD	1998	132	180	09.14-03.22	■
2.0 TDCi (T8CL)		Diesel	FWD	1998	132	180	09.14-03.22	■
2.0 TDCi 4x4 (T8CA)		Diesel	4WD	1998	132	180	02.15-03.22	■
2.0 TDCi 4x4 (T8CB)		Diesel	4WD	1998	132	180	02.15-03.22	■
2.0 TDCi 4x4 (T8CC)		Diesel	4WD	1998	132	180	02.15-03.22	■
2.0 TDCi 4x4 (T8CD)		Diesel	4WD	1998	132	180	02.15-03.22	■
2.0 TDCi 4x4 (T8CL)		Diesel	4WD	1998	132	180	02.15-03.22	■
2.0 TDCi Bi-Turbo (T9CA)	01/19-	Diesel	FWD	1998	154	210	03.15-03.22	■
MONDEO V (CD) 09.12-						Saloon (Large family car-D Segment)		
1.0 EcoBoost (M1CA)		Gasolina	FWD	998	92	125	02.15-03.22	■
1.0 EcoBoost (M1CB)		Gasolina	FWD	998	92	125	02.15-03.22	■
1.5 EcoBoost (UNCA)		Gasolina	FWD	1499	118	160	09.14-03.22	■
1.5 EcoBoost (UNCB)		Gasolina	FWD	1499	118	160	09.14-03.22	■
1.5 EcoBoost (UNCE)		Gasolina	FWD	1499	118	160	09.14-03.22	■
1.5 EcoBoost (UNCF)		Gasolina	FWD	1499	118	160	09.14-03.22	■
1.5 EcoBoost (UNCN)		Gasolina	FWD	1499	121	165	01.19-03.22	■
2.0 EcoBoost (TNCC)	01/19-	Gasolina	FWD	1999	146	199	05.15-03.22	■
2.0 EcoBoost (TNCD)	01/19-	Gasolina	FWD	1999	149	203	05.15-03.22	■
2.0 EcoBoost (TNCF)	01/19-	Gasolina	FWD	1999	149	203	05.15-03.22	■
2.0 EcoBoost (R9CB)	01/19-	Gasolina	FWD	1999	176	240	05.15-03.22	■
2.0 EcoBoost (R9CF)	01/19-	Gasolina	FWD	1999	176	240	05.15-03.22	■
2.0 EcoBoost (R9CH)	01/19-	Gasolina	FWD	1999	176	240	05.15-03.22	■
2.0 EcoBoost		Gasolina	FWD	1999	179	243	09.12-07.16	■
2.5 (S7CB)		Gasolina	FWD	2489	110	149	05.15-03.22	■
2.0 Hybrid (UACA)		Gasol./el éc.	FWD	1999	103	140	10.14-	■
2.0 Hybrid		Gasol./el éc.	FWD	1999	130	177	09.14-03.22	■
2.0 Hybrid		Gasol./el éc.	FWD	1999	138	188	01.19-03.22	■
2.0 Hybrid	01/19-	Gasol./el éc.	FWD	1999	140	190	09.14-03.22	■
2.0 Hybrid		Gasol./el éc.	FWD	1999	140	190	08.14-03.22	■
1.5 TDCi (UGCC)		Diesel	FWD	1499	88	120	03.15-03.22	■
1.5 TDCi (XUCA)		Diesel	FWD	1499	88	120	03.15-03.22	■
2.0 EcoBlue (BCCD)		Diesel	FWD	1995	88	120	01.19-03.22	■
2.0 EcoBlue (YLCC)		Diesel	FWD	1995	110	150	01.19-03.22	■
2.0 EcoBlue (YMCC)		Diesel	FWD	1995	140	190	01.19-03.22	■
2.0 EcoBlue 4x4 (YMCC)		Diesel	4WD	1995	140	190	01.19-03.22	■
2.0 TDCi (T7CA)		Diesel	FWD	1998	110	150	09.14-03.22	■
2.0 TDCi (T7CC)		Diesel	FWD	1998	110	150	09.14-03.22	■
2.0 TDCi (T7CD)		Diesel	FWD	1998	110	150	09.14-03.22	■
2.0 TDCi (T7CE)		Diesel	FWD	1998	110	150	09.14-03.22	■
2.0 TDCi (T7CF)		Diesel	FWD	1998	110	150	09.14-03.22	■
2.0 TDCi (T7CN)		Diesel	FWD	1998	110	150	09.14-03.22	■
2.0 TDCi (T7CP)		Diesel	FWD	1998	110	150	09.14-03.22	■
2.0 TDCi (T7CQ)		Diesel	FWD	1998	110	150	09.14-03.22	■
2.0 TDCi 4x4 (T7CA)		Diesel	4WD	1998	110	150	09.14-03.22	■
2.0 TDCi 4x4 (T7CC)		Diesel	4WD	1998	110	150	09.14-03.22	■
2.0 TDCi 4x4 (T7CD)		Diesel	4WD	1998	110	150	09.14-03.22	■

LISTA DE APLICACIONES - BUYERS GUIDE

2.0 TDCi 4x4 (T7CE)		Diesel	4WD	1998	110	150	09.14-03.22	■
2.0 TDCi 4x4 (T7CF)		Diesel	4WD	1998	110	150	09.14-03.22	■
2.0 TDCi 4x4 (T7CN)		Diesel	4WD	1998	110	150	09.14-03.22	■
2.0 TDCi 4x4 (T7CP)		Diesel	4WD	1998	110	150	09.14-03.22	■
2.0 TDCi 4x4 (T7CQ)		Diesel	4WD	1998	110	150	09.14-03.22	■
2.0 TDCi (T8CA)		Diesel	FWD	1998	132	180	05.15-03.22	■
2.0 TDCi (T8CC)		Diesel	FWD	1998	132	180	05.15-03.22	■
2.0 TDCi (T8CD)		Diesel	FWD	1998	132	180	05.15-03.22	■
2.0 TDCi (T8CL)		Diesel	FWD	1998	132	180	05.15-03.22	■
2.0 TDCi 4x4 (T8CA)		Diesel	4WD	1998	132	180	05.15-03.22	■
2.0 TDCi 4x4 (T8CC)		Diesel	4WD	1998	132	180	05.15-03.22	■
2.0 TDCi 4x4 (T8CD)		Diesel	4WD	1998	132	180	05.15-03.22	■
2.0 TDCi 4x4 (T8CL)		Diesel	4WD	1998	132	180	05.15-03.22	■
2.0 TDCi Bi-Turbo (T9CA)	01/19-	Diesel	FWD	1998	154	210	05.15-03.22	■
MONDEO V Turnier (CF) 09.14-					Estate (Large family car-D Segment)			
1.0 EcoBoost (M1CA)		Gasolina	FWD	998	92	125	02.15-03.22	■
1.0 EcoBoost (M1CB)		Gasolina	FWD	998	92	125	02.15-03.22	■
1.5 EcoBoost (UNCA)		Gasolina	FWD	1499	118	160	09.14-03.22	■
1.5 EcoBoost (UNCB)		Gasolina	FWD	1499	118	160	09.14-03.22	■
1.5 EcoBoost (UNCE)		Gasolina	FWD	1499	118	160	09.14-03.22	■
1.5 EcoBoost (UNCF)		Gasolina	FWD	1499	118	160	09.14-03.22	■
1.5 EcoBoost (UNCN)		Gasolina	FWD	1499	121	165	05.18-03.22	■
2.0 EcoBoost (TNCB)	01/19-	Gasolina	FWD	1999	149	203	09.14-03.22	■
2.0 EcoBoost (TNCD)	01/19-	Gasolina	FWD	1999	149	203	09.14-03.22	■
2.0 EcoBoost (TNCF)	01/19-	Gasolina	FWD	1999	149	203	09.14-03.22	■
2.0 EcoBoost (R9CB)	01/19-	Gasolina	FWD	1999	176	240	09.14-03.22	■
2.0 EcoBoost (R9CF)	01/19-	Gasolina	FWD	1999	176	240	09.14-03.22	■
2.0 EcoBoost (R9CH)	01/19-	Gasolina	FWD	1999	176	240	09.14-03.22	■
2.0 Hybrid (UACA)		Gasol./el éc.	FWD	1999	103	140	02.19-	■
2.0 Hybrid iVCT		Gasol./el éc.	FWD	1999	138	188	01.19-03.22	■
1.5 TDCi (UGCC)		Diesel	FWD	1499	88	120	03.15-03.22	■
1.5 TDCi (XUCA)		Diesel	FWD	1499	88	120	03.15-03.22	■
1.6 TDCi (NGCA)		Diesel	FWD	1560	85	115	09.14-03.22	■
1.6 TDCi (U3CA)		Diesel	FWD	1560	85	115	09.14-03.22	■
2.0 EcoBlue (BCCD)		Diesel	FWD	1995	88	120	01.19-03.22	■
2.0 EcoBlue (YLCC)		Diesel	FWD	1995	110	150	01.19-03.22	■
2.0 EcoBlue (YMCC)		Diesel	FWD	1995	140	190	01.19-03.22	■
2.0 EcoBlue 4x4 (YMCC)		Diesel	4WD	1995	140	190	01.19-03.22	■
2.0 TDCi (T7CA)		Diesel	FWD	1998	110	150	09.14-03.22	■
2.0 TDCi (T7CC)		Diesel	FWD	1998	110	150	09.14-03.22	■
2.0 TDCi (T7CD)		Diesel	FWD	1998	110	150	09.14-03.22	■
2.0 TDCi (T7CE)		Diesel	FWD	1998	110	150	09.14-03.22	■
2.0 TDCi (T7CF)		Diesel	FWD	1998	110	150	09.14-03.22	■
2.0 TDCi (T7CN)		Diesel	FWD	1998	110	150	09.14-03.22	■
2.0 TDCi (T7CP)		Diesel	FWD	1998	110	150	09.14-03.22	■
2.0 TDCi (T7CQ)		Diesel	FWD	1998	110	150	09.14-03.22	■
2.0 TDCi 4x4 (T7CA)		Diesel	4WD	1998	110	150	02.15-03.22	■
2.0 TDCi 4x4 (T7CC)		Diesel	4WD	1998	110	150	02.15-03.22	■
2.0 TDCi 4x4 (T7CD)		Diesel	4WD	1998	110	150	02.15-03.22	■
2.0 TDCi 4x4 (T7CE)		Diesel	4WD	1998	110	150	02.15-03.22	■

LISTA DE APLICACIONES - BUYERS GUIDE

2.0 TDCi 4x4 (T7CF)		Diesel	4WD	1998	110	150	02.15-03.22	■	
2.0 TDCi 4x4 (T7CN)		Diesel	4WD	1998	110	150	02.15-03.22	■	
2.0 TDCi 4x4 (T7CP)		Diesel	4WD	1998	110	150	02.15-03.22	■	
2.0 TDCi 4x4 (T7CQ)		Diesel	4WD	1998	110	150	02.15-03.22	■	
2.0 TDCi (T8CA)		Diesel	FWD	1998	132	180	09.14-03.22	■	
2.0 TDCi (T8CB)		Diesel	FWD	1998	132	180	09.14-03.22	■	
2.0 TDCi (T8CC)		Diesel	FWD	1998	132	180	09.14-03.22	■	
2.0 TDCi (T8CD)		Diesel	FWD	1998	132	180	09.14-03.22	■	
2.0 TDCi (T8CL)		Diesel	FWD	1998	132	180	09.14-03.22	■	
2.0 TDCi 4x4 (T8CA)		Diesel	4WD	1998	132	180	02.15-03.22	■	
2.0 TDCi 4x4 (T8CB)		Diesel	4WD	1998	132	180	02.15-03.22	■	
2.0 TDCi 4x4 (T8CC)		Diesel	4WD	1998	132	180	02.15-03.22	■	
2.0 TDCi 4x4 (T8CD)		Diesel	4WD	1998	132	180	02.15-03.22	■	
2.0 TDCi 4x4 (T8CL)		Diesel	4WD	1998	132	180	02.15-03.22	■	
2.0 TDCi Bi-Turbo (T9CA)	01/19-	Diesel	FWD	1998	154	210	03.15-03.22	■	
S-MAX II (CJ, WA6) 01.15-					MPV (Large MPV-M1 Segment)				
2.0 EcoBoost (R9CD)	01/19-	Gasolina	FWD	1999	176	240	01.15-04.23	■	
2.0 EcoBoost (R9CI)	01/19-	Gasolina	FWD	1999	176	240	01.15-04.23	■	
2.5 FHEV		Gasol./el éc.	FWD	2488	140	190	07.21-04.23	■	
2.0 EcoBlue (BCCC)		Diesel	FWD	1995	140	190	07.18-04.23	■	
2.0 EcoBlue 4x4 (BCCC)		Diesel	4WD	1995	140	190	07.18-04.23	■	
2.0 EcoBlue Bi-Turbo (YLCB)		Diesel	FWD	1995	176	240	07.18-04.23	■	
FORD (CHANGAN)									
EDGE 04.15-					SUV (Compact SUV-J Segment)				
2.0 GTDi (CAF488WQ5,CAF488WQB6)		Gasolina	FWD	1999	180	245	04.15-	■	
2.0 GTDi (CAF488WQ5,CAF488WQB6)		Gasolina	4WD	1999	180	245	04.15-	■	
2.7 GTDi 4WD (GTDIQ5)		Gasolina	4WD	2694	242	329	04.15-	■	
EDGE PLUS 12.20-					SUV (Compact SUV-J Segment)				
EcoBoost 245 (CAF488WQB6)		Gasolina	FWD	1999	180	245	12.20-	■	
EcoBoost 245 4WD (CAF488WQB6)		Gasolina	4WD	1999	180	245	12.20-	■	
ESCAPE IV 12.19-					SUV (Compact SUV-J Segment)				
EcoBoost 245 (CAF488WQE6)		Gasolina	FWD	1999	182	248	04.00-	■	
EcoBoost 245 A las 4 ruedas (CAF488WQE6)		Gasolina	4WD	1999	182	248	12.19-	■	
FOCUS Active 08.19-					Hatchback (Compact car-C Segment)				
EcoBoost 180 (CAF384WQ06)		Gasolina	FWD	1497	128	174	08.19-	■	
FOCUS Shooting Brake 11.20-					Estate (Compact car-C Segment)				
EcoBoost 180 (CAF384WQ06)		Gasolina	FWD	1497	128	174	11.20-	■	
FORD AUSTRALIA									
ENDURA (CA) 10.18-					SUV (Compact SUV-J Segment)				
2.0 (BCCA, BCCB)		Diesel	FWD	1995	140	190	10.18-	■	
2.0 AWD (BCCA, BCCB)		Diesel	4WD	1995	140	190	10.18-	■	
ESCAPE IV (ZH) 04.20-					SUV (Compact SUV-J Segment)				
2.0 EcoBoost		Gasolina	FWD	1997	183	249	04.20-	■	
2.0 EcoBoost		Gasolina	4WD	1997	183	249	04.20-	■	
2.5 Hybrid		Gasol./el éc.	FWD	2488	167	227	04.20-	■	
FOCUS (SA) 08.18-					Estate (Compact car-C Segment)				
1.5 EcoBoost (Y1DA)		Gasolina	FWD	1496	134	182	08.18-	■	

LISTA DE APLICACIONES - BUYERS GUIDE

2.0 EcoBoost (YLDA)		Gasolina	FWD	1995	110	150	08.18-	■
FOCUS (SA) 08.18-				Hatchback (Compact car-C Segment)				
1.5 EcoBoost (Y1DA)		Gasolina	FWD	1496	134	182	08.18-	■
2.3 ST		Gasolina	FWD	2261	206	280	12.19-	■
FORD USA								
EDGE II (CD539) 01.14-				SUV (Compact SUV-J Segment)				
2.0	01/19-	Gasolina	FWD	1999	183	249	09.14-	■
2.0 AWD	01/19-	Gasolina	4WD	1999	183	249	09.14-	■
2.0	01/19-	Gasolina	FWD	1999	186	253	01.15-	■
2.0 AWD	01/19-	Gasolina	4WD	1999	186	253	01.15-	■
2.7		Gasolina	FWD	2694	235	320	09.14-12.17	■
2.7 AWD		Gasolina	4WD	2694	235	320	09.14-12.17	■
2.7	01/19-	Gasolina	FWD	2694	239	325	09.14-	■
2.7 AWD	01/19-	Gasolina	4WD	2694	239	325	09.14-	■
2.7 AWD	01/19-	Gasolina	4WD	2694	250	340	01.15-	■
3.5	01/19-	Gasolina	FWD	3496	208	283	09.14-	■
3.5 AWD	01/19-	Gasolina	4WD	3496	208	283	09.14-	■
3.5 AWD	01/19-	Gasolina	4WD	3496	209	284	09.14-	■
3.5	01/19-	Gasolina	FWD	3496	213	290	09.14-	■
2.0 EcoBlue (YMCA)		Diesel	FWD	1995	110	150	08.18-	■
2.0 EcoBlue AWD (BCCA)		Diesel	4WD	1995	140	190	08.18-	■
2.0 EcoBlue AWD (BCCB)		Diesel	4WD	1995	140	190	08.18-	■
2.0 EcoBlue AWD (YLCA)		Diesel	4WD	1995	175	238	08.18-	■