


# LISTA DE APLICACIONES - BUYERS GUIDE

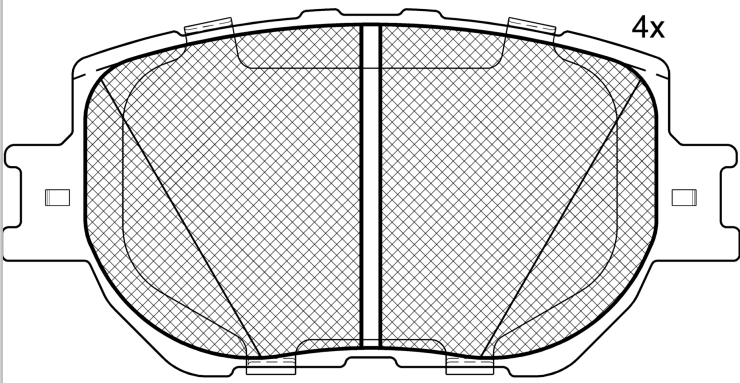
## 182200



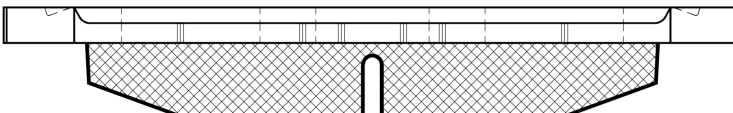
8 424073 109613


Qty: 300      Weight: 1.320

O.E.M.	MAKE
04465-30330	LEXUS
04465-30480	LEXUS



**Loose Shim**




2x 

1-Ref. 610228 E

## 182200

**E 9 90R-02A0111/4204**



Akebono

117.6x58.5x17.9

WVA	FMSI
26454	D1733-8957
26975	

MAKE
LEXUS
TOYOTA



Trac.	CC	Kw	CV



LEXUS										
<b>IS III ( _E3_ ) 04.13-</b>								<b>Saloon (Executive car-E Segment)</b>		
250 (GSE30_, GSE30R) (4GR-FSE)		01/14-, Eq.V_ 4WD		Gasolina	RWD	2499	153	208	04.13-08.15	■
TOYOTA										
<b>CROWN XII (CRS_, JZS_, GRS18_, UZS_) 09.03-12.08</b>								<b>Saloon (Luxury car-F Segment)</b>		
3.0 (GRS182) (3GR-FE)				Gasolina	RWD	2994	170	231	09.04-02.08	■
3.0 (GRS182) (3GR-FSE)		Eq.V_ ROY/ROYEX/ROYG		Gasolina	RWD	2994	188	256	09.03-01.08	■
3.0 4WD (GRS183) (3GR-FSE)				Gasolina	4WD	2995	188	256	12.03-02.08	■
<b>MARK X / REIZ (GRX12_) 03.04-09.09</b>								<b>Saloon (Executive car-E Segment)</b>		
2.5 (GRX130) (4GR-FSE)				Gasolina	RWD	2499	149	203	10.09-	■
2.5 4WD (GRX135) (4GR-FSE)				Gasolina	4WD	2499	149	203	10.09-	■
2.5 VVTi (GRX120_, GRX120) (4GR-FSE)				Gasolina	RWD	2499	158	215	11.04-09.09	■
2.5 VVTi 4WD (GRX125)				Gasolina	4WD	2499	158	215	11.04-09.09	■
3.0 VVTi (GRX121) (3GR-FSE)				Gasolina	RWD	2995	188	256	11.04-09.09	■