

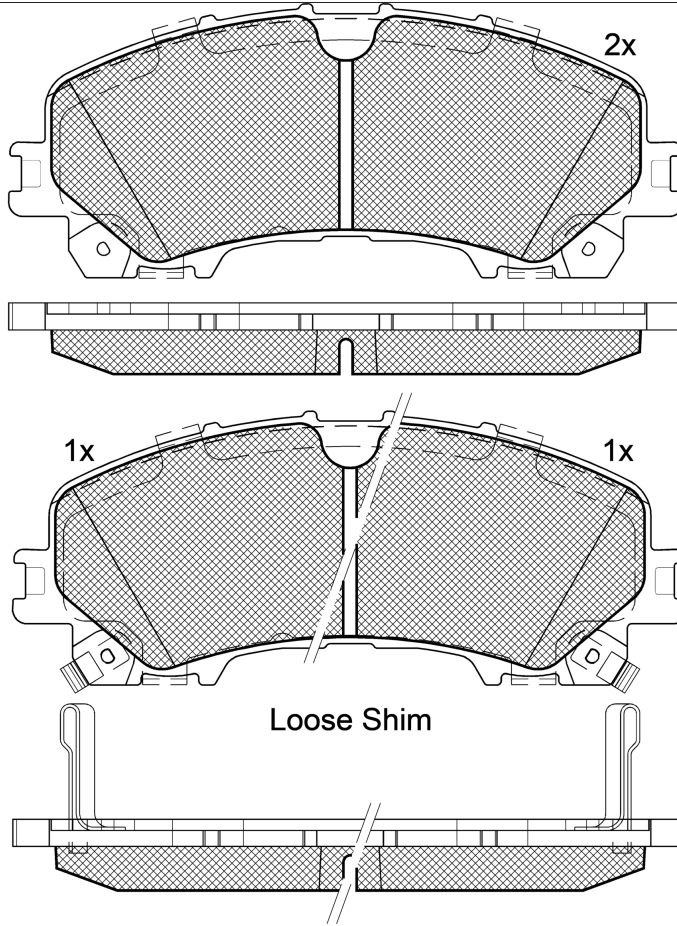
# LISTA DE APLICACIONES - BUYERS GUIDE

## 182202



Qty: 300

Weight: 1.895



## 182202

E 9 90R-02A0111/4205



Akebono

151.9x61.6x16.6

O.E.M.	MAKE
401 06 071 85R	RENAULT
41 06 071 85R	RENAULT
41 06 087 10R	RENAULT
41060-8710R	NISSAN
D1060-3WU0A	INFINITI (DFAC)
D1060-4CC0A	NISSAN
D1060-4GA0A	INFINITI
D1060-4GA0B	INFINITI (DFAC)
D1060-4GA0J	NISSAN
D1060-4GA5A	INFINITI
D1060-4GS1B	INFINITI
D1060-5NA0A	INFINITI
D1060-6GP03	NISSAN
D1060-6HH0C	INFINITI (DFAC)

WVA	FMSI
22117	D1736-8906
22118	D1736-9154
22119	
25910	
25911	

MAKE
INFINITI
INFINITI (DFAC)
NISSAN
NISSAN (DFAC)
RENAULT



Trac.	CC	Kw	CV
-------	----	----	----



Front / Rear

### INFINITI

Q50 (V37) 04.13-							Saloon (Compact SUV-J Segment)		
2.0 T		Gasolina	RWD	1991	153	208	04.14-	■	
2.0 T		Gasolina	RWD	1991	155	211	04.14-	■	
2.0 T AWD		Gasolina	4WD	1991	155	211	09.15-	■	
50		Gasolina	RWD	3696	241	328	06.13-	■	
50 (VQ37VHR)		Gasolina	RWD	3696	245	333	04.13-	■	
50 AWD (VQ37VHR)		Gasolina	RWD	3696	245	333	04.13-	■	
3.7 (VQ37HR)		Gasolina	RWD	3696	258	351	04.14-	■	
50 Hybrid (VQ35HR)	Eq.V_ Premium package	Gasol./el éc.	RWD	3498	225	306	04.13-	■	
50 Hybrid AWD (VQ35HR)	Eq.V_ Premium package	Gasol./el éc.	4WD	3498	225	306	04.13-	■	
50 Hybrid (VQ35HR)		Gasol./el éc.	RWD	3498	257	350	12.14-	■	
50 Hybrid (VQ35HR)		Gasol./el éc.	RWD	3498	261	355	06.13-	■	
50 Hybrid AWD (VQ35HR)		Gasol./el éc.	4WD	3498	261	355	06.13-	■	
hybrid (VQ35HR)	Eq.V_ Premium package	Gasol./el éc.	RWD	3498	264	359	04.13-	■	
Hybrid AWD (VQ35HR)	Eq.V_ Premium package	Gasol./el éc.	4WD	3498	264	359	04.13-	■	
50 Hybrid (VQ35HR)		Gasol./el éc.	RWD	3498	268	364	04.13-	■	
50 Hybrid AWD (VQ35HR)		Gasol./el éc.	4WD	3498	268	364	04.13-	■	
50 D		Diesel	RWD	2143	125	170	04.13-	■	

# LISTA DE APLICACIONES - BUYERS GUIDE

<b>Q60 II (CV37) 09.16-</b>					<b>Coupe (Compact executive car-D Segment)</b>			
2.0 T (M 274)	not sports package	Gasolina	RWD	1991	153	208	09.16-	■
2.0 T (M 274)	not sports package	Gasolina	RWD	1991	155	211	09.16-	■
2.0 T AWD	not sports package	Gasolina	4WD	1991	155	211	09.16-	■
<b>QX50 (J50) 08.13-</b>					<b>SUV (Luxury Crossover SUV-J Segment)</b>			
2.5 AWD (VQ25HR)	01/16-	Gasolina	4WD	2495	163	222	02.14-	■
2.5	01/16-	Gasolina	RWD	2495	173	235	08.13-	■
2.5 AWD	01/16-	Gasolina	4WD	2495	173	235	08.13-	■
37 AWD (VQ37VHR)	01/16-	Gasolina	4WD	3696	235	320	08.13-	■
37 AWD (VQ37VHR)	01/16-	Gasolina	4WD	3696	240	326	05.15-	■
37	01/16-	Gasolina	RWD	3696	242	329	08.13-	■
37 AWD (VQ37VHR)		Gasolina	4WD	3696	242	329	08.13-	■
3.7 V6 VVEL AWD	01/16-	Gasolina	4WD	3696	258	351	08.13-	■
30d AWD (V9X)	01/16-	Diesel	4WD	2993	175	238	08.13-	■
<b>QX50 II (P71A) 11.17-</b>					<b>SUV (Luxury Crossover SUV-J Segment)</b>			
2.0 (J55)		Gasolina	FWD	1997	197	268	11.17-	■
2.0 AWD (J55) (KR20DDET)		Gasolina	4WD	1997	197	268	11.17-	■
<b>QX50 II SUV 07.20-</b>					<b>SUV (Luxury Crossover SUV-J Segment)</b>			
2.0 AWD (KR20DDET)		Gasolina	4WD	1997	200	272	04.21-	■
<b>QX55 (J55) 06.21-</b>					<b>SUV (Luxury Crossover SUV-J Segment)</b>			
2.0 AWD (KR20DDET)		Gasolina	4WD	1997	200	272	06.21-	■
<b>INFINITI (DFAC)</b>								
<b>Q50L (V37Z) 11.14-</b>					<b>Saloon (Luxury car-F Segment)</b>			
2.0 T		Gasolina	FWD	1991	155	211	11.14-	■
<b>QX50 (J50Z) 03.15-</b>					<b>Hatchback (Executive car-E Segment)</b>			
2.5 A las 4 ruedas		Gasolina	FWD	2496	173	235	03.15-	■
<b>QX50 II (J55Z) 06.18-</b>					<b>SUV ()</b>			
2.0 (KR20)		Gasolina	FWD	1997	180	245	06.18-	■
2.0 AWD (KR20)		Gasolina	4WD	1997	200	272	06.18-	■
<b>NISSAN</b>								
<b>ROGUE 01.07-12.15</b>					<b>SUV (Compact SUV-J Segment)</b>			
2.5 (QR25DE)		Gasolina	FWD	2488	127	173	01.07-12.15	■
2.5 AWD (QR25DE)		Gasolina	4WD	2488	127	173	01.07-12.13	■
<b>SKYLINE XIII (_ V37) 02.14-</b>					<b>Saloon (Compact executive car-D Segment)</b>			
200GT (YV37)		Gasolina	FWD	1991	155	211	02.14-	■
350GT Hibrid		Gasol./el éc.	RWD	3498	225	306	02.14-	■
350GT FOUR Hibrid A las 4 ruedas (HNV37)		Gasol./el éc.	4WD	3498	275	374	02.14-	■
350GT Hibrid (HV37)		Gasol./el éc.	RWD	3498	275	374	02.14-	■
<b>X-TRAIL III / ROGUE II (T32) 10.13-</b>					<b>SUV Van (Compact SUV-J Segment)</b>			
dCi	Eq.V_ 3rd seating row	Diesel	FWD	1598	96	131	04.14-	■
dCi 4x4	Eq.V_ 3rd seating row	Diesel	4WD	1598	96	131	04.14-	■
<b>X-TRAIL III / ROGUE II (T32_, T32R, T32RR) 10.13-</b>					<b>SUV (Compact SUV-J Segment)</b>			
1.3 DIG-T		Gasolina	FWD	1332	116	158	06.21-	■
1.3 DIG-T (HR13DDT)		Gasolina	FWD	1332	118	160	04.19-	■

# LISTA DE APLICACIONES - BUYERS GUIDE

1.6 DIG-T (T32) (MR16DDT)	Eq.V_ 3rd seating row	Gasolina	FWD	1618	120	163	06.15-	■
2.0 (T32)	Eq.V_ 3rd seating row	Gasolina	FWD	1997	104	141	09.14-	■
2.0	Eq.V_ 3rd seating row	Gasolina	FWD	1997	106	144	12.14-	■
2.0 (T32) (MR20DD)	Eq.V_ 3rd seating row	Gasolina	FWD	1997	106	144	02.14-	■
2.0 ALL MODE 4x4-i	Eq.V_ 3rd seating row	Gasolina	4WD	1997	106	144	12.14-	■
2.0 ALL MODE 4x4-i	Eq.V_ 3rd seating row	Gasolina	4WD	1997	106	144	04.16-	■
2.0 ALL MODE 4x4-i (NT32) (MR20DD)	Eq.V_ 3rd seating row	Gasolina	4WD	1997	106	144	09.14-	■
2.0 (T32)	Eq.V_ 3rd seating row	Gasolina	FWD	1997	108	147	12.13-	■
2.0 ALL MODE 4x4-i (NT32)	Eq.V_ 3rd seating row	Gasolina	4WD	1997	108	147	12.13-	■
2.5 (T32) (QR25DE)	Eq.V_ 3rd seating row	Gasolina	FWD	2488	124	169	01.15-	■
2.5 ALL MODE 4x4-i (NT32) (QR25DE)	Eq.V_ 3rd seating row	Gasolina	4WD	2488	124	169	10.14-	■
2.5 (T32) (QR25DE)	Eq.V_ 3rd seating row	Gasolina	FWD	2488	126	171	12.13-	■
2.5 ALL MODE 4x4-i	Eq.V_ 3rd seating row	Gasolina	4WD	2488	126	171	04.16-	■
2.5 ALL MODE 4x4-i (NT32) (QR25DE)	Eq.V_ 3rd seating row	Gasolina	4WD	2488	126	171	12.13-	■
2.0 Flexfuel (T32) (MR20DD)	Eq.V_ 3rd seating row	Gasol./Et anol	FWD	1997	106	144	09.14-	■
2.0 Flexfuel ALL MODE 4x4-i (MR20DD)	Eq.V_ 3rd seating row	Gasol./Et anol	4WD	1997	106	144	02.14-	■
2.0 Flexfuel ALL MODE 4x4-i	Eq.V_ 3rd seating row	Gasol./Et anol	4WD	1997	106	144	12.14-	■
2.5 Flexfuel ALL MODE 4x4-i (NT32) (QR25DE)	Eq.V_ 3rd seating row	Gasol./Et anol	4WD	2488	126	171	02.14-	■
2.5 Flexfuel ALL MODE 4x4-i (NT32)	Eq.V_ 3rd seating row	Gasol./Et anol	4WD	2488	126	171	12.14-	■
2.0 Hybrid (MR20DD)	Eq.V_ 3rd seating row	Gasol./el éc.	FWD	1997	132	180	09.14-	■
2.0 Hybrid ALL MODE 4x4-i (HNT32) (MR20DD)	Eq.V_ 3rd seating row	Gasol./el éc.	4WD	1997	132	180	09.14-	■
2.0 Hybrid (HT32)	Eq.V_ 3rd seating row	Gasol./el éc.	FWD	1997	138	188	11.16-	■
2.0 Hybrid ALL MODE 4x4-i (HNT32)	Eq.V_ 3rd seating row	Gasol./el éc.	4WD	1997	138	188	11.16-	■
1.6 dCi	Eq.V_ 3rd seating row	Diesel	FWD	1598	96	130	12.14-	■
1.6 dCi (T32) (R9M)	Eq.V_ 3rd seating row	Diesel	FWD	1598	96	130	04.14-	■
1.6 dCi ALL MODE 4x4-i	Eq.V_ 3rd seating row	Diesel	4WD	1598	96	130	04.16-	■
1.6 dCi ALL MODE 4x4-i (NT32) (R9M)	Eq.V_ 3rd seating row	Diesel	4WD	1598	96	130	04.14-	■
1.7 dCi (R9N)		Diesel	FWD	1749	96	131	04.19-	■
1.7 dCi ALL MODE 4x4-i (R9N)		Diesel	4WD	1749	96	131	04.19-	■
1.7 dCi (R9N)		Diesel	FWD	1749	110	150	04.19-	■
1.7 dCi ALL MODE 4x4-i (R9N)		Diesel	4WD	1749	110	150	04.19-	■
1.7 dCi (R9N)		Diesel	FWD	1749	120	163	04.19-	■
1.7 dCi ALL MODE 4x4-i (R9N)		Diesel	4WD	1749	120	163	04.19-	■
2.0 dCi (T32) (M9R)	Eq.V_ 3rd seating row	Diesel	FWD	1995	130	177	10.16-	■
2.0 dCi ALL MODE 4x4-i (NT32) (M9R)	Eq.V_ 3rd seating row	Diesel	4WD	1995	130	177	10.16-	■

## NISSAN (DFAC)

<b>X-TRAIL (T32) 02.14-</b>				<b>SUV (Compact SUV-J Segment)</b>				
2.0 (MR20DD)		Gasolina	FWD	1197	113	154	08.18-	■
2.5 A las 4 ruedas	Eq.V_ 3rd seating row	Gasolina	FWD	2488	137	186	02.14-	■

## RENAULT

<b>KOLEOS II (HC_) 04.16-</b>				<b>SUV (Compact SUV-J Segment)</b>				
1.7 BLUE dCi 150 (HCA7) (R9N 401)		Diesel	FWD	1749	110	150	06.19-	■
2.0 dCi 175 (HCAK) (M9R 868)	Eq.V_ EQPEUR,EQPEXP	Diesel	FWD	1995	130	177	04.16-	■
2.0 dCi 175 4WD (M9R 868)	Eq.V_ EQPEUR,EQPEXP	Diesel	4WD	1995	130	177	04.16-	■
2.0 BLUE DCI 185 (HCAN)		Diesel	FWD	1997	135	184	01.20-	■
2.0 BLUE DCI 185 4WD (HCAN)		Diesel	4WD	1997	135	184	01.20-	■

# LISTA DE APLICACIONES - BUYERS GUIDE

2.0 BLUE dCi 190 4WD (HCAN) (M9R 730)	Diesel	4WD	1997	140	190	06.19-
---------------------------------------	--------	-----	------	-----	-----	--------

