

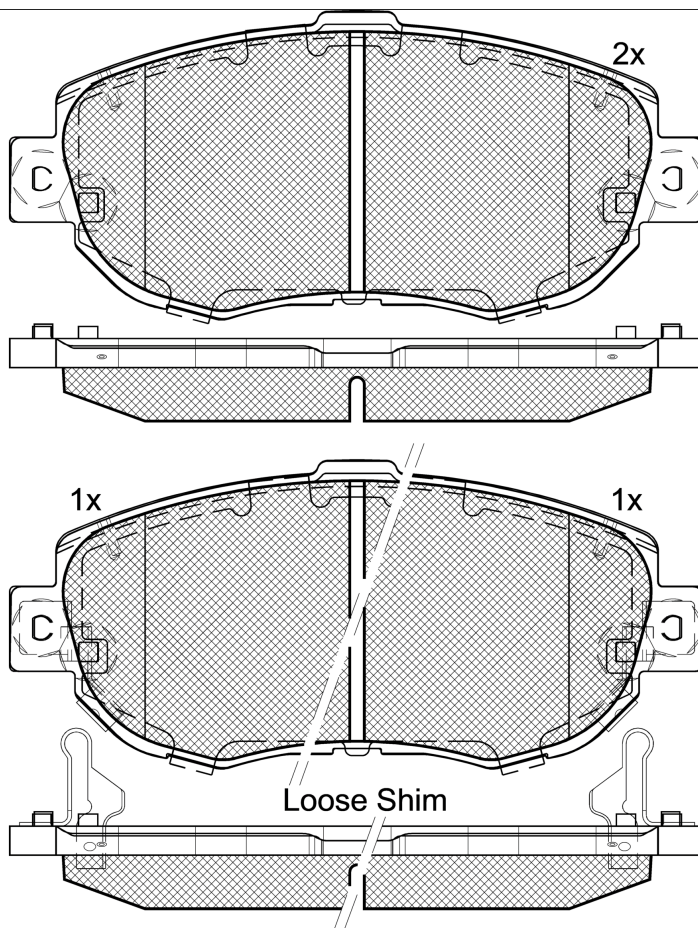
LISTA DE APLICACIONES - BUYERS GUIDE

182203



Qty: 300

Weight: 1.915



182203

E 9 90R-02A0111/1535



Sumitomo

144x63.8x17.7

VVA

21490

23848

23849

FMSI

D619-7495

MAKE

LEXUS

TOYOTA



Trac.	CC	Kw	CV
-------	----	----	----



Front / Rear

LEXUS

GS (JZS147_) 01.93-08.97

Saloon (Executive car-E Segment)

300 (JZS147_, JZS147R) (2JZ-GE)	Gasolina	RWD	2997	156	212	01.93-08.97	■
300 (JZS147_) (2JZ-GE)	Gasolina	RWD	2997	164	223	01.93-08.97	■

GS II (_S16_) 08.97-12.04

Saloon (Executive car-E Segment)

300 (JZS160_, JZS160R) (2JZ-GE)	Gasolina	RWD	2997	161	219	10.00-12.04	■	
300 (JZS160_, JZS160R) (2JZ-GE)	01/98-	Gasolina	RWD	2997	163	222	08.97-10.00	■
300 (JZS160 (2JZ-GE)	Gasolina	RWD	2997	164	223	11.01-12.04	■	
300	Gasolina	FWD	2997	168	228	08.97-12.99	■	
400 (UZS160_, UZS160R) (1UZ-FE)	01/98-	Gasolina	RWD	3969	216	294	12.97-11.00	■
430 (UZS161_, UZS161R) (3UZ-FE)	Gasolina	RWD	4293	208	283	11.00-12.04	■	
430 (UZS161_) (3UZ-FE)	Gasolina	RWD	4293	224	305	09.00-12.04	■	

IS (_E1_) 04.99-07.05

Saloon (Executive car-E Segment)

200 (GXE10) (1G-FE)	Gasolina	RWD	1988	114	155	04.99-07.05	■
300 (JCE10) (2JZ-GE)	Gasolina	RWD	2997	157	213	09.01-07.05	■
300	Gasolina	FWD	2997	161	219	09.00-07.05	■

IS SportCross (_E1_) 10.01-10.05

Estate (Executive car-E Segment)

200 (GXE10_, GXE10R) (1G-FE)	Gasolina	RWD	1988	114	155	10.02-10.05	■
300 (JCE10_, JCE10R) (2JZ-GE)	Gasolina	RWD	2997	157	213	10.01-10.05	■
300	Gasolina	FWD	2997	161	219	10.01-07.05	■

SC II / SOARER (UZZ40_) 01.01-07.10

Convertible (Luxury car-F Segment)

430 (UZZ40_, UZZ40R) (3UZ-FE)	Gasolina	RWD	4293	210	286	05.01-07.10	■
430 (UZZ40_) (3UZ-FE)	Gasolina	RWD	4293	215	292	01.01-07.10	■
430 (UZZ40_)	Gasolina	FWD	4293	223	303	01.01-07.05	■

LISTA DE APLICACIONES - BUYERS GUIDE

430		Gasolina	FWD	4293	233	317	05.01-12.05	■	
430 (UZZ40_) (3UZ-FE)		Gasolina	RWD	4293	244	332	05.01-07.10	■	
TOYOTA									
ALTEZZA (_E1_) 01.99-11.05							Saloon (Compact executive car-D Segment)		
2.0		Gasolina	RWD	1988	114	155	01.99-07.05	■	
2.0 VVTi (GXE10) (1G-FE)	Caliper (2 pistons)	Gasolina	RWD	1988	118	160	01.99-05.05	■	
2.0 VVTi (SXE10) (3S-GE)	Caliper (2 pistons)	Gasolina	RWD	1998	147	200	10.98-11.05	■	
2.0 VVTi (SXE10) (3S-GE)	Caliper (2 pistons)	Gasolina	RWD	1998	154	209	02.99-11.05	■	
3.0 (JCE10)		Gasolina	RWD	2997	157	214	07.01-11.05	■	
ALTEZZA GITA (_XE1_) 10.98-12.05							Estate (Compact executive car-D Segment)		
2.0 (GXE10) (1G-FE)	Caliper (2 pistons)	Gasolina	RWD	1988	114	155	01.99-06.01	■	
2.0 (GXE10) (1G-GE)	Caliper (2 pistons)	Gasolina	RWD	1988	114	155	01.99-06.01	■	
2.0 4WD (GXE15) (1G-FE)	Caliper (2 pistons)	Gasolina	4WD	1988	114	155	01.01-12.05	■	
2.0 4WD (GXE15) (1G-GE)	Caliper (2 pistons)	Gasolina	4WD	1988	114	155	01.01-12.05	■	
2.0 (GXE10) (1G-FE)	Caliper (2 pistons)	Gasolina	RWD	1988	118	160	07.01-07.05	■	
2.0 (GXE10) (1G-GE)	Caliper (2 pistons)	Gasolina	RWD	1988	118	160	07.01-07.05	■	
2.0 (GXE15) (1G-FE)	Caliper (2 pistons)	Gasolina	4WD	1988	118	160	07.01-07.05	■	
2.0 (GXE15) (1G-GE)	Caliper (2 pistons)	Gasolina	4WD	1988	118	160	07.01-07.05	■	
3.0 (JCE10) (2JZ-GE)	Caliper (2 pistons)	Gasolina	RWD	2997	157	214	07.01-11.05	■	
3.0 (JCE10) (2JZ-GE)	Caliper (2 pistons)	Gasolina	RWD	2997	162	220	07.01-11.05	■	
ARISTO (_S14_) 10.90-07.97							Saloon (Executive car-E Segment)		
3.0 (JZS147) (2JZ-GE)		Gasolina	RWD	2997	169	230	10.90-07.97	■	
3.0 (JZS147) (2JZ-GTE)		Gasolina	RWD	2997	205	279	10.90-09.96	■	
4.0 4WD (UZS143) (1UZ-FE)		Gasolina	4WD	3969	173	235	10.92-07.97	■	
ARISTO II (_S16_) 08.97-10.04							Saloon (Executive car-E Segment)		
3.0 (JZS160) (2JZ-GE)	Caliper (2 pistons)	Gasolina	RWD	2997	170	231	08.97-09.04	■	
3.0 (JZS161) (2JZ-GTE)	Caliper (2 pistons)	Gasolina	RWD	2997	206	280	08.97-09.04	■	
4.3		Gasolina	FWD	4293	224	305	04.99-09.04	■	
CELSIOR II (UCF2_) 05.93-08.00							Saloon (Luxury car-F Segment)		
4.0 (UCF20,UCF21) (1UZ-FE)		Gasolina	RWD	3969	206	280	07.97-08.00	■	
CELSIOR III (UCF3_) 09.00-08.06							Saloon (Luxury car-F Segment)		
4.3 VVTi (UCF30, UCF31) (3UZ-FE)		Gasolina	RWD	4293	208	283	09.00-08.06	■	
CHASER V (_X9_) 10.92-09.96							Saloon (Executive car-E Segment)		
2.5 Turbo (JZX90)		Gasolina	FWD	2491	206	280	10.92-08.96	■	
CHASER VI (_X10_) 09.96-05.01							Saloon (Executive car-E Segment)		
2.5 (JZX100_, JZX100) (1JZ-GE)	Caliper (2 pistons)	Gasolina	RWD	2491	147	200	10.96-05.01	■	
2.5 (JZX100_, JZX100) (1JZ-GTE)	Caliper (2 pistons)	Gasolina	RWD	2491	206	280	10.96-05.01	■	
CROWN VIII-IX (_S14_, _S13_) 08.91-07.02							Saloon (Luxury car-F Segment)		
3.0 (JZS133, JZS147, JZS149) (2JZ-GE)		Gasolina	RWD	2997	162	220	10.91-12.95	■	
CROWN XI / ROYAL (_S17_) 09.99-05.04							Saloon (Luxury car-F Segment)		
2.5 (JZS171)		Gasolina	RWD	2491	206	280	09.99-11.03	■	
MARK II 04.88-09.96							Saloon (Executive car-E Segment)		
2.5 (JZX110) (1JZ-GTE)	Caliper (2 pistons)	Gasolina	RWD	2491	206	280	10.00-11.04	■	
2.5 (JZX90) (1JZ-GTE)		Gasolina	RWD	2491	206	280	10.92-09.96	■	
2.5 VVTi (JZX100) (1JZ-GTE)	Caliper (2 pistons)	Gasolina	RWD	2491	206	280	10.96-09.01	■	

LISTA DE APLICACIONES - BUYERS GUIDE

SOARER (_Z1_) 09.80-08.86						Coupe (Luxury car-F Segment)			
3.0 (MZ20, MZ21) (7M-GTEU)		Gasolina	RWD	2954	170	231	09.85-08.86	■	
SOARER II (_Z2_) 01.86-03.91						Coupe (Luxury car-F Segment)			
2.0 Turbo (GZ20) (1G-GTEU)		Gasolina	RWD	1988	136	185	09.86-03.91	■	
3.0 Turbo (MZ20, MZ21) (7M-GTEU)		Gasolina	RWD	2954	170	231	09.86-03.91	■	
SOARER IV (_Z4_) 10.00-10.05						Coupe (Luxury car-F Segment)			
4.3 Wti (UZZ40) (3UZ-FE)		Gasolina	RWD	4293	208	283	10.00-10.05	■	
SUPRA IV (_A8_) 05.93-07.02						Coupe (Grand Tourer-S Segment)			
3.0 i (JZA80_, JZA80R) (2JZ-GE)		Gasolina	RWD	2997	168	228	05.93-07.02	■	
3.0 i Bi-Turbo (JZA80_, JZA80R) (2JZ-GTE)	-12/96, Manual Transmission	Gasolina	RWD	2997	210	286	05.93-07.02	■	
3.0 i Bi-Turbo (JZA80_) (2JZ-GTE)	-12/96	Gasolina	RWD	2997	240	326	03.94-07.02	■	
3.0 i Bi-Turbo (JZA80_, JZA80R) (2JZ-GTE)	-12/96, Manual Transmission	Gasolina	RWD	2997	243	330	05.93-07.02	■	
VEROSSA (_X11_) 10.00-04.04						Saloon (Executive car-E Segment)			
2.5 VVTi (JZX110) (1JZ-FSE)	Caliper (2 pistons), Eq.V_ VR25	Gasolina	RWD	2491	147	200	10.00-11.03	■	
2.5 VVTi (JZX110) (1JZ-GTE)	Caliper (2 pistons)	Gasolina	RWD	2491	206	280	10.00-11.03	■	