

# LISTA DE APLICACIONES - BUYERS GUIDE

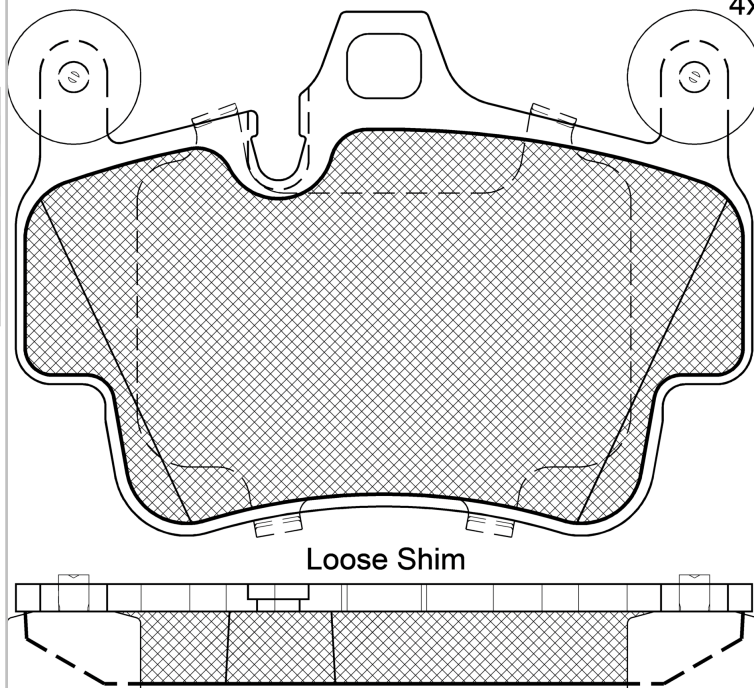
## 182204



Qty: 300

Weight: 2.135

O.E.M.	MAKE
973 519 390 4	PORSCHE
973 519 390 6	PORSCHE
997 351 939 02	PORSCHE
997 351 939 03	PORSCHE
997 351 939 04	PORSCHE
997 351 939 05	PORSCHE
997 351 939 06	PORSCHE
997 351 939 07	PORSCHE



## 182204

**E 9** 90R-02A0111/3144



Brembo

124.2x86.5x17

WVA	FMSI
24049	D1135-7894
<b>MAKE</b>	
PORSCHE	



Trac.	CC	Kw	CV
-------	----	----	----



Front / Rear

### PORSCHE

#### 911 (997) 04.05-12.13

#### Convertible (Sports car-S Segment)

Model	Brake	Fuel	Trac.	CC	Kw	CV	Year	Front	Rear
3.6 Carrera (M 96.05)	not ceramic disc	Gasolina	RWD	3596	235	320	04.05-07.05	■	
3.6 Carrera (M 96.05)	not ceramic disc	Gasolina	RWD	3596	239	325	04.05-12.08	■	
3.6 Carrera 4 (M 96.05)		Gasolina	4WD	3596	239	325	04.05-12.08	■	
3.8 Carrera 4S (MA1.01)	not ceramic disc	Gasolina	4WD	3800	283	385	06.08-12.12		■
3.8 Carrera S (MA1.01)	not ceramic disc	Gasolina	RWD	3800	283	385	06.08-12.11		■
3.8 Carrera (MA1.01)	not ceramic disc	Gasolina	RWD	3800	298	405	09.11-12.12		■
3.8 Carrera 4S / 4 GTS (MA1.01)	not ceramic brakes, not ceramic disc	Gasolina	4WD	3800	300	408	06.09-12.12		■
3.8 Carrera S / GTS (MA1.01)	not ceramic brakes, not ceramic disc	Gasolina	RWD	3800	300	408	06.09-12.11		■
3.8 Carrera 4GTS	not ceramic disc	Gasolina	4WD	3800	304	413	03.12-12.12		■
3.8 Carrera GTS (MA1.01)	not ceramic disc	Gasolina	RWD	3800	304	413	03.12-12.12		■
3.8 Carrera 4S (M 97.01)	not ceramic brakes, not ceramic disc	Gasolina	4WD	3824	261	355	04.05-12.08		■
3.8 Carrera S (M 97.01)	not ceramic brakes, not ceramic disc	Gasolina	RWD	3824	261	355	04.05-12.08		■
3.8 Carrera 4S (M 97.01)	not ceramic disc	Gasolina	4WD	3824	264	359	04.05-12.10		■
3.8 Carrera 4S (M 97.01S)	heavy duty chassis	Gasolina	4WD	3824	280	381	08.05-12.08	■	
3.8 Carrera 4S (M 97.01S)	not ceramic disc	Gasolina	4WD	3824	280	381	08.05-12.08		■
3.8 Carrera S (M 97.01S)	heavy duty chassis	Gasolina	RWD	3824	280	381	08.05-12.08	■	
3.8 Carrera S (M 97.01S)	not ceramic brakes, not ceramic disc	Gasolina	RWD	3824	280	381	08.05-12.08		■

#### 911 (997) 07.04-12.13

#### Coupe (Sports car-S Segment)

3.6 Carrera (M 96.05)	not ceramic disc	Gasolina	RWD	3596	235	320	08.04-07.05	■
3.6 Carrera (M 96.05)	not ceramic disc	Gasolina	RWD	3596	239	325	07.04-12.08	■

# LISTA DE APLICACIONES - BUYERS GUIDE

3.6 Carrera 4 (M 96.05)	not ceramic brakes	Gasolina	4WD	3596	239	325	07.04-12.08	■	
3.8 Carrera 4S (MA1.01)	not ceramic disc	Gasolina	4WD	3800	283	385	06.08-12.12	■	
3.8 Carrera S (MA1.01)	not ceramic disc	Gasolina	RWD	3800	283	385	06.08-12.11	■	
3.8 Carrera 4S / 4 GTS (MA1.01)	not ceramic brakes, not ceramic disc	Gasolina	4WD	3800	300	408	06.09-12.12	■	
3.8 Carrera S / GTS (MA1.01)	not ceramic brakes, not ceramic disc	Gasolina	RWD	3800	300	408	06.09-12.11	■	
3.8 Carrera 4S (M 97.01)	not ceramic brakes, not ceramic disc	Gasolina	4WD	3824	261	355	07.04-12.08	■	
3.8 Carrera S (M 97.01)	not ceramic brakes	Gasolina	RWD	3824	261	355	07.04-12.08	■	
3.8 Carrera 4S (M 97.01)	not ceramic disc	Gasolina	4WD	3824	264	359	09.05-12.08	■	
3.8 Carrera 4S (M 97.01S)	heavy duty chassis	Gasolina	4WD	3824	280	381	08.05-12.08	■	
3.8 Carrera 4S (M 97.01S)	not ceramic disc	Gasolina	4WD	3824	280	381	08.05-12.08	■	
3.8 Carrera S (M 97.01S)	heavy duty chassis	Gasolina	RWD	3824	280	381	08.05-12.08	■	
3.8 Carrera S (M 97.01S)	not ceramic brakes, not ceramic disc	Gasolina	RWD	3824	280	381	08.05-12.08	■	
<b>911 (997) 07.06-12.12</b>							<b>Targa (Sports car-S Segment)</b>		
3.6 Carrera 4 (M 96.05)		Gasolina	4WD	3596	239	325	07.06-12.08	■	
3.8 Carrera 4S (MA1.01)	not ceramic disc	Gasolina	4WD	3800	283	385	10.08-12.12	■	
3.8 Carrera 4S (MA1.01)	not ceramic disc	Gasolina	4WD	3800	300	408	08.09-05.12	■	
3.8 Carrera 4S (M 97.01)	not ceramic brakes, not ceramic disc	Gasolina	4WD	3824	261	355	07.06-12.08	■	
3.8 Carrera 4S (M 97.01S)	not ceramic disc	Gasolina	4WD	3824	280	381	11.06-12.08	■	
<b>BOXSTER II (987) 06.04-12.13</b>							<b>Convertible (Sports car-S Segment)</b>		
2.9 (MA1.20)	not ceramic disc	Gasolina	RWD	2893	155	211	02.09-03.12	■	
2.9 (MA1.20)	not ceramic disc	Gasolina	RWD	2893	188	255	06.09-03.12	■	
S 3.2 (M 96.26)	not ceramic brakes, not ceramic disc	Gasolina	RWD	3179	206	280	11.04-12.06	■	
S 3.4 (M 97.21)	not ceramic brakes, not ceramic disc	Gasolina	RWD	3387	217	295	07.06-12.09	■	
S 3.4 (M 97.22)	not ceramic brakes, not ceramic disc	Gasolina	RWD	3387	223	303	08.08-12.09	■	
S 3.4 (MA1.21)	not ceramic brakes, not ceramic disc	Gasolina	RWD	3436	228	310	06.09-12.11	■	
S 3.4 (987.760, 987.761, 987.320) (MA1.21)	not ceramic disc	Gasolina	RWD	3436	235	320	08.10-05.12	■	
<b>BOXSTER II Spyder (987) 09.07-12.13</b>							<b>Convertible (Sports car-S Segment)</b>		
3.4 RS 60 (M 97.22)	not ceramic brakes, not ceramic disc	Gasolina	RWD	3387	223	303	09.07-12.08	■	
3.4 (987.720) (MA1.21)	not ceramic brakes	Gasolina	RWD	3436	235	320	02.10-12.11	■	
<b>CAYMAN (987) 11.05-12.13</b>							<b>Coupe (Sports car-S Segment)</b>		
2.7		Gasolina	RWD	2706	202	275	02.09-12.13	■	
2.9 (MA1.20)		Gasolina	RWD	2893	155	211	02.09-06.13	■	
2.9 (MA1.20)		Gasolina	RWD	2893	195	265	02.09-12.12	■	
S 3.4 (M 97.21)	not ceramic brakes, not ceramic disc	Gasolina	RWD	3387	217	295	11.05-12.09	■	
S 3,4 Sport (M 97.22)	not ceramic brakes	Gasolina	RWD	3387	223	303	08.08-12.12	■	
S 3.4 (MA1.21)	not ceramic brakes	Gasolina	RWD	3436	235	320	02.09-06.13	■	
R 3.4 (MA1.21)	not ceramic brakes	Gasolina	RWD	3436	243	330	11.10-12.12	■	