


# LISTA DE APLICACIONES - BUYERS GUIDE

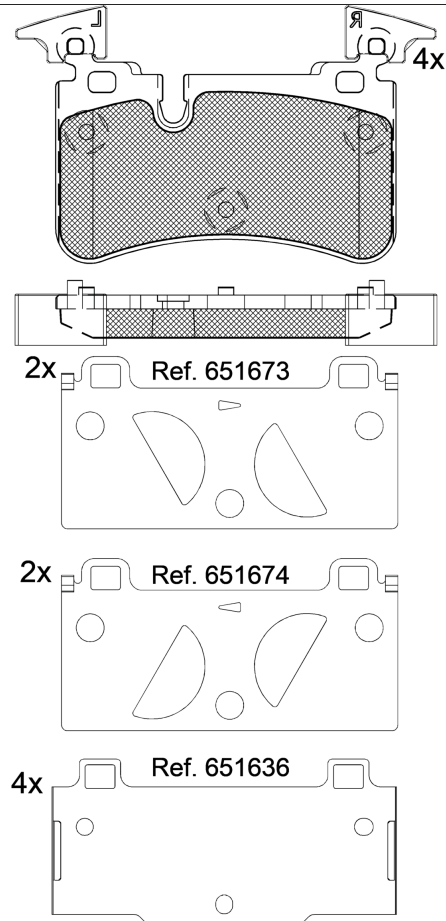
## 182209



8 424073 109835

Qty: 300      Weight: 1.765

O.E.M.	MAKE
004 420 85 20	MERCEDES-BENZ
005 420 22 20	MERCEDES-BENZ
005 420 25 20	MERCEDES-BENZ



## 182209

E 9

90R-02A0111/2544

Brembo

135.7x83.2x14.8

WVA	FMSI
24473	D1373-8485
<b>MAKE</b>	
MERCEDES-BENZ	



	Trac.	CC	Kw	CV			Front / Rear
--	-------	----	----	----	--	--	--------------

MERCEDES-BENZ							
<b>C-Class III (C204) 01.11-</b>						<b>Coupe (Compact executive car-D Segment)</b>	
C 63 AMG (204.377) (M 156.985)		Gasolina	RWD	6208	336	457	06.11-
C 63 AMG (204.377)		Gasolina	RWD	6208	336	457	09.12-
C 63 AMG (204.377) (M 156.985)		Gasolina	RWD	6208	358	487	01.12-
C 63 AMG (204.377) (M 156.985)		Gasolina	RWD	6208	380	517	01.12-
<b>C-Class III (W204) 01.07-01.15</b>						<b>Saloon (Compact executive car-D Segment)</b>	
C 63 AMG (204.077) (M 156.985)		Gasolina	RWD	6208	336	457	02.08-01.14
C 63 AMG (204.077) (M 156.985)		Gasolina	RWD	6208	358	487	02.08-01.14
<b>C-Class III T-Model (S204) 08.07-08.14</b>						<b>Estate (Compact executive car-D Segment)</b>	
C 63 AMG (204.277) (M 156.985)		Gasolina	RWD	6208	336	457	02.08-08.14
C 63 AMG (204.277) (M 156.985)		Gasolina	RWD	6208	358	487	01.12-08.14
<b>CLK-Class II (A209) 06.02-12.13</b>						<b>Convertible (Executive car-E Segment)</b>	
CLK 63 AMG (209.477) (M 156.982)		Gasolina	RWD	6208	354	481	04.06-03.10
<b>CLK-Class II (C209) 05.02-12.13</b>						<b>Coupe (Executive car-E Segment)</b>	
CLK 63 AMG (209.377) (M 156.982)		Gasolina	RWD	6208	354	481	04.06-05.09
<b>CLS-Class (C219) 10.04-12.12</b>						<b>Coupe (Executive car-E Segment)</b>	
CLS 63 AMG (219.377) (M 156.983)		Gasolina	RWD	6208	378	514	04.06-12.10
CLS 63 AMG (219.377)		Gasolina	RWD	6208	378	514	09.06-12.10
<b>E-Class III (W211) 03.02-03.09</b>						<b>Saloon (Executive car-E Segment)</b>	
E 63 AMG (211.077) (M 156.983)		Gasolina	RWD	6208	378	514	03.06-12.08
E 63 AMG (211.077)		Gasolina	RWD	6208	378	514	09.06-12.08

# LISTA DE APLICACIONES - BUYERS GUIDE

<b>E-Class III T-Model (S211) 02.03-07.09</b>						<b>Estate (Executive car-E Segment)</b>			
E 63 AMG (211.277) (M 156.983)		Gasolina	RWD	6208	378	514	03.06-07.09	■	
<b>SL-Class IV (R129) 03.89-09.04</b>						<b>Convertible (Grand Tourer-S Segment)</b>			
55 AMG (M 113.985)		Gasolina	RWD	5439	260	354	03.00-10.01	■	
55 AMG (230.474) (M 113.992)	sports package	Gasolina	RWD	5439	350	476	10.01-06.02	■	
55 AMG (230.474)		Gasolina	RWD	5439	350	476	09.03-12.05	■	
55 AMG Kompressor (230.474) (M 113.992)	sports package, SA P99	Gasolina	RWD	5439	368	500	06.02-01.12	■	
55 AMG (230.472) (M 113.995)		Gasolina	RWD	5439	380	517	03.06-01.12	■	
65 AMG (230.479) (M 275.981)	AMG Sports Package, ch-122821, 04/06-	Gasolina	RWD	5980	450	612	03.04-01.12	■	
65 AMG Black Series (230.479) (M 275.983)		Gasolina	RWD	5980	493	670	07.08-01.12	■	
63 AMG (230.470) (M 156.981)		Gasolina	RWD	6208	386	525	03.08-01.12	■	
<b>SLK-Class II (R171) 03.04-12.15</b>						<b>Convertible (Sports car-S Segment)</b>			
55 AMG (171.473) (M 113.989)	USA, -ch F197201, -03/08   USA, -ch F172580, -05/07	Gasolina	RWD	5439	265	360	06.04-02.11	■	
55 AMG (171.473) (M 113.989)	USA, -ch F172580, -05/07   USA, -ch F197201, -03/08	Gasolina	RWD	5439	294	400	06.06-02.11	■	
<b>SLR-Class (R199) 10.06-</b>						<b>Convertible (Grand Tourer-S Segment)</b>			
5.5 SLR McLaren		Gasolina	RWD	5439	460	626	04.07-12.09	■	