

LISTA DE APLICACIONES - BUYERS GUIDE

182210

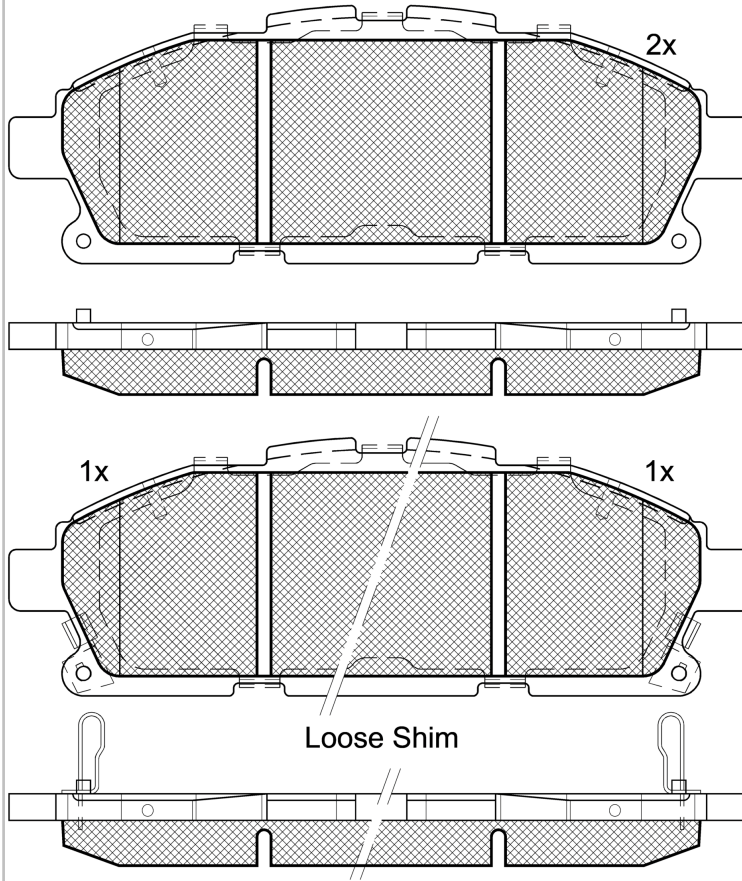


8 424073 109842

Qty: 300

Weight: 1.675

O.E.M.	MAKE
D1060-1JA0A	NISSAN



182210

E 9 90R-02A0111/4316



Akebono

158.85x55.05x15.9

WVA	FMSI
22372	D1552-8762
22373	
22374	
MAKE	
NISSAN	



Trac.	CC	Kw	CV



Front / Rear

NISSAN

ELGRAND III / QUEST (E52) 09.10-

MPV (Large MPV-M1 Segment)

Engine	Fuel	Trac.	CC	Kw	CV	Date	
2.5	Gasolina	FWD	2488	125	170	11.10-	■
2.5	Gasolina	FWD	2488	125	170	11.10-	■
3.5 (VQ35DE)	Gasolina	FWD	3498	194	264	09.10-	■
3.5	Gasolina	FWD	3498	206	280	11.10-	■
3.5 AWD (PNE52)	Gasolina	4WD	3498	206	280	11.10-	■
3.5 CVTC (VQ35DE)	Gasolina	FWD	3498	221	300	12.17-	■

QUEST IV (E52) 09.09-

MPV (Large MPV-M1 Segment)

3.5 V6 (VQ35DE)	Gasolina	FWD	3498	194	264	02.12-	■
3.5 V6 (VQ35DE)	Gasolina	FWD	3498	204	277	01.14-	■