

LISTA DE APLICACIONES - BUYERS GUIDE

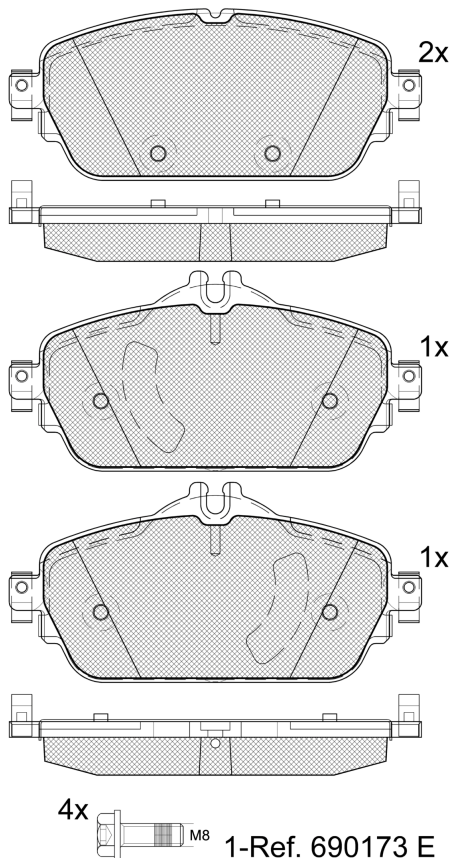
182212



Qty: 300

Weight: 2.020

O.E.M.	MAKE
000 420 45 00	MERCEDES-BENZ
000 420 87 00	MERCEDES-BENZ
000 420 89 03	MERCEDES-BENZ
000 420 97 03	MERCEDES-BENZ
007 420 46 20	MERCEDES-BENZ
008 420 31 20	MERCEDES-BENZ
008 420 36 20	MERCEDES-BENZ
008 420 37 20	MERCEDES-BENZ
A0004204500	MERCEDES-BENZ
A0004208700	MERCEDES-BENZ
A0004208903	MERCEDES-BENZ
A0004209703	MERCEDES-BENZ
A0074204620	MERCEDES-BENZ
A0084203120	MERCEDES-BENZ
A0084203720	MERCEDES-BENZ



182212

E 9 90R-02A0111/4253



Trw

144.1x60x19.4

144.1x70x19.4

WVA	FMSI
22031	D1837-9066
22032	
25534	
25535	

MAKE

MERCEDES-BENZ
MERCEDES-BENZ (BBDC)



	Trac.	CC	Kw	CV			
						Front / Rear	

MERCEDES-BENZ

B-Class II Sports Tourer (W246, W242) 10.11-						Hatchback (Compact MPV-M1 Segment)			
B 220 (246.245) (M 270.920)		Gasolina	FWD	1991	135	184	08.14-12.18	■	
B 200 Flexfuel (246.243) (M 270.910)	01/14-	Gasol./Etanol	FWD	1595	115	156	11.11-12.18	■	
C-Class IV (A205) 06.16-						Convertible (Compact executive car-D Segment)			
C 180 (205.476) (M 264.915)	Syst. Standard	Gasolina	RWD	1497	115	156	06.19-04.23	■	
C 180 (205.440) (M 274.910)	Rim 16, not AMG sports pack., not sports package, noSA P31	Gasolina	RWD	1595	115	156	06.16-08.20	■	
C 200 (205.442) (M 274.920)	Rim 16, not AMG sports pack., not sports package, noSA P31	Gasolina	RWD	1991	135	184	06.16-05.18	■	
C 200 4-matic (205.443) (M 274.920)	Rim 16, not AMG sports pack., not sports package, noSA P31	Gasolina	4WD	1991	135	184	06.16-05.18	■	
C 200 (205.480) (M 264.920)	Syst. Standard	Gasolina	RWD	1991	150	204	08.19-04.23	■	
C 300 4-matic (205-484) (M 264.920)	USA, not sports package, not AMG sports pack.	Gasolina	4WD	1991	190	258	05.18-	■	
C 200 EQ Boost (205.477) (M 264.915)	Syst. Standard, not sports package, not AMG sports pack.	Gasol./eléc.	RWD	1497	135	184	05.18-04.23	■	
C 200 EQ Boost 4-matic (205.478) (M 264.915)	Syst. Standard, not sports package, not AMG sports pack., AMG Sports Package	Gasol./eléc.	4WD	1497	135	184	05.18-04.23	■	
C 200 d (205.401) (OM 654.916)	Syst. Standard, not sports package, not AMG sports pack., AMG Sports Package	Diesel	RWD	1597	118	160	07.18-11.19	■	
C 220 d (205.414) (OM 654.920)	Syst. Standard, not sports package, not AMG sports pack.	Diesel	RWD	1950	143	194	04.18-04.23	■	
C 220 d 4-matic (205.415) (OM 654.920)	Syst. Standard, not sports package, not AMG sports pack., AMG Sports Package	Diesel	4WD	1950	143	194	06.18-04.23	■	
C 220 d (205.404) (OM 651.921)	Rim 16, not AMG sports pack., Syst. Standard, not sports package	Diesel	RWD	2143	120	163	06.16-05.18	■	

LISTA DE APLICACIONES - BUYERS GUIDE

C 220 d (205.404) (OM 651.921)	Rim 16, not AMG sports pack., Syst. Standard, not sports package	Diesel	RWD	2143	125	170	06.16-05.18	■	
C 220 d 4-matic (205.405) (OM 651.921)	Rim 16, not AMG sports pack., not sports package, noSA P31	Diesel	4WD	2143	125	170	06.16-05.18	■	
C-Class IV (C205) 10.15-							Coupe (Compact executive car-D Segment)		
C 180 (205.376) (M 264.915)	Syst. Standard	Gasolina	RWD	1497	115	156	06.19-04.23	■	
C 180 (205.340) (M 274.910)	Syst. Standard, not sports package, not AMG sports pack.	Gasolina	RWD	1595	110	150	11.18-08.20	■	
C 180 (205.340) (M 274.910)	Rim 16, not AMG sports pack., not sports package, noSA P31	Gasolina	RWD	1595	115	156	10.15-08.20	■	
C 200 (205.342) (M 274.920)	Syst. Standard, not sports package, not AMG sports pack.	Gasolina	RWD	1991	135	184	10.15-05.18	■	
C 200 4-matic (205.343) (M 274.920)	Rim 16, not AMG sports pack., not sports package, noSA P31	Gasolina	4WD	1991	135	184	04.16-05.18	■	
C 200 (205.380) (M 264.920)		Gasolina	RWD	1991	150	204	08.19-04.23	■	
C 300 4-matic (205.384) (M 264.920)	SA M014,15, Syst. Standard, SA M20	Gasolina	4WD	1991	190	258	05.18-04.23	■	
C 200 EQ Boost (205.377) (M 264.915)	Syst. Standard, not sports package, not AMG sports pack.	Gasol./el éc.	RWD	1497	135	184	05.18-04.23	■	
C 200 EQ Boost 4-matic (205.478) (M 264.915)	Syst. Standard, not sports package, not AMG sports pack.	Gasol./el éc.	4WD	1497	135	184	05.18-04.23	■	
C 300 EQ Boost 4-matic (205.484) (M 264.920)		Gasol./el éc.	4WD	1991	190	258	05.19-04.23	■	
C 200 d (205.301) (OM 654.916)	Syst. Standard, not sports package, not AMG sports pack.	Diesel	RWD	1597	118	160	07.18-11.19	■	
C 220 d (205.314) (OM 654.920)	Syst. Standard, not sports package, not AMG sports pack.	Diesel	RWD	1950	143	194	04.18-04.23	■	
C 220 d 4-matic (205.315) (OM 654.920)	Syst. Standard, not sports package, not AMG sports pack.	Diesel	4WD	1950	143	194	06.18-04.23	■	
C 220 d (205.304) (OM 651.921)	Rim 16, not AMG sports pack., not sports package, noSA P31	Diesel	RWD	2143	120	163	10.15-05.18	■	
C 220 d (205.304) (OM 651.921)	Rim 16, not AMG sports pack., not sports package, noSA P31	Diesel	RWD	2143	125	170	10.15-05.18	■	
C 220 d 4-matic (205.305) (OM 651.921)	Rim 16, not AMG sports pack., not sports package, noSA P31	Diesel	4WD	2143	125	170	04.16-05.18	■	
C-Class IV (W205) 07.13-							Saloon (Compact executive car-D Segment)		
C 160 (205.075) (M 264.915)	Syst. Standard	Gasolina	RWD	1497	95	129	06.19-05.21	■	
C 180 (205.076) (M 264.915)	Syst. Standard	Gasolina	RWD	1497	115	156	06.19-05.21	■	
C 160 (205.044) (M 274.910)	Rim 16, not AMG sports pack., not sports package, noSA P31, AMG Sports Package	Gasolina	RWD	1595	95	129	04.15-11.19	■	
C 180 (205.040) (M 274.910)	Syst. Standard, not sports package, not AMG sports pack.	Gasolina	RWD	1595	110	150	10.18-03.21	■	
C 180 (205.040, 205.140) (M 274.910)	Rim 16, not AMG sports pack., not sports package	Gasolina	RWD	1595	115	156	03.14-03.21	■	
C200 (205.042) (M 274.920)	Rim 16, not AMG sports pack., not sports package	Gasolina	RWD	1991	135	184	12.13-08.18	■	
C200 (205.042) (M 274.920)		Gasolina	RWD	1991	135	184	06.15-	■	
C 200 4-matic (205.043) (M 274.920)	Rim 16, not AMG sports pack., not sports package, noSA P31, South Korea	Gasolina	4WD	1991	135	184	04.15-08.18	■	
C 200 4-matic (205.043) (M 274.920)		Gasolina	4WD	1991	135	184	06.15-	■	
C 200 L 4-matic (205.143) (M 274.920)		Gasolina	4WD	1991	135	184	04.15-	■	
C 200 (205.080)	not sports package, not AMG sports pack.	Gasolina	RWD	1991	150	204	08.19-05.21	■	
C 200 4-matic (205.079) (M 264.920)	Syst. Standard, not ceramic disc, not sports package, not AMG sports pack.	Gasolina	4WD	1991	150	204	08.19-05.21	■	
C 180 Flex (205.040) (M 274.910)	not sports package, not AMG sports pack.	Gasol./Et anol	RWD	1595	115	156	06.15-	■	
C 200 EQ Boost (205.077) (M 264.915)	Syst. Standard, not sports package, not AMG sports pack.	Gasol./el éc.	RWD	1497	135	184	04.18-06.21	■	
C 200 EQ Boost 4-matic (205.478) (M 264.915)	Syst. Standard, not sports package, not AMG sports pack., AMG Sports Package	Gasol./el éc.	4WD	1497	135	184	04.18-05.21	■	

LISTA DE APLICACIONES - BUYERS GUIDE

C 180 d (205.000) (OM 654.916)	Syst. Standard, not sports package, not AMG sports pack.	Diesel	RWD	1597	90	122	05.18-05.21	■	
C 200 d (205.001) (OM 654.916)	Syst. Standard, SA 55R,R00, SA 39R,R89, SA 68R, not sports package, not AMG sports pack.	Diesel	RWD	1597	118	160	05.18-05.21	■	
C 180 BlueTEC / d (205.036) (OM 626.951)	Rim 16, not AMG sports pack., not sports package, noSA P31	Diesel	RWD	1598	85	116	05.14-05.18	■	
C 200 BlueTEC / d (205.037) (OM 626.951)	Rim 16, not AMG sports pack., not sports package, noSA P31	Diesel	RWD	1598	100	136	05.14-05.18	■	
C 200 d (205.011) (OM 654.920)	Syst. Standard, Syst. 16", not sports package, not AMG sports pack.	Diesel	RWD	1950	110	150	05.18-11.18	■	
C 220 d (205.014) (OM 654.920)	Syst. Standard, not sports package, not AMG sports pack.	Diesel	RWD	1950	143	194	05.18-05.21	■	
C 220 d 4-matic (205.015) (OM 654.920)	Syst. Standard, not sports package, not AMG sports pack.	Diesel	4WD	1950	143	194	05.18-05.21	■	
C 300 d 4-matic (205.019) (OM 654.920)		Diesel	4WD	1950	180	245	06.18-05.21	■	
C 200 d (205.007) (OM 651.921)	Rim 16, not AMG sports pack., not for taxis, noSA P31,P10, not sports package	Diesel	RWD	2143	100	136	10.15-05.18	■	
C 220 BlueTEC / d (205.003) (OM 651.921)	Rim 16, not AMG sports pack., not sports package, noSA P31, SA 55R,R05, SA M018,M020, Syst. 16"	Diesel	RWD	2143	120	163	03.14-05.16	■	
C 220 BlueTEC / d (205.003) (OM 651.921)	Rim 16, with on-board compu., not sports package, not AMG sports pack.	Diesel	RWD	2143	125	170	02.14-05.18	■	
C 220 d 4-matic (205.005) (OM 651.921)	Rim 16, not AMG sports pack., Syst. Standard, not sports package	Diesel	4WD	2143	125	170	04.15-05.18	■	
C-Class IV T-Model (S205) 09.14-							Estate (Compact executive car-D Segment)		
C 160 (205.275) (M 264.915)	Syst. Standard	Gasolina	RWD	1497	95	129	06.19-11.19	■	
C 180 (205.276) (M 264.915)	Syst. Standard	Gasolina	RWD	1497	115	156	06.19-02.21	■	
C 160 (205.244) (M 274.910)	Rim 16, not AMG sports pack., not sports package, noSA P31, South Korea	Gasolina	RWD	1595	95	129	04.15-11.19	■	
C 180 (205.240) (M 274.910)	Rim 16, not AMG sports pack., not sports package, noSA P31	Gasolina	RWD	1595	115	156	09.14-08.20	■	
C 200 (205.242) (M 274.920)	not sports package, Rim 16, not AMG sports pack., noSA P31	Gasolina	RWD	1991	135	184	09.14-05.18	■	
C 200 4-matic (205.243) (M 274.920)	Rim 16, not AMG sports pack., not sports package, noSA P31, South Korea	Gasolina	4WD	1991	135	184	04.15-05.18	■	
C 200 (205.280) (M 264.920)		Gasolina	RWD	1991	150	204	06.18-	■	
C180 Flex Avantgarde (205.240) (M 274.910)	not sports package, not AMG sports pack.	Gasol./Etanol	RWD	1595	115	156	06.15-	■	
C 200 EQ Boost (205.277) (M 264.915)	Syst. Standard, not sports package, not AMG sports pack.	Gasol./eléc.	RWD	1497	135	184	04.18-02.21	■	
C 200 EQ Boost 4-matic (205.478) (M 264.915)	Syst. Standard, not sports package, not AMG sports pack., AMG Sports Package	Gasol./eléc.	4WD	1497	135	184	04.18-02.21	■	
C 180 d (205.200) (OM 654.916)	Syst. Standard, not sports package, not AMG sports pack.	Diesel	RWD	1597	90	122	05.18-02.21	■	
C 200 d (205.201) (OM 654.916)	Syst. Standard, SA 55R,R00, SA 39R,R89, SA 68R, for light alloy rims, not sports package, not AMG sports pack., Syst. 16"	Diesel	RWD	1597	118	160	05.18-02.21	■	
C 180 BlueTEC / d (205.236) (OM 626.951)	Rim 16, not AMG sports pack., not sports package, noSA P31	Diesel	RWD	1598	85	116	09.14-05.18	■	
C 200 BlueTEC / d (205.237) (OM 626.951)	Rim 16, not AMG sports pack., not sports package, noSA P31	Diesel	RWD	1598	100	136	09.14-05.18	■	
C 200 d (205.211) (OM 654.920)	Syst. Standard, for light alloy rims, not sports package, not AMG sports pack., Syst. 16"	Diesel	RWD	1950	110	150	05.18-11.18	■	
C 220 d (205.214) (OM 654.920)	Syst. Standard, not sports package, not AMG sports pack.	Diesel	RWD	1950	143	194	04.18-02.21	■	

LISTA DE APLICACIONES - BUYERS GUIDE

C 220 d 4-matic (205.215) (OM 654.920)	Syst. Standard, not sports package, not AMG sports pack., AMG Sports Package	Diesel	4WD	1950	143	194	05.18-02.21	■	
C 200 d (205.207) (OM 651.921)	Rim 16, not AMG sports pack., not sports package, noSA P31,P10, not for taxis	Diesel	RWD	2143	100	136	10.15-05.18	■	
C 220 BlueTEC / d (205.204) (OM 651.921)	Rim 16, not AMG sports pack., not sports package, noSA P31	Diesel	RWD	2143	120	163	09.14-05.18	■	
C 220 BlueTEC / d (205.204) (OM 651.921)	not sports package, Rim 16, not AMG sports pack., noSA P31	Diesel	RWD	2143	125	170	09.14-05.18	■	
C 220 d 4-matic (205.205) (OM 651.921)	Rim 16, not AMG sports pack., not sports package, noSA P31	Diesel	4WD	2143	125	170	04.15-05.18	■	
E-Class V (A238) 06.17-							Convertible (Executive car-E Segment)		
E 200 (238.442) (M 274.920)	Syst. Standard, not sports package, not AMG sports pack.	Gasolina	RWD	1991	135	184	06.17-	■	
E 260 EQ Boost (238.477)	not sports package, not AMG sports pack.	Gasol./el éc.	RWD	1497	135	184	12.19-	■	
E 300 d 4-matic (238.419)		Diesel/el éc.	4WD	1992	195	265	04.21-	■	
E 220 d (238.414) (OM 654.920)	AMG Sports Package, SA P31,801, Syst. Standard, not sports package, not AMG sports pack.	Diesel	RWD	1950	120	163	06.17-	■	
E 220 d (238.414) (OM 654.920)	AMG Sports Package, SA P31,801, Syst. Standard, not sports package, not AMG sports pack.	Diesel	RWD	1950	143	194	06.17-	■	
E-Class V (C238) 12.16-							Coupe (Executive car-E Segment)		
E 200 (238.342) (M 274.920)	not sports package, Syst. Standard, not AMG sports pack.	Gasolina	RWD	1991	135	184	12.16-	■	
E 260 EQ Boost (238.377)	not sports package, not AMG sports pack.	Gasol./el éc.	RWD	1497	135	184	12.19-	■	
E 300 d 4-matic (238.319)		Diesel/el éc.	4WD	1992	195	265	01.21-	■	
E 220 d (238.314)	not sports package, AMG Sports Package, SA P31,801, Syst. Standard, not AMG sports pack.	Diesel	RWD	1950	120	163	12.16-	■	
E 220 d (238.314) (OM 654.920)	not sports package, AMG Sports Package, SA P31,801, Syst. Standard, not AMG sports pack.	Diesel	RWD	1950	143	194	12.16-	■	
E-Class V (W213) 01.16-							Saloon (Executive car-E Segment)		
E 180 (213.076)		Gasolina	RWD	1497	115	156	07.19-10.23	■	
E 180 (213.040) (M 274.910)	Syst. Standard, not sports package, not AMG sports pack.	Gasolina	RWD	1595	115	156	01.16-06.19	■	
E 200 (213.042) (M 274.920)	not AMG sports pack., Syst. Standard, not sports package	Gasolina	RWD	1991	135	184	01.16-05.19	■	
E 220 d (213.004)	not AMG sports pack., AMG Sports Package	Diesel/el éc.	RWD	1992	147	200	02.22-10.23	■	
E 200 d (213.012) (OM 654.916)	Syst. Standard, not sports package, not AMG sports pack.	Diesel	RWD	1598	118	160	11.18-08.23	■	
E 200 d (213.013) (OM 654.920)	not AMG sports pack., Syst. Standard, not sports package	Diesel	RWD	1950	110	150	07.16-06.20	■	
E 220 d (213.004) (OM 654.920)	not AMG sports pack., Syst. Standard, not sports package	Diesel	RWD	1950	120	163	01.16-10.23	■	
E 220 d (213.004) (OM 654.920)	not AMG sports pack., Syst. Standard, not sports package	Diesel	RWD	1950	143	194	01.16-10.23	■	
E-Class V T-Model (S213) 07.16-							Estate (Executive car-E Segment)		
E 200 (213.242) (M 274.920)	not AMG sports pack., Syst. Standard, not sports package	Gasolina	RWD	1991	135	184	07.16-06.20	■	
E 250 (213.245) (M 274.920)	not AMG sports pack.	Gasolina	RWD	1991	155	211	07.16-11.18	■	
E 220 d (213.204)		Diesel/el éc.	RWD	1992	147	200	02.22-10.23	■	
E 200 d (213.212) (OM 654.916)	Syst. Standard, not sports package, not AMG sports pack.	Diesel	RWD	1597	118	160	11.18-08.23	■	

LISTA DE APLICACIONES - BUYERS GUIDE

E 200 d (213.213) (OM 654.920)	not AMG sports pack., Syst. Standard, not sports package	Diesel	RWD	1950	110	150	10.16-06.19	■	
E 220 d (213.204) (OM 654.920)	not AMG sports pack., Syst. Standard, not sports package	Diesel	RWD	1950	120	163	07.16-10.23	■	
E 220 d (213.204) (OM 654.920)	not AMG sports pack., Syst. Standard, not sports package	Diesel	RWD	1950	143	194	07.16-10.23	■	
E 220 d (213.206) (OM 654.920)	Syst. Standard, not sports package, not AMG sports pack.	Diesel	RWD	1950	143	194	09.20-	■	
GLA-Class (X156) 12.13-					SUV (Compact SUV-J Segment)				
200 (156.943) (M 270.910)		Gasolina	FWD	1595	115	156	04.15-12.19	■	
GLA 200 (156.943) (M 270.910)	China, not sports package, not AMG sports pack.	Gasolina	FWD	1595	115	156	12.13-12.19	■	
220 4-matic (156.947) (M 270.920)	not sports package	Gasolina	4WD	1991	135	184	04.15-12.19	■	
GLA 220 (156.945) (M 270.920)		Gasolina	FWD	1991	135	184	01.17-	■	
GLA 220 4-matic (156.947) (M 270.920)	China, not sports package, not AMG sports pack.	Gasolina	4WD	1991	135	184	01.17-12.19	■	
260 4-matic (156.946) (M 270.920)	not sports package	Gasolina	4WD	1991	155	211	04.15-12.19	■	
AMG GLA 45 4-matic (156.952) (M 133.980)		Gasolina	4WD	1991	250	340	01.19-	■	
CLA 200 Flex Turbo Advance, Vision, Black Edition (M 270.910)	China	Gasol./Etanol	FWD	1595	115	156	06.15-	■	
MERCEDES-BENZ (BBDC)									
C-Class (W205) 08.14-					Saloon (Compact executive car-D Segment)				
C 180 L		Gasolina	FWD	1595	115	156	10.14-	■	
C 200 L		Gasolina	FWD	1991	135	184	08.14-	■	
E-Class (W213) 01.16-					Saloon (Executive car-E Segment)				
E 200 (213.042)	not sports package, not AMG sports pack.	Gasolina	RWD	1991	135	184	01.16-	■	
E 200 L 4-matic		Gasolina	FWD	1991	135	184	11.16-	■	