

# LISTA DE APLICACIONES - BUYERS GUIDE

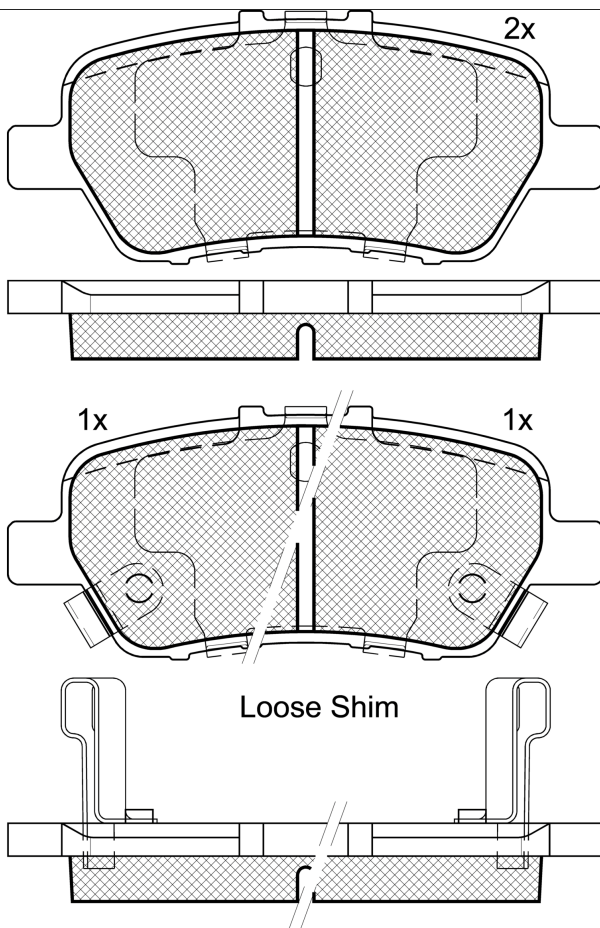
## 182215



Qty: 300

Weight: 940

O.E.M.	MAKE
06430-SFE-J00	HONDA
06430-SFE-N00	HONDA
06430-SLJ-000	HONDA
43022-SFE-000	HONDA
43022-SFE-N00	HONDA
43022-SMA-000	HONDA
43022-SYP-000	HONDA



## 182215

E 9 90R-02A0111/4254



Akebono

109x46.3x14.9

WVA	FMSI
25544	D2261-9499
25545	
25546	
MAKE	
HONDA	



Trac.	CC	Kw	CV
-------	----	----	----



Front / Rear

### HONDA

#### CROSSROAD (RT\_) 02.07-08.10

#### SUV (Compact SUV-J Segment)

1.8 i-VTEC (RT1) (R18A2)	Gasolina	FWD	1799	103	140	02.07-08.10	■
2.0 (RT3) (R20A)	Gasolina	FWD	1997	110	150	02.07-08.10	■

#### ELYSION (RR) 05.04-

#### MPV (Large MPV-M1 Segment)

2.4 i-VTEC (RR1) (K24A1)	-06/12	Gasolina	FWD	2354	118	160	05.04-	■
3.0 i-VTEC	-10/13	Gasolina	FWD	2997	184	250	05.04-	■
3.5 i-VTEC	-06/12	Gasolina	FWD	3471	221	301	05.04-	■

#### LAGREAT II 11.01-

#### MPV (Large MPV-M1 Segment)

3.5 EXi Vtec (J35A8)	Gasolina	FWD	3471	182	248	09.05-	■
----------------------	----------	-----	------	-----	-----	--------	---

#### ODYSSEY II (RL1, RA6, RA\_) 09.98-

#### MPV (Large MPV-M1 Segment)

2.4 (RB1)	Gasolina	FWD	2354	118	160	10.03-	■
2.4 i-VTEC (RB3)	Gasolina	FWD	2354	127	173	11.08-	■
2.4 i-VTEC 4x4 (RB4)	Gasolina	4WD	2354	127	173	11.08-	■
2.4 (RA6)	Gasolina	FWD	2354	140	190	10.05-	■

#### ODYSSEY III (RL3, RL4, RB) 09.04-12.10

#### MPV (Large MPV-M1 Segment)

2.4 (RB3, RB1)	Gasolina	FWD	2354	147	200	09.04-08.08	■
----------------	----------	-----	------	-----	-----	-------------	---

#### STEPWGN III (DBA-RG\_) 10.05-09.09

#### MPV (Compact MPV-M1 Segment)

2.0 (RG1)	Gasolina	FWD	1998	114	155	10.05-09.09	■
2.0 4WD (RG2)	Gasolina	4WD	1998	114	155	10.05-09.09	■
2.4 Z FF	Gasolina	FWD	2354	119	162	10.05-09.09	■
2.4 Z FF (RG3)	Gasolina	FWD	2354	119	162	10.05-09.09	■

## LISTA DE APLICACIONES - BUYERS GUIDE

<b>STREAM (RN) 05.01-</b>						<b>MPV (Compact MPV-M1 Segment)</b>			
2.0 16V (RN3) (K20A1)	07/06-	Gasolina	FWD	1998	115	156	05.01-09.06	■	
2.0 16V (RN3) (K20A5)	07/06-	Gasolina	FWD	1998	115	156	05.01-09.06	■	
<b>STREAM II (RN) 10.05-</b>						<b>MPV (Compact MPV-M1 Segment)</b>			
1.8 Vtec (RN6) (R18A2)	07/06-	Gasolina	FWD	1798	103	140	10.05-	■	
1.8 Vtec AWD (RN7) (R18A2)		Gasolina	4WD	1798	103	140	10.06-05.14	■	
2.0 Vtec (RN8)	07/06-	Gasolina	FWD	1997	110	150	10.05-	■	