

LISTA DE APLICACIONES - BUYERS GUIDE

182216

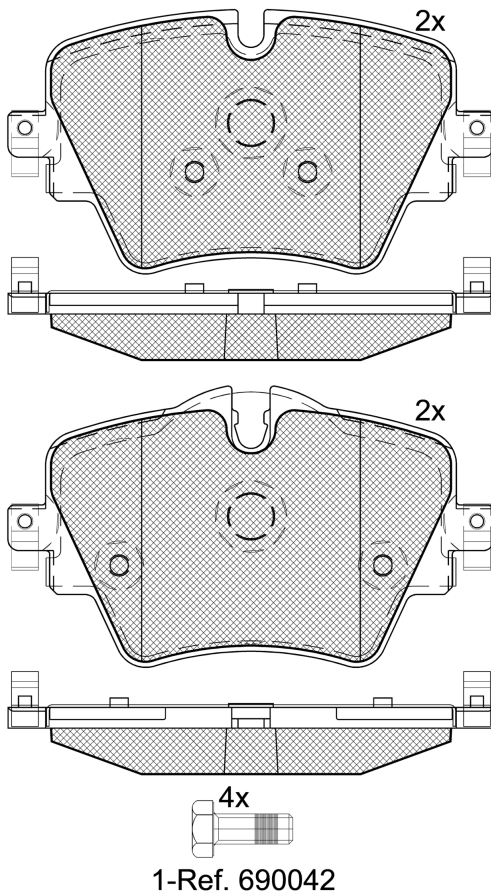


8 424073 109910

Qty: 300

Weight: 1.880

O.E.M.	MAKE
04465-WAA02	TOYOTA
34 10 6 860 019	MINI
34 10 6 872 418	MINI
34 10 6 876 245	MINI
34 10 6 882 418	BMW
34 10 6 884 492	BMW
34 10 6 884 497	BMW
34 10 6 885 521	BMW
34 10 6 888 777	BMW
34 10 6 888 778	BMW
34 10 6 898 307	BMW
34 11 6 866 309	MINI
34 11 6 882 418	MINI
34 11 6 890 553	BMW
6 884 497	BMW
6 885 521	BMW



182216

E 9 90R-02A0111/4339



Trw

129.1x70.2x18.4
129.1x74.7x18.4

VWA	FMSI
22216	D1892-9120
22217	D2244-9120
MAKE	
BMW	
BMW (BRILLIANCE)	
MINI	
TOYOTA	
ZINORO	



Trac.	CC	Kw	CV		Front / Rear
-------	----	----	----	--	--------------

BMW

1 Serie II (F52) 01.17-						Saloon (Compact car-C Segment)			
120 i		Gasolina	FWD	1998		141	192	06.18-	■
1 Serie III (F40) 07.19-						Hatchback (Compact car-C Segment)			
116 i (B38 A15 A)	discØ 307, Syst. Standard, not M technique	Gasolina	FWD	1499		80	109	11.20-	■
118 i (B38 A15 A)	discØ 307, Syst. Standard, not M technique	Gasolina	FWD	1499		100	136	11.20-	■
118 i (B38 A15 A)	discØ 307, Syst. Standard, not M technique	Gasolina	FWD	1499		103	140	07.19-	■
120 i (B48 A20 A)	discØ 330, Syst. Standard, not M technique	Gasolina	FWD	1998		131	178	11.20-	■
120 i (B48 A20 F)	discØ 330, Syst. Standard, not M technique	Gasolina	FWD	1998		131	178	11.20-	■
128 ti (B48 A20 E)	discØ 330, Syst. Standard	Gasolina	FWD	1998		195	265	11.20-	■
116 d (B37 C15 A)	discØ 307, Syst. Standard, not M technique	Diesel	FWD	1496		85	116	07.19-	■
118 d (B47 C20 B)	discØ 307, Syst. Standard, not M technique	Diesel	FWD	1995		100	136	07.19-	■
118 d (B47 C20 B)	discØ 307, Syst. Standard, not M technique	Diesel	FWD	1995		110	150	07.19-	■
120 d (B47 C20 B)	discØ 330, Syst. Standard, not M technique	Diesel	FWD	1995		140	190	03.20-	■
120 d xDrive (B47 C20 B)	discØ 330, Syst. Standard, not M technique	Diesel	4WD	1995		140	190	07.19-	■
2 Active Tourer (F45) 11.13-						MPV (Compact car-C Segment)			
218i (B38 A15 A)	Rim 17, sports chassis, M technique, discØ 307	Gasolina	FWD	1499		100	136	07.14-10.21	■
218d	Rim 17, sports chassis, M technique	Gasolina	FWD	1995		110	150	09.14-	■
220 i (B48 A20 A)		Gasolina	FWD	1998		120	163	03.14-10.21	■

LISTA DE APLICACIONES - BUYERS GUIDE

220 i (B48 A20 A)	discØ 307	Gasolina	FWD	1998	131	178	11.20-10.21	■
220 i (B48 A20 F)	discØ 307	Gasolina	FWD	1998	131	178	11.20-10.21	■
220 i (B48 A20 A)	Rim 17, sports chassis, M technique	Gasolina	FWD	1998	141	192	03.14-10.21	■
220 i (B48 A20 F)	Rim 17, sports chassis, M technique	Gasolina	FWD	1998	141	192	03.14-10.21	■
220 i		Gasolina	FWD	1998	141	192	03.16-	■
225 i (B48 A20 B)	Rim 17, sports chassis, M technique	Gasolina	FWD	1998	170	231	11.13-12.19	■
225 i xDrive (B48 A20 B)	Rim 17, sports chassis, M technique	Gasolina	4WD	1998	170	231	03.14-10.21	■
225 xe Plug-in-Hybrid (B38 A15 A)	discØ 330	Gasol./el éc.	4WD	1499	92	125	11.20-	■
225 xe Plug-in-Hybrid (IA1)	discØ 330	Gasol./el éc.	4WD	1499	92	125	11.20-	■
225 xe Plug-in-Hybrid (B38 A15 A)		Gasol./el éc.	4WD	1499	100	136	11.14-	■
225 xe Plug-in-Hybrid (IA1)		Gasol./el éc.	4WD	1499	100	136	11.14-	■
225 xe Plug-in-Hybrid (B38 A15 A)	discØ 330	Gasol./el éc.	4WD	1499	162	220	11.20-10.21	■
225 xe Plug-in-Hybrid (IA1)	discØ 330	Gasol./el éc.	4WD	1499	162	220	11.20-10.21	■
225 xe Plug-in-Hybrid (B38 A15 A)		Gasol./el éc.	4WD	1499	165	224	11.14-10.21	■
225 xe Plug-in-Hybrid (IA1)		Gasol./el éc.	4WD	1499	165	224	11.14-10.21	■
216 d (B37 C15 A)	Rim 17, sports chassis, M technique	Diesel	FWD	1496	85	116	03.14-10.21	■
218d (B47 C20 A)	Rim 17, sports chassis, M technique	Diesel	FWD	1995	110	150	11.13-10.21	■
218d (B47 C20 B)	Rim 17, sports chassis, M technique	Diesel	FWD	1995	110	150	11.13-10.21	■
220 d (B47 C20 A)		Diesel	FWD	1995	120	163	03.14-10.21	■
220 d (B47 C20 B)		Diesel	FWD	1995	120	163	03.14-10.21	■
220 d xDrive (B47 C20 A)		Diesel	4WD	1995	120	163	03.14-10.21	■
220 d xDrive (B47 C20 B)		Diesel	4WD	1995	120	163	03.14-10.21	■
220 d (B47 C20 A)	Rim 17, sports chassis, M technique	Diesel	FWD	1995	140	190	03.14-10.21	■
220 d (B47 C20 B)	Rim 17, sports chassis, M technique	Diesel	FWD	1995	140	190	03.14-10.21	■
220 d xDrive (B47 C20 A)	Rim 17, sports chassis, M technique	Diesel	4WD	1995	140	190	03.14-10.21	■
220 d xDrive (B47 C20 B)	Rim 17, sports chassis, M technique	Diesel	4WD	1995	140	190	03.14-10.21	■
2 Active Tourer Van (F45) 11.13-					Box Body/MPV (Compact car-C Segment)			
220 d (B47 C20 A)		Diesel	FWD	1995	140	190	11.14-10.21	■
220 d (B47 C20 B)		Diesel	FWD	1995	140	190	11.14-10.21	■
2 Gran Coupe (F44) 11.19-					Coupe (Compact car-C Segment)			
218i (B38 A15 A)	Syst. Standard, discØ 307, not M technique	Gasolina	FWD	1499	100	136	11.20-	■
218i (B38 A15 A)	discØ 307, Syst. Standard, not M technique	Gasolina	FWD	1499	103	140	11.19-	■
220 i (B48 A20 A)	Syst. Standard, discØ 330, not M technique	Gasolina	FWD	1998	131	178	11.20-	■
220 i (B48 A20 F)	Syst. Standard, discØ 330, not M technique	Gasolina	FWD	1998	131	178	11.20-	■
220 i xDrive	Syst. Standard, discØ 330	Gasolina	4WD	1998	131	178	03.21-	■
220 i (B48 A20 A,B48 A20 C,B48 A20 F)	not M technique	Gasolina	FWD	1998	141	192	07.20-	■
228 i xDrive (B46 A20 B)	not M technique	Gasolina	4WD	1998	170	231	11.19-	■
216 d (B37 C15 A)	discØ 307, Syst. Standard, not M technique	Diesel	FWD	1496	85	116	03.20-	■
218d (B47 C20 B)	discØ 307, not sports package, Syst. Standard, not M technique	Diesel	FWD	1995	100	136	07.20-10.24	■

LISTA DE APLICACIONES - BUYERS GUIDE

218d (B47 C20 B)	discØ 307, not sports package, Syst. Standard, not M technique	Diesel	FWD	1995	110	150	07.20-	■	
220 d (B47 C20 B)	discØ 330, Syst. Standard, not M technique	Diesel	FWD	1995	120	163	11.19-	■	
220 d (B47 C20 B)	discØ 330, Syst. Standard, not M technique	Diesel	FWD	1995	140	190	11.19-	■	
220 d xDrive (B47 C20 B)	discØ 330, not sports package, Syst. Standard, not M technique	Diesel	4WD	1995	140	190	07.20-10.24	■	
2 Gran Tourer (F46) 07.14-					MPV (Compact car-C Segment)				
218i (B38 A15 A)	discØ 307, discØ 330	Gasolina	FWD	1499	100	136	03.15-	■	
218i (B38 A15 A)	discØ 307, discØ 330	Gasolina	FWD	1499	103	140	04.17-	■	
220 i (B48 A20 A)	discØ 330	Gasolina	FWD	1998	120	163	03.15-	■	
220 i (B48 A20 A)	discØ 330	Gasolina	FWD	1998	131	178	11.20-	■	
220 i (B48 A20 F)	discØ 330	Gasolina	FWD	1998	131	178	11.20-	■	
220 i (B48 A20 A)	discØ 330	Gasolina	FWD	1998	141	192	03.15-	■	
216 d (B37 C15 A)	Rim 17, sports chassis, M technique	Diesel	FWD	1496	85	116	03.15-	■	
218d (B47 C20 A)	Rim 17, sports chassis, M technique, discØ 307, discØ 330	Diesel	FWD	1995	100	136	07.14-	■	
218d (B47 C20 B)	Rim 17, sports chassis, M technique, discØ 307, discØ 330	Diesel	FWD	1995	100	136	07.14-	■	
218 d xDrive (B47 C20 A)	Rim 17, sports chassis, M technique, discØ 307, discØ 330	Diesel	4WD	1995	100	136	03.15-	■	
218 d xDrive (B47 C20 B)	Rim 17, sports chassis, M technique, discØ 307, discØ 330	Diesel	4WD	1995	100	136	03.15-	■	
218d (B47 C20 A)	Rim 17, sports chassis, M technique, discØ 307, discØ 330	Diesel	FWD	1995	110	150	07.14-	■	
218d (B47 C20 B)	Rim 17, sports chassis, M technique, discØ 307, discØ 330	Diesel	FWD	1995	110	150	07.14-	■	
218 d xDrive (B47 C20 A)	Rim 17, sports chassis, M technique, discØ 307, discØ 330	Diesel	4WD	1995	110	150	03.15-	■	
218 d xDrive (B47 C20 B)	Rim 17, sports chassis, M technique, discØ 307, discØ 330	Diesel	4WD	1995	110	150	03.15-	■	
220 d (B47 C20 A)		Diesel	FWD	1995	120	163	09.14-	■	
220 d (B47 C20 B)		Diesel	FWD	1995	120	163	09.14-	■	
220 d xDrive (B47 C20 A)	discØ 330	Diesel	4WD	1995	120	163	03.15-	■	
220 d xDrive (B47 C20 B)	discØ 330	Diesel	4WD	1995	120	163	03.15-	■	
220 d (B47 C20 A)	discØ 330	Diesel	FWD	1995	140	190	09.14-	■	
220 d (B47 C20 B)	discØ 330	Diesel	FWD	1995	140	190	09.14-	■	
220 d xDrive (B47 C20 A)	discØ 330	Diesel	4WD	1995	140	190	03.15-	■	
220 d xDrive (B47 C20 B)	discØ 330	Diesel	4WD	1995	140	190	03.15-	■	
2 Gran Tourer Van (F46) 07.14-					Box Body/MPV (Compact car-C Segment)				
218i (B38 A15 A)	discØ 307, discØ 330	Gasolina	FWD	1499	103	140	04.17-	■	
218d (B47 C20 A)	discØ 307, discØ 330	Diesel	FWD	1995	110	150	07.14-	■	
218d (B47 C20 B)	discØ 307, discØ 330	Diesel	FWD	1995	110	150	07.14-	■	
220 d (B47 C20 A)		Diesel	FWD	1995	140	190	07.14-	■	
220 d (B47 C20 B)		Diesel	FWD	1995	140	190	07.14-	■	
2 Serie (F23) 03.14-					Convertible (Compact car-C Segment)				
225 i (B48 B20 A)	Rim 17, sports chassis, M technique	Gasolina	RWD	1998	135	184	10.17-06.21	■	

LISTA DE APLICACIONES - BUYERS GUIDE

2 Serie II (G42, G87) 08.21-						Coupe (Compact car-C Segment)			
220 i	discØ 307, Syst. standard	Gasolina	RWD	1998	135	184	08.21-	■	
220 d Mild-Hybrid	discØ 307, Syst. standard	Diesel/el éc.	RWD	1995	140	190	08.21-	■	
3 Serie VII (G20, G80, G28) 11.18-						Saloon (Compact executive car-D Segment)			
320 i 1.6 (B48 B16 A)	Syst. Standard, discØ 307, not M technique	Gasolina	RWD	1997	125	170	03.19-	■	
320i (B48 B20 A)	discØ 307, Syst. Standard, not M technique	Gasolina	RWD	1998	135	184	03.19-	■	
320i (B48 B20 B)	discØ 307, Syst. Standard, not M technique	Gasolina	RWD	1998	135	184	03.19-	■	
320 i xDrive (B48 B20 A)	Syst. Standard, discØ 307, not M technique	Gasolina	4WD	1998	135	184	07.19-	■	
330i (B46 B20 B)	USA, discØ 330	Gasolina	RWD	1998	190	258	11.18-	■	
330i (B48 B20 B)	USA, discØ 330	Gasolina	RWD	1998	190	258	11.18-	■	
330 i xDrive (B46 B20 B)	USA, discØ 348, Syst. Standard	Gasolina	4WD	1998	190	258	11.18-	■	
330 i xDrive (B48 B20 B)	USA, discØ 348, Syst. Standard	Gasolina	4WD	1998	190	258	11.18-	■	
320 e Plug-in-Hybrid (B48 B20 A)	discØ 330, Syst. Standard, not M technique	Gasol./el éc.	RWD	1998	120	163	07.20-	■	
320 e Plug-in-Hybrid (GC1)	discØ 330, Syst. Standard, not M technique	Gasol./el éc.	RWD	1998	120	163	07.20-	■	
320 e Plug-in-Hybrid (B48 B20 A)	discØ 330, Syst. Standard, not M technique	Gasol./el éc.	RWD	1998	150	204	07.20-	■	
320 e Plug-in-Hybrid (GC1)	discØ 330, Syst. Standard, not M technique	Gasol./el éc.	RWD	1998	150	204	07.20-	■	
320 d Mild-Hybrid (B47 D20 B)	not M technique, Syst. Standard, discØ 307	Diesel/el éc.	RWD	1995	120	163	03.20-	■	
320 d Mild-Hybrid (JA1)	not M technique, Syst. Standard, discØ 307	Diesel/el éc.	RWD	1995	120	163	03.20-	■	
320 d Mild-Hybrid xDrive (B47 D20 B)	not M technique, Syst. Standard, discØ 307	Diesel/el éc.	4WD	1995	120	163	03.20-	■	
320 d Mild-Hybrid xDrive (JA1)	not M technique, Syst. Standard, discØ 307	Diesel/el éc.	4WD	1995	120	163	03.20-	■	
320 d Mild-Hybrid (B47 D20 B)	not M technique, Syst. Standard, discØ 307	Diesel/el éc.	RWD	1995	140	190	03.20-	■	
320 d Mild-Hybrid (JA1)	not M technique, Syst. Standard, discØ 307	Diesel/el éc.	RWD	1995	140	190	03.20-	■	
320 d Mild-Hybrid xDrive (B47 D20 B)	not M technique, Syst. Standard, discØ 307	Diesel/el éc.	4WD	1995	140	190	03.20-	■	
320 d Mild-Hybrid xDrive (JA1)	not M technique, Syst. Standard, discØ 307	Diesel/el éc.	4WD	1995	140	190	03.20-	■	
320 d (B47 D20 B)	discØ 307, Syst. Standard, not M technique	Diesel	RWD	1995	120	163	11.18-02.20	■	
320 d xDrive (B47 D20 B)	discØ 307, Syst. Standard, not M technique	Diesel	4WD	1995	120	163	11.18-02.20	■	
320 d (B47 D20 B)	discØ 307, Syst. Standard, not M technique	Diesel	RWD	1995	140	190	11.18-	■	
320 d xDrive (B47 D20 B)	discØ 307, Syst. Standard, not M technique	Diesel	4WD	1995	140	190	11.18-02.20	■	
3 Serie VII Touring (G21, G81) 07.19-						Estate (Compact executive car-D Segment)			
320i (B46 B20 B)	Syst. Standard, discØ 307, not M technique	Gasolina	RWD	1998	135	184	11.19-	■	
320i (B48 B20 A)	Syst. Standard, discØ 307, not M technique	Gasolina	RWD	1998	135	184	11.19-	■	
330i (B48 B20 B)	USA, discØ 330	Gasolina	RWD	1998	190	258	07.19-	■	
320 e Plug-in-Hybrid (B48 B20 A)	discØ 330, Syst. Standard, not M technique	Gasol./el éc.	RWD	1998	120	163	07.20-	■	
320 e Plug-in-Hybrid (GC1)	discØ 330, Syst. Standard, not M technique	Gasol./el éc.	RWD	1998	120	163	07.20-	■	
320 e Plug-in-Hybrid xDrive	discØ 330, Syst. STANDARD	Gasol./el éc.	4WD	1998	120	163	03.21-	■	
320 e Plug-in-Hybrid (B48 B20 A)	discØ 330, Syst. Standard, not M technique	Gasol./el éc.	RWD	1998	150	204	07.20-	■	

LISTA DE APLICACIONES - BUYERS GUIDE

320 e Plug-in-Hybrid (GC1)	discØ 330, Syst. Standard, not M technique	Gasol./el éc.	RWD	1998	150	204	07.20-	■	
320 e Plug-in-Hybrid xDrive	discØ 330, Syst. STANDARD	Gasol./el éc.	4WD	1998	150	204	03.21-	■	
320 d Mild-Hybrid (B47 D20 B)	not M technique, Syst. Standard, discØ 307	Diesel/el éc.	RWD	1995	120	163	03.20-	■	
320 d Mild-Hybrid (JA1)	not M technique, Syst. Standard, discØ 307	Diesel/el éc.	RWD	1995	120	163	03.20-	■	
320 d Mild-Hybrid xDrive (B47 D20 B)	not M technique, Syst. Standard, discØ 307	Diesel/el éc.	4WD	1995	120	163	03.20-	■	
320 d Mild-Hybrid xDrive (JA1)	not M technique, Syst. Standard, discØ 307	Diesel/el éc.	4WD	1995	120	163	03.20-	■	
320 d Mild-Hybrid (B47 D20 B)	not M technique, Syst. Standard, discØ 307	Diesel/el éc.	RWD	1995	140	190	03.20-	■	
320 d Mild-Hybrid (JA1)	not M technique, Syst. Standard, discØ 307	Diesel/el éc.	RWD	1995	140	190	03.20-	■	
320 d Mild-Hybrid xDrive (B47 D20 B)	not M technique, Syst. Standard, discØ 307	Diesel/el éc.	4WD	1995	140	190	03.20-	■	
320 d Mild-Hybrid xDrive (JA1)	not M technique, Syst. Standard, discØ 307	Diesel/el éc.	4WD	1995	140	190	03.20-	■	
320 d (B47 D20 B)	discØ 307, Syst. Standard, not M technique	Diesel	RWD	1995	120	163	07.19-02.20	■	
320 d xDrive (B47 D20 B)	discØ 307, Syst. Standard, not M technique	Diesel	4WD	1995	120	163	07.19-02.20	■	
320 d (B47 D20 B)	discØ 307, Syst. Standard, not M technique	Diesel	RWD	1995	140	190	07.19-02.20	■	
320 d xDrive (B47 D20 B)	discØ 307, Syst. Standard, not M technique	Diesel	4WD	1995	140	190	07.19-02.20	■	
3 Serie VII Touring Van (G21) 07.19-						Estate Van (Compact executive car-D Segment)			
320i (B46 B20 B)	Syst. Standard, discØ 307, not M technique	Gasolina	RWD	1998	135	184	11.19-	■	
320i (B48 B20 A)	Syst. Standard, discØ 307, not M technique	Gasolina	RWD	1998	135	184	11.19-	■	
330i (B48 B20 B)	USA, discØ 330	Gasolina	RWD	1998	190	258	07.19-	■	
320 d Mild-Hybrid (B47 D20 B)	not M technique, Syst. Standard, discØ 307	Diesel/el éc.	RWD	1995	140	190	03.20-	■	
320 d Mild-Hybrid (JA1)	not M technique, Syst. Standard, discØ 307	Diesel/el éc.	RWD	1995	140	190	03.20-	■	
320 d Mild-Hybrid xDrive (B47 D20 B)	not M technique, Syst. Standard, discØ 307	Diesel/el éc.	4WD	1995	140	190	03.20-	■	
320 d Mild-Hybrid xDrive (JA1)	not M technique, Syst. Standard, discØ 307	Diesel/el éc.	4WD	1995	140	190	03.20-	■	
320 d (B47 D20 B)	Syst. Standard, discØ 307, not M technique	Diesel	RWD	1995	140	190	07.19-02.20	■	
320 d xDrive (B47 D20 B)	discØ 307, Syst. Standard, not M technique	Diesel	4WD	1995	140	190	07.19-02.20	■	
4 Serie II (G23, G83) 11.20-						Convertible (Compact executive car-D Segment)			
420 i (B48 B20 A)	not M technique, Syst. Standard, discØ 307	Gasolina	RWD	1998	135	184	11.20-	■	
430 i (B46 B20 B)	not M technique	Gasolina	RWD	1998	190	258	11.20-	■	
430 i (B48 B20 B)	not M technique	Gasolina	RWD	1998	190	258	11.20-	■	
420 d Mild-Hybrid (B47 D20 B)	not M technique, discØ 307, Syst. Standard	Diesel/el éc.	RWD	1995	120	163	11.20-	■	
420 d Mild-Hybrid (JA1)	not M technique, discØ 307, Syst. Standard	Diesel/el éc.	RWD	1995	120	163	11.20-	■	
420 d Mild-Hybrid (B47 D20 B)	not M technique, Syst. Standard, discØ 307	Diesel/el éc.	RWD	1995	140	190	11.20-	■	
420 d Mild-Hybrid (JA1)	not M technique, Syst. Standard, discØ 307	Diesel/el éc.	RWD	1995	140	190	11.20-	■	
430 d Mild-Hybrid (B57 D30 B)	not M technique, not Performance brak	Diesel/el éc.	RWD	2993	210	286	07.21-	■	
430 d Mild-Hybrid (JA1)	not M technique, not Performance brak	Diesel/el éc.	RWD	2993	210	286	07.21-	■	
4 Serie II (G22, G82) 07.20-						Coupe (Compact executive car-D Segment)			
420 i 1.6 (B48 B16 A)	discØ 307, Syst. Standard, not M technique	Gasolina	RWD	1597	125	170	11.20-	■	

LISTA DE APLICACIONES - BUYERS GUIDE

420 i (B46 B20 B)	Syst. Standard, discØ 307, not M technique	Gasolina	RWD	1998	135	184	07.20-	■	
420 i (B48 B20 A)	Syst. Standard, discØ 307, not M technique	Gasolina	RWD	1998	135	184	07.20-	■	
420 i	Syst. standard, discØ 307, not M technique	Gasolina	RWD	1998	135	184	07.21-	■	
420 i xDrive	discØ 307, Syst. Standard, not M technique	Gasolina	4WD	1998	135	184	07.21-	■	
430 i	not M technique	Gasolina	RWD	1998	180	245	07.21-	■	
430 i (B46 B20 B)	not M technique	Gasolina	RWD	1998	190	258	07.20-	■	
430 i (B48 B20 B)	not M technique	Gasolina	RWD	1998	190	258	07.20-	■	
430 i xDrive (B46 B20 B)	not M technique	Gasolina	4WD	1998	190	258	07.20-	■	
420 d Mild-Hybrid (B47 D20 B)	Syst. Standard, discØ 307, not M technique	Diesel/el éc.	RWD	1995	120	163	07.20-	■	
420 d Mild-Hybrid (JA1)	Syst. Standard, discØ 307, not M technique	Diesel/el éc.	RWD	1995	120	163	07.20-	■	
420 d Mild-Hybrid xDrive (B47 D20 B)	Syst. Standard, discØ 307, not M technique	Diesel/el éc.	4WD	1995	120	163	07.20-	■	
420 d Mild-Hybrid xDrive (JA1)	Syst. Standard, discØ 307, not M technique	Diesel/el éc.	4WD	1995	120	163	07.20-	■	
420 d Mild-Hybrid (B47 D20 B)	Syst. Standard, discØ 307, not M technique	Diesel/el éc.	RWD	1995	140	190	07.20-	■	
420 d Mild-Hybrid (JA1)	Syst. Standard, discØ 307, not M technique	Diesel/el éc.	RWD	1995	140	190	07.20-	■	
420 d Mild-Hybrid	discØ 307, Syst. standard	Diesel/el éc.	RWD	1995	140	190	07.21-	■	
420 d Mild-Hybrid xDrive (B47 D20 B)	Syst. Standard, discØ 307, not M technique	Diesel/el éc.	4WD	1995	140	190	07.20-	■	
420 d Mild-Hybrid xDrive (JA1)	Syst. Standard, discØ 307, not M technique	Diesel/el éc.	4WD	1995	140	190	07.20-	■	
420 d Mild-Hybrid xDrive	not M technique, Syst. Standard, discØ 307	Diesel/el éc.	4WD	1995	140	190	07.21-	■	
5 Serie VII (G30, F90) 09.16-							Saloon (Executive car-E Segment)		
520 i (B48 B16 A)	Syst. Standard, discØ 330	Gasolina	RWD	1597	125	170	07.17-06.23	■	
520 i (B48 B20 A)	Syst. Standard, discØ 330	Gasolina	RWD	1998	120	163	07.17-06.20	■	
520 i (B48 B20 B)	Syst. Standard, discØ 330	Gasolina	RWD	1998	120	163	07.17-06.20	■	
520 i (B48 B20 A)	Syst. Standard, discØ 330	Gasolina	RWD	1998	135	184	07.17-	■	
520 i (B48 B20 B)	Syst. Standard, discØ 330	Gasolina	RWD	1998	135	184	07.17-	■	
520 i (B48 B20 A)	Syst. Standard, discØ 330	Gasolina	RWD	1998	155	211	07.17-06.20	■	
520 i (B48 B20 B)	Syst. Standard, discØ 330	Gasolina	RWD	1998	155	211	07.17-06.20	■	
520 i Mild-Hybrid (B48 B20 A)	Syst. Standard, discØ 330, not M technique	Gasol./el éc.	RWD	1998	120	163	07.20-06.23	■	
520 i Mild-Hybrid (JA1)	Syst. Standard, discØ 330, not M technique	Gasol./el éc.	RWD	1998	120	163	07.20-06.23	■	
520 i Mild-Hybrid (B48 B20 A)	Syst. Standard, discØ 330, not M technique	Gasol./el éc.	RWD	1998	135	184	07.20-06.23	■	
520 i Mild-Hybrid (JA1)	Syst. Standard, discØ 330, not M technique	Gasol./el éc.	RWD	1998	135	184	07.20-06.23	■	
518 d Mild-Hybrid (B47 D20 B)	discØ 330, Syst. Standard, not M technique	Diesel/el éc.	RWD	1995	100	136	07.20-06.23	■	
518 d Mild-Hybrid (JA1)	discØ 330, Syst. Standard, not M technique	Diesel/el éc.	RWD	1995	100	136	07.20-06.23	■	
518 d Mild-Hybrid (B47 D20 B)	discØ 330, Syst. Standard, not M technique	Diesel/el éc.	RWD	1995	110	150	07.20-06.23	■	
518 d Mild-Hybrid (JA1)	discØ 330, Syst. Standard, not M technique	Diesel/el éc.	RWD	1995	110	150	07.20-06.23	■	
520 d Mild-Hybrid (B47 D20 B)	Syst. Standard, discØ 330	Diesel/el éc.	RWD	1995	120	163	11.19-06.23	■	
520 d Mild-Hybrid (JA1)	Syst. Standard, discØ 330	Diesel/el éc.	RWD	1995	120	163	11.19-06.23	■	
520 d Mild-Hybrid (B47 D20 B)		Diesel/el éc.	RWD	1995	140	190	11.19-06.23	■	
520 d Mild-Hybrid (JA1)		Diesel/el éc.	RWD	1995	140	190	11.19-06.23	■	
520 d Mild-Hybrid xDrive (B47 D20 B)	Syst. Standard, discØ 330	Diesel/el éc.	4WD	1995	140	190	11.19-06.23	■	

LISTA DE APLICACIONES - BUYERS GUIDE

520 d Mild-Hybrid xDrive (JA1)	Syst. Standard, discØ 330	Diesel/el éc.	4WD	1995	140	190	11.19-06.23	■	
530 d Mild-Hybrid (B57 D30 B)	not M technique	Diesel/el éc.	RWD	2993	183	249	07.20-06.23	■	
530 d Mild-Hybrid (JA1)	not M technique	Diesel/el éc.	RWD	2993	183	249	07.20-06.23	■	
518 d (B47 D20 B)	Syst. Standard, discØ 330	Diesel	RWD	1995	100	136	07.18-06.20	■	
518 d (B47 D20 B)	Syst. Standard, discØ 330	Diesel	RWD	1995	110	150	07.18-06.20	■	
520 d (B47 D20 A)	discØ 330, Syst. Standard	Diesel	RWD	1995	120	163	09.16-06.23	■	
520 d xDrive (B47 D20 A)	discØ 330, Syst. Standard	Diesel	4WD	1995	120	163	09.16-06.23	■	
520 d (B47 D20 A)	discØ 330, Syst. Standard	Diesel	RWD	1995	140	190	09.16-06.23	■	
520 d (B47 D20 B)	discØ 330, Syst. Standard	Diesel	RWD	1995	140	190	09.16-06.23	■	
520 d xDrive (B47 D20 A)	discØ 330, Syst. Standard	Diesel	4WD	1995	140	190	09.16-06.23	■	
525 d (B47 D20 B)	discØ 330, SA S212A	Diesel	RWD	1995	155	211	07.17-06.19	■	
525 d (B47 D20 B)	discØ 330, SA S212A	Diesel	RWD	1995	170	231	07.17-06.19	■	
5 Serie VII Touring (G31) 03.17-							Estate (Executive car-E Segment)		
520 i (B48 B20 A)	Syst. Standard, discØ 330, not M technique	Gasolina	RWD	1998	120	163	07.17-06.20	■	
520 i (B48 B20 A)	Syst. Standard, discØ 330, not M technique	Gasolina	RWD	1998	135	184	07.17-06.20	■	
520 i (B48 B20 A)	Syst. Standard, discØ 330, not M technique	Gasolina	RWD	1998	155	211	07.17-06.20	■	
520 i Mild-Hybrid (B48 B20 A)	Syst. Standard, not M technique	Gasol./el éc.	RWD	1998	120	163	07.20-	■	
520 i Mild-Hybrid (JA1)	Syst. Standard, not M technique	Gasol./el éc.	RWD	1998	120	163	07.20-	■	
520 i Mild-Hybrid (B48 B20 A)	Syst. Standard, discØ 330, not M technique	Gasol./el éc.	RWD	1998	135	184	07.20-	■	
520 i Mild-Hybrid (JA1)	Syst. Standard, discØ 330, not M technique	Gasol./el éc.	RWD	1998	135	184	07.20-	■	
518 d Mild-Hybrid (B47 D20 B)	discØ 330, Syst. Standard, not M technique	Diesel/el éc.	RWD	1995	100	136	07.20-	■	
518 d Mild-Hybrid (JA1)	discØ 330, Syst. Standard, not M technique	Diesel/el éc.	RWD	1995	100	136	07.20-	■	
518 d Mild-Hybrid (B47 D20 B)	discØ 330, Syst. Standard, not M technique	Diesel/el éc.	RWD	1995	110	150	07.20-	■	
518 d Mild-Hybrid (JA1)	discØ 330, Syst. Standard, not M technique	Diesel/el éc.	RWD	1995	110	150	07.20-	■	
520 d Mild-Hybrid (B47 D20 B)	discØ 330, Syst. Standard, not M technique	Diesel/el éc.	RWD	1995	120	163	11.19-	■	
520 d Mild-Hybrid (JA1)	discØ 330, Syst. Standard, not M technique	Diesel/el éc.	RWD	1995	120	163	11.19-	■	
520 d Mild-Hybrid (B47 D20 B)	Syst. Standard, discØ 330	Diesel/el éc.	RWD	1995	140	190	11.19-	■	
520 d Mild-Hybrid (JA1)	Syst. Standard, discØ 330	Diesel/el éc.	RWD	1995	140	190	11.19-	■	
520 d Mild-Hybrid xDrive (B47 D20 B)	Syst. Standard, discØ 330, not reinforced brak.	Diesel/el éc.	4WD	1995	140	190	11.19-	■	
520 d Mild-Hybrid xDrive (JA1)	Syst. Standard, discØ 330, not reinforced brak.	Diesel/el éc.	4WD	1995	140	190	11.19-	■	
518 d (B47 D20 B)	Syst. Standard, discØ 330, not M technique	Diesel	RWD	1995	100	136	07.18-06.20	■	
518 d (B47 D20 B)	Syst. Standard, discØ 330, not M technique	Diesel	RWD	1995	110	150	07.18-06.20	■	
520 d (B47 D20 A)	Syst. Standard, discØ 330, not M technique	Diesel	RWD	1995	120	163	03.17-	■	
520 d (B47 D20 B)	Syst. Standard, discØ 330, not M technique	Diesel	RWD	1995	120	163	03.17-	■	
520 d xDrive (B47 D20 A)	Syst. Standard, discØ 330, not reinforced brak.	Diesel	4WD	1995	120	163	07.17-	■	
520 d xDrive (B47 D20 B)	Syst. Standard, discØ 330, not reinforced brak.	Diesel	4WD	1995	120	163	07.17-	■	
520 d (B47 D20 A)	Syst. Standard, discØ 330, not M technique	Diesel	RWD	1995	140	190	03.17-	■	
520 d (B47 D20 B)	Syst. Standard, discØ 330, not M technique	Diesel	RWD	1995	140	190	03.17-	■	

LISTA DE APLICACIONES - BUYERS GUIDE

520 d xDrive (B47 D20 A)	Syst. Standard, discØ 330, not reinforced brak.	Diesel	4WD	1995	140	190	07.17-	■	
520 d xDrive (B47 D20 B)	Syst. Standard, discØ 330, not reinforced brak.	Diesel	4WD	1995	140	190	07.17-	■	
525 d (B47 D20 B)	discØ 330, SA S212A	Diesel	RWD	1995	155	211	07.17-06.19	■	
525 d (B47 D20 B)	discØ 330, SA S212A	Diesel	RWD	1995	170	231	07.17-06.19	■	
5 Serie VII Touring Van (G31) 03.17-							Estate Van (Executive car-E Segment)		
520 i (B48 B20 A)	Syst. Standard, discØ 330, not M technique	Gasolina	RWD	1998	135	184	07.17-	■	
520 d (B47 D20 A)	Syst. Standard, discØ 330, not M technique	Diesel	RWD	1995	140	190	03.17-11.19	■	
520 d (B47 D20 B)	Syst. Standard, discØ 330, not M technique	Diesel	RWD	1995	140	190	03.17-11.19	■	
520 d xDrive (B47 D20 A)	Syst. Standard, discØ 330, not reinforced brak.	Diesel	4WD	1995	140	190	07.17-11.19	■	
520 d xDrive (B47 D20 B)	Syst. Standard, discØ 330, not reinforced brak.	Diesel	4WD	1995	140	190	07.17-11.19	■	
X1 II (F48) 11.14-							SUV (Compact SUV-J Segment)		
sDrive18i (B38 A15 A)	discØ 307, Syst. Standard	Gasolina	FWD	1499	100	136	11.15-06.22	■	
sDrive18i (B38 A15 A)	discØ 307, Syst. Standard	Gasolina	FWD	1499	103	140	07.17-06.22	■	
sDrive20i (B48 A20 A)	discØ 330, Syst. Standard, not M technique	Gasolina	FWD	1998	131	178	11.20-06.22	■	
sDrive20i (B48 A20 F)	discØ 330, Syst. Standard, not M technique	Gasolina	FWD	1998	131	178	11.20-06.22	■	
xDrive20i (B48 A20 A)	Syst. Standard, discØ 330, not M technique	Gasolina	4WD	1998	131	178	11.20-06.22	■	
xDrive20i (B48 A20 F)	Syst. Standard, discØ 330, not M technique	Gasolina	4WD	1998	131	178	11.20-06.22	■	
sDrive20i (B42 S20 A)	discØ 330, Syst. Standard	Gasolina	FWD	1998	141	192	07.15-06.22	■	
sDrive20i (B48 A20 A)	discØ 330, Syst. Standard	Gasolina	FWD	1998	141	192	07.15-06.22	■	
sDrive20i (B48 A20 F)	discØ 330, Syst. Standard	Gasolina	FWD	1998	141	192	07.15-06.22	■	
xDrive20i (B48 A20 A)	discØ 330, Syst. Standard	Gasolina	4WD	1998	141	192	07.15-06.22	■	
xDrive20i (B48 A20 B)	discØ 330, Syst. Standard	Gasolina	4WD	1998	141	192	07.15-06.22	■	
xDrive20i (B48 A20 F)	discØ 330, Syst. Standard	Gasolina	4WD	1998	141	192	07.15-06.22	■	
sDrive28i (B46 A20 B)		Gasolina	FWD	1998	170	231	11.14-	■	
xDrive 25 i (B42 S20 A)	discØ 330, Syst. Standard	Gasolina	4WD	1998	170	231	07.15-10.21	■	
xDrive 25 i (B46 A20 B)	discØ 330, Syst. Standard	Gasolina	4WD	1998	170	231	07.15-10.21	■	
xDrive 25 i (B48 A20 B)	discØ 330, Syst. Standard	Gasolina	4WD	1998	170	231	07.15-10.21	■	
sDrive 20 i ActiveFlex	not M technique	Gasol./Et anol	FWD	1998	141	192	07.15-	■	
xDrive 25 i ActiveFlex (B42 S20 A,B48 A20 B)	not M technique	Gasol./Et anol	4WD	1998	170	231	03.16-01.18	■	
xDrive 25 e Plug-in-Hybrid (B38 A15 A)		Gasol./el éc.	4WD	1499	92	125	03.20-	■	
xDrive 25 e Plug-in-Hybrid (B38 A15 A)		Gasol./el éc.	4WD	1499	162	220	03.20-06.22	■	
sDrive 16 d (B37 C15 A)	discØ 330, discØ 307, Syst. Standard	Diesel	FWD	1496	85	116	11.14-05.22	■	
sDrive 18 d (B47 C20 A)	discØ 307, Syst. Standard	Diesel	FWD	1995	100	136	07.15-06.22	■	
xDrive 18 d (B47 C20 A)	discØ 330, discØ 307, Syst. Standard	Diesel	4WD	1995	100	136	11.14-06.22	■	
sDrive 18 d (B47 C20 A)	discØ 307, Syst. Standard	Diesel	FWD	1995	110	150	07.15-06.22	■	
sDrive 18 d (B47 C20 B)	discØ 307, Syst. Standard	Diesel	FWD	1995	110	150	07.15-06.22	■	
xDrive 18 d (B47 C20 A)	discØ 307, Syst. Standard	Diesel	4WD	1995	110	150	11.14-06.22	■	
xDrive 18 d (B47 C20 B)	discØ 307, Syst. Standard	Diesel	4WD	1995	110	150	11.14-06.22	■	
sDrive 20 d (B47 C20 A)	discØ 330, Syst. Standard	Diesel	FWD	1995	120	163	11.15-05.22	■	
sDrive 20 d (B47 C20 B)	discØ 330, Syst. Standard	Diesel	FWD	1995	120	163	11.15-05.22	■	
xDrive 20 d (B47 C20 A)	discØ 330, Syst. Standard	Diesel	4WD	1995	120	163	07.15-06.22	■	
xDrive 20 d (B47 C20 B)	discØ 330, Syst. Standard	Diesel	4WD	1995	120	163	07.15-06.22	■	
sDrive 20 d (B47 C20 A)	discØ 330, Syst. Standard	Diesel	FWD	1995	140	190	11.15-05.22	■	

LISTA DE APLICACIONES - BUYERS GUIDE

sDrive 20 d (B47 C20 B)	discØ 330, Syst. Standard	Diesel	FWD	1995	140	190	11.15-05.22	■	
xDrive 20 d (B47 C20 A)	discØ 330, Syst. Standard	Diesel	4WD	1995	140	190	07.15-06.22	■	
xDrive 20 d (B47 C20 B)	discØ 330, Syst. Standard	Diesel	4WD	1995	140	190	07.15-06.22	■	
xDrive 25 d (B47 C20 B)	discØ 330	Diesel	4WD	1995	170	231	11.14-05.22	■	
X1 II Van (F48) 07.15-					SUV Van (Compact SUV-J Segment)				
sDrive18i (B38 A15 A)	Syst. Standard, discØ 307	Gasolina	FWD	1499	103	140	07.17-06.22	■	
sDrive20i (B48 A20 A)	discØ 307, discØ 330, Syst. Standard	Gasolina	FWD	1998	141	192	07.17-06.22	■	
sDrive 18 d (B47 C20 A)	discØ 307, Syst. Standard	Diesel	FWD	1995	110	150	07.15-06.22	■	
sDrive 18 d (B47 C20 B)	discØ 307, Syst. Standard	Diesel	FWD	1995	110	150	07.15-06.22	■	
sDrive 20 d (B47 C20 A)	Syst. Standard, discØ 330	Diesel	FWD	1995	140	190	11.15-05.22	■	
sDrive 20 d (B47 C20 B)	Syst. Standard, discØ 330	Diesel	FWD	1995	140	190	11.15-05.22	■	
xDrive 20 d (B47 C20 A)	Syst. Standard, discØ 330	Diesel	4WD	1995	140	190	07.15-06.22	■	
xDrive 20 d (B47 C20 B)	Syst. Standard, discØ 330	Diesel	4WD	1995	140	190	07.15-06.22	■	
X2 (F39) 11.17-					SUV (Compact SUV-J Segment)				
sDrive18i (B32 S15 A)		Gasolina	FWD	1499	100	136	03.18-10.23	■	
sDrive18i (B38 A15 A)		Gasolina	FWD	1499	100	136	03.18-10.23	■	
sDrive18i (B38 A15 A)		Gasolina	FWD	1499	103	140	03.18-10.23	■	
sDrive20i (B48 A20 A)	discØ 330, Syst. Standard, not M technique	Gasolina	FWD	1998	131	178	11.20-10.23	■	
sDrive20i (B48 A20 F)	discØ 330, Syst. Standard, not M technique	Gasolina	FWD	1998	131	178	11.20-10.23	■	
xDrive20i (B48 A20 A)	discØ 330, Syst. Standard, not M technique	Gasolina	4WD	1998	131	178	11.20-10.23	■	
sDrive20i (B42 S20 A)		Gasolina	FWD	1998	141	192	11.17-10.23	■	
sDrive20i (B48 A20 A)		Gasolina	FWD	1998	141	192	11.17-10.23	■	
xDrive20i (B48 A20 A)		Gasolina	4WD	1998	141	192	03.18-10.23	■	
sDrive28i (B46 A20 B)		Gasolina	FWD	1998	170	231	03.18-	■	
xDrive28i (B46 A20 B)		Gasolina	4WD	1998	170	231	11.17-	■	
sDrive 18 i ActiveFlex (B32 S15 A)	not M technique	Gasol./Etanol	FWD	1499	100	136	07.18-	■	
sDrive 20 i ActiveFlex (B42 S20 A)		Gasol./Etanol	FWD	1998	141	192	07.18-	■	
xDrive 25 e Plug-in-Hybrid (B38 A15 A)	discØ 330	Gasol./eléc.	4WD	1499	92	125	03.20-	■	
xDrive 25 e Plug-in-Hybrid (B38 A15 A)	discØ 330	Gasol./eléc.	4WD	1499	162	220	03.20-10.23	■	
sDrive 18 d (B47 C20 A)		Diesel	FWD	1995	100	136	03.18-10.23	■	
sDrive 18 d (B47 C20 B)		Diesel	FWD	1995	100	136	03.18-10.23	■	
xDrive 18 d (B47 C20 B)		Diesel	4WD	1995	100	136	03.18-10.23	■	
sDrive 18 d (B47 C20 A)		Diesel	FWD	1995	110	150	03.18-10.23	■	
sDrive 18 d (B47 C20 B)		Diesel	FWD	1995	110	150	03.18-10.23	■	
xDrive 18 d (B47 C20 B)		Diesel	4WD	1995	110	150	03.18-10.23	■	
sDrive 20 d (B47 C20 A)	discØ 294, discØ 330, Syst. Standard, not M technique	Diesel	FWD	1995	120	163	11.18-10.23	■	
sDrive 20 d (B47 C20 B)	discØ 294, discØ 330, Syst. Standard, not M technique	Diesel	FWD	1995	120	163	11.18-10.23	■	
xDrive 20 d (B47 C20 A)		Diesel	4WD	1995	120	163	11.17-10.23	■	
xDrive 20 d (B47 C20 B)		Diesel	4WD	1995	120	163	11.17-10.23	■	
sDrive 20 d (B47 C20 A)	discØ 294, discØ 330, not M technique, Syst. Standard	Diesel	FWD	1995	140	190	11.18-10.23	■	
sDrive 20 d (B47 C20 B)	discØ 294, discØ 330, not M technique, Syst. Standard	Diesel	FWD	1995	140	190	11.18-10.23	■	
xDrive 20 d (B47 C20 A)		Diesel	4WD	1995	140	190	11.17-10.23	■	
xDrive 20 d (B47 C20 B)		Diesel	4WD	1995	140	190	11.17-10.23	■	
xDrive 25 d (B47 C20 B)		Diesel	4WD	1995	170	231	11.17-09.23	■	

LISTA DE APLICACIONES - BUYERS GUIDE

X3 III (G01, F97, G08) 07.17-					SUV (Luxury Crossover SUV-J Segment)			
sDrive 20 i 1.6 (B48 B16 A)	Syst. Standard, not M technique	Gasolina	RWD	1597	125	170	12.17-	■
sDrive20i (B48 B20 A)	Syst. Standard, not M technique	Gasolina	RWD	1998	135	184	12.17-	■
sDrive20i (K20A9)	Syst. Standard, not M technique	Gasolina	RWD	1998	135	184	12.17-	■
xDrive20i (B48 B20 A)	not M technique	Gasolina	4WD	1998	135	184	12.17-	■
xDrive20i (B48 B20 B)	not M technique	Gasolina	4WD	1998	135	184	12.17-	■
xDrive 30 i (B48 B20 B)	discØ 330, SA S212A	Gasolina	4WD	1998	183	249	08.17-	■
sDrive 30 i	not M technique	Gasolina	RWD	1998	185	248	04.18-	■
xDrive 30 i (B46 B20 B)	not M technique	Gasolina	4WD	1998	185	252	08.17-	■
xDrive 30 i (B48 B20 B)	not M technique	Gasolina	4WD	1998	185	252	08.17-	■
xDrive 30e Plug-in-Hybrid (B46 B20 B)	discØ 330, SA S212A	Gasol./el éc.	4WD	1998	120	163	12.19-	■
xDrive 30e Plug-in-Hybrid (B48 B20 A)	discØ 330, SA S212A	Gasol./el éc.	4WD	1998	120	163	12.19-	■
xDrive 30e Plug-in-Hybrid (B46 B20 B)	discØ 330, SA S212A	Gasol./el éc.	4WD	1998	135	184	12.19-	■
xDrive 30e Plug-in-Hybrid (B48 B20 A)	discØ 330, SA S212A	Gasol./el éc.	4WD	1998	135	184	12.19-	■
xDrive 30 i Mild Hybrid		Gasol./el éc.	4WD	1998	180	245	08.21-	■
xDrive 30e Plug-in-Hybrid		Gasol./el éc.	4WD	1998	200	272	01.23-	■
xDrive 30e Plug-in-Hybrid (B46 B20 B)	discØ 330, SA S212A	Gasol./el éc.	4WD	1998	215	292	12.19-	■
xDrive 30e Plug-in-Hybrid (B48 B20 A)	discØ 330, SA S212A	Gasol./el éc.	4WD	1998	215	292	12.19-	■
xDrive 30e Plug-in-Hybrid (B46 B20 B)	discØ 330, SA S212A	Gasol./el éc.	4WD	1998	215	292	12.19-	■
xDrive 30e Plug-in-Hybrid (B48 B20 A)	discØ 330, SA S212A	Gasol./el éc.	4WD	1998	215	292	12.19-	■
sDrive 18 d Mild-Hybrid (B47 D20 B)	discØ 330, Syst. Standard, not M technique	Diesel/el éc.	RWD	1995	100	136	07.20-	■
sDrive 18 d Mild-Hybrid (JA1)	discØ 330, Syst. Standard, not M technique	Diesel/el éc.	RWD	1995	100	136	07.20-	■
sDrive 18 d Mild-Hybrid (B47 D20 B)	discØ 330, Syst. Standard, not M technique	Diesel/el éc.	RWD	1995	110	150	07.20-	■
sDrive 18 d Mild-Hybrid (JA1)	discØ 330, Syst. Standard, not M technique	Diesel/el éc.	RWD	1995	110	150	07.20-	■
xDrive 20 d Mild-Hybrid (B47 D20 B)	discØ 330, Syst. Standard, not M technique	Diesel/el éc.	4WD	1995	120	163	04.20-	■
xDrive 20 d Mild-Hybrid (JA1)	discØ 330, Syst. Standard, not M technique	Diesel/el éc.	4WD	1995	120	163	04.20-	■
xDrive 20 d Mild-Hybrid (B47 D20 B)	discØ 330, Syst. Standard, not M technique	Diesel/el éc.	4WD	1995	140	190	04.20-	■
xDrive 20 d Mild-Hybrid (JA1)	discØ 330, Syst. Standard, not M technique	Diesel/el éc.	4WD	1995	140	190	04.20-	■
sDrive 18 d (B47 D20 A)	not M technique, Syst. Standard	Diesel	RWD	1995	100	136	04.18-06.20	■
sDrive 18 d (B47 D20 B)	not M technique, Syst. Standard	Diesel	RWD	1995	100	136	04.18-06.20	■
sDrive 18 d (B47 D20 A)	Syst. Standard, not M technique	Diesel	RWD	1995	110	150	04.18-06.20	■
sDrive 18 d (B47 D20 B)	Syst. Standard, not M technique	Diesel	RWD	1995	110	150	04.18-06.20	■
xDrive 20 d (B47 D20 A)	not M technique	Diesel	4WD	1995	120	163	08.17-03.20	■
xDrive 20 d (B47 D20 B)	not M technique	Diesel	4WD	1995	120	163	08.17-03.20	■
xDrive 20 d (B47 D20 A)	not M technique	Diesel	4WD	1995	140	190	08.17-03.20	■
xDrive 20 d (B47 D20 B)	not M technique	Diesel	4WD	1995	140	190	08.17-03.20	■
X3 III Van (G01) 07.17-					SUV Van (Luxury Crossover SUV-J Segment)			
xDrive20i (B48 B20 A)	not M technique	Gasolina	4WD	1998	135	184	12.17-	■
xDrive20i (B48 B20 B)	not M technique	Gasolina	4WD	1998	135	184	12.17-	■

LISTA DE APLICACIONES - BUYERS GUIDE

xDrive 30 i (B48 B20 B)	not M technique	Gasolina	4WD	1998	185	252	08.17-	■	
sDrive 18 d (B47 D20 A)	Syst. Standard, not M technique	Diesel	RWD	1995	110	150	04.18-	■	
sDrive 18 d (B47 D20 B)	Syst. Standard, not M technique	Diesel	RWD	1995	110	150	04.18-	■	
xDrive 20 d (B47 D20 A)	not M technique	Diesel	4WD	1995	140	190	08.17-	■	
xDrive 20 d (B47 D20 B)	not M technique	Diesel	4WD	1995	140	190	08.17-	■	
X4 II (G02, F98) 04.18-					SUV (Luxury Crossover SUV-J Segment)				
xDrive20i (B48 B20 A)	discØ 330, Syst. Standard, not M technique	Gasolina	4WD	1998	135	184	04.18-	■	
xDrive 30 i (B48 B20 B)	Syst. Standard, discØ 330	Gasolina	4WD	1998	183	249	04.18-	■	
xDrive 30 i (B46 B20 B)	discØ 330, Syst. Standard, not M technique	Gasolina	4WD	1998	185	252	04.18-	■	
xDrive 30 i (B48 B20 B)	discØ 330, Syst. Standard, not M technique	Gasolina	4WD	1998	185	252	04.18-	■	
xDrive 20 i Mild Hybrid		Gasol./el éc.	4WD	1998	135	184	08.21-	■	
xDrive 30 i Mild Hybrid		Gasol./el éc.	4WD	1998	180	245	07.21-	■	
xDrive 20 d Mild-Hybrid (B47 D20 B)	Syst. Standard, discØ 330, not M technique	Diesel/el éc.	4WD	1995	120	163	04.20-	■	
xDrive 20 d Mild-Hybrid (JA1)	Syst. Standard, discØ 330, not M technique	Diesel/el éc.	4WD	1995	120	163	04.20-	■	
xDrive 20 d Mild-Hybrid (B47 D20 B)	Syst. Standard, discØ 330, not M technique	Diesel/el éc.	4WD	1995	140	190	04.20-	■	
xDrive 20 d Mild-Hybrid (JA1)	Syst. Standard, discØ 330, not M technique	Diesel/el éc.	4WD	1995	140	190	04.20-	■	
xDrive 20 d (B47 D20 A)	Syst. Standard, not M technique	Diesel	4WD	1995	120	163	04.18-03.20	■	
xDrive 20 d (B47 D20 A)	discØ 330, Syst. Standard, not M technique	Diesel	4WD	1995	140	190	04.18-03.20	■	
Z4 III (G29) 11.18-					Convertible (Sports car-S Segment)				
sDrive20i (B46 B20 B)	Syst. Standard, not M technique	Gasolina	RWD	1998	120	163	11.18-	■	
sDrive20i (B48 B20 B)	Syst. Standard, not M technique	Gasolina	RWD	1998	120	163	11.18-	■	
sDrive20i (B46 B20 B)	Syst. Standard, not M technique	Gasolina	RWD	1998	145	197	11.18-	■	
sDrive20i (B48 B20 B)	Syst. Standard, not M technique	Gasolina	RWD	1998	145	197	11.18-	■	
sDrive 30 i (B46 B20 B)	Syst. Standard, not M technique	Gasolina	RWD	1998	190	258	11.18-	■	
sDrive 30 i (B48 B20 B)	Syst. Standard, not M technique	Gasolina	RWD	1998	190	258	11.18-	■	
M40 i (B58 B30 C)		Gasolina	RWD	2998	250	340	11.18-	■	
BMW (BRILLIANCE)									
1 SERIES (F52) 01.17-					Saloon (Compact car-C Segment)				
120 i (B38 A15 C)		Gasolina	FWD	1499	103	140	09.19-	■	
125 i (B48 A20 D)		Gasolina	FWD	1998	170	231	01.17-	■	
120 i (B48 A20 B,B48 A20 C)		Gasolina	FWD	1998	192	141	01.17-	■	
2 SERIES Active Tourer (F45) 03.16-					MPV (Compact car-C Segment)				
218i (B38 A15 A,B38 A15 C)		Gasolina	FWD	1488	100	136	03.16-	■	
3 SERIES VII (G28, G20) 06.19-					Saloon (Compact executive car-D Segment)				
320i	not M technique	Gasolina	RWD	1998	115	156	11.19-	■	
330 Li	not M technique	Gasolina	RWD	1998	115	156	11.19-	■	
325i	not M technique	Gasolina	RWD	1998	135	184	06.19-	■	
325Li		Gasolina	RWD	1998	135	184	06.19-	■	
325 Li xDrive		Gasolina	4WD	1998	135	184	06.19-	■	

LISTA DE APLICACIONES - BUYERS GUIDE

5 SERIES VII (G38) 06.17-					Saloon (Executive car-E Segment)			
525 Li (B48 B20 C)		Gasolina	RWD	1998	135	184	03.18-	■
X1 II (F49) 05.16-					SUV (Compact SUV-J Segment)			
sDrive18 Li	discØ 307	Gasolina	FWD	1499	100	136	05.16-	■
sDrive20 Li (B38 A15 C)		Gasolina	FWD	1499	103	140	10.19-	■
sDrive20 Li	discØ 330	Gasolina	FWD	1998	141	192	05.16-	■
sDrive25 i (B48 A20 C)		Gasolina	FWD	1998	141	192	10.19-	■
sDrive25 Li (B48 A20 C)		Gasolina	FWD	1998	141	192	10.19-	■
xDrive20 Li	discØ 330	Gasolina	FWD	1998	141	192	05.16-	■
xDrive25 Le xDrive (B48 A20 C)		Gasolina	4WD	1998	141	192	10.19-	■
xDrive25 Li	discØ 330	Gasolina	FWD	1998	170	231	05.16-	■
xDrive25 Le (B38 A15 C)		Eléctrico	4WD	1499	100	136	09.16-	■
xDrive25 Le xDrive (B38 A15 C)		Eléctrico	4WD	1499	100	136	10.19-	■
xDrive25 Le (B38 A15 C, IA1XB2H)		Eléctrico	4WD	1499	170	231	09.16-	■
X2 (F39) 10.19-					SUV (Compact SUV-J Segment)			
sDrive20i (B38 A15 C)		Gasolina	FWD	1499	103	140	10.19-	■
xDrive25 i xDrive (B48 A20 C)		Gasolina	4WD	1998	141	192	10.19-	■
X3 (G08) 04.18-					SUV (Luxury Crossover SUV-J Segment)			
25 i xDrive (B48 B20 C)		Gasolina	4WD	1998	135	184	04.18-	■
28 i xDrive (B48 B20 D)		Gasolina	4WD	1998	165	224	07.18-	■
30 i xDrive (B48 B20 D)		Gasolina	4WD	1998	185	252	04.18-	■
MINI								
MINI (F57) 11.14-					Convertible (Supermini car-B Segment)			
Cooper S (B48 A20 A)	discØ 294, Syst. Standard	Gasolina	FWD	1998	131	178	11.20-	■
Cooper S (B48 A20 F)	discØ 294, Syst. Standard	Gasolina	FWD	1998	131	178	11.20-	■
MINI (F55) 09.13-					Hatchback (Supermini car-B Segment)			
Cooper S (B48 A20 A)	discØ 307	Gasolina	FWD	1998	131	178	11.20-	■
Cooper S (B48 A20 F)	discØ 307	Gasolina	FWD	1998	131	178	11.20-	■
Cooper S (B48 A20 A)	discØ 307	Gasolina	FWD	1998	131	178	11.20-	■
Cooper S (B48 A20 F)	discØ 307	Gasolina	FWD	1998	131	178	11.20-	■
MINI CLUBMAN II (F54) 11.14-					Estate (Supermini car-B Segment)			
Cooper S (B48 A20 A)	discØ 307, Syst. Standard	Gasolina	FWD	1998	120	163	11.14-	■
Cooper S (B48 A20 F)	discØ 307, Syst. Standard	Gasolina	FWD	1998	120	163	11.14-	■
Cooper S ALL4 (B48 A20 A)	discØ 307, Syst. Standard	Gasolina	4WD	1998	120	163	04.15-	■
Cooper S (B46 A20 A)	discØ 307, Syst. Standard	Gasolina	FWD	1998	131	178	11.20-	■
Cooper S (B48 A20 F)	discØ 307, Syst. Standard	Gasolina	FWD	1998	131	178	11.20-	■
Cooper S ALL4 (B46 A20 A)	discØ 307	Gasolina	4WD	1998	131	178	11.20-	■
Cooper S ALL4 (B48 A20 F)	discØ 307	Gasolina	4WD	1998	131	178	11.20-	■
Cooper S (B46 A20 A)	discØ 307, Syst. Standard	Gasolina	FWD	1998	141	192	11.14-	■
Cooper S (B48 A20 A)	discØ 307, Syst. Standard	Gasolina	FWD	1998	141	192	11.14-	■
Cooper S (B48 A20 F)	discØ 307, Syst. Standard	Gasolina	FWD	1998	141	192	11.14-	■
Cooper S ALL4 (B48 A20 A)	discØ 307, Syst. Standard	Gasolina	4WD	1998	141	192	03.16-01.24	■
Cooper S JCW (B46 A20 A)	discØ 307, Syst. Standard	Gasolina	FWD	1998	155	211	11.14-06.18	■
Cooper S JCW (B48 A20 A)	discØ 307, Syst. Standard	Gasolina	FWD	1998	155	211	11.14-06.18	■
Cooper S JCW (B48 A20 F)	discØ 307, Syst. Standard	Gasolina	FWD	1998	155	211	11.14-06.18	■
Cooper S JCW ALL4 (B48 A20 A)	discØ 307, Syst. Standard	Gasolina	4WD	1998	155	211	11.14-	■
Cooper D (B47 C20 A)	discØ 307, Syst. Standard	Diesel	FWD	1995	100	136	12.14-07.19	■
Cooper D (B47 C20 B)	discØ 307, Syst. Standard	Diesel	FWD	1995	100	136	12.14-07.19	■

LISTA DE APLICACIONES - BUYERS GUIDE

Cooper D (B47 C20 A)	discØ 307, Syst. Standard	Diesel	FWD	1995	110	150	07.15-02.24	■	
Cooper D (B47 C20 B)	discØ 307, Syst. Standard	Diesel	FWD	1995	110	150	07.15-02.24	■	
Cooper SD (B47 C20 A)	discØ 307, Syst. Standard	Diesel	FWD	1995	120	163	02.15-07.19	■	
Cooper SD (B47 C20 B)	discØ 307, Syst. Standard	Diesel	FWD	1995	120	163	02.15-07.19	■	
Cooper SD ALL4 (B47 C20 A)	discØ 307, Syst. Standard	Diesel	4WD	1995	120	163	04.15-07.19	■	
Cooper SD ALL4 (B47 C20 B)	discØ 307, Syst. Standard	Diesel	4WD	1995	120	163	04.15-07.19	■	
Cooper SD (B47 C20 A)	discØ 307, Syst. Standard	Diesel	FWD	1995	140	190	02.15-01.24	■	
Cooper SD (B47 C20 B)	discØ 307, Syst. Standard	Diesel	FWD	1995	140	190	02.15-01.24	■	
Cooper SD ALL4 (B47 C20 A)	discØ 307, Syst. Standard	Diesel	4WD	1995	140	190	03.16-01.24	■	
Cooper SD ALL4 (B47 C20 B)	discØ 307, Syst. Standard	Diesel	4WD	1995	140	190	03.16-01.24	■	
MINI COUNTRYMAN II (F60) 10.16-					Estate (Supermini car-B Segment)				
Cooper (B36 A15 A)	discØ 307	Gasolina	FWD	1499	100	136	10.16-	■	
Cooper (B38 A15 A)	discØ 307	Gasolina	FWD	1499	100	136	10.16-	■	
Cooper (B38 A15 F)	discØ 307	Gasolina	FWD	1499	100	136	10.16-	■	
Cooper ALL4 (B38 A15 A)	discØ 307	Gasolina	4WD	1499	100	136	10.16-	■	
Cooper ALL4 (B38 A15 F)	discØ 307	Gasolina	4WD	1499	100	136	10.16-	■	
Cooper S (B46 A20 A)	discØ 330	Gasolina	FWD	1998	120	163	10.16-	■	
Cooper S (B48 A20 A)	discØ 330	Gasolina	FWD	1998	120	163	10.16-	■	
Cooper S ALL4 (B46 A20 A)	discØ 330	Gasolina	4WD	1998	120	163	10.16-	■	
Cooper S ALL4 (B48 A20 A)	discØ 330	Gasolina	4WD	1998	120	163	10.16-	■	
Cooper S (B46 A20 A)	discØ 330	Gasolina	FWD	1998	131	178	07.20-	■	
Cooper S (B48 A20 A)	discØ 330	Gasolina	FWD	1998	131	178	07.20-	■	
Cooper S (B48 A20 F)	discØ 330	Gasolina	FWD	1998	131	178	07.20-	■	
Cooper S ALL4 (B46 A20 A)	discØ 330	Gasolina	4WD	1998	131	178	07.20-	■	
Cooper S ALL4 (B48 A20 A)	discØ 330	Gasolina	4WD	1998	131	178	07.20-	■	
Cooper S ALL4 (B48 A20 F)	discØ 330	Gasolina	4WD	1998	131	178	07.20-	■	
Cooper S (B46 A20 A)	discØ 330	Gasolina	FWD	1998	141	192	10.16-	■	
Cooper S (B48 A20 A)	discØ 330	Gasolina	FWD	1998	141	192	10.16-	■	
Cooper S ALL4 (B46 A20 A)	discØ 330	Gasolina	4WD	1998	141	192	10.16-	■	
Cooper S ALL4 (B48 A20 A)	discØ 330	Gasolina	4WD	1998	141	192	10.16-	■	
John Cooper Works ALL4 (B48 A20 E)		Gasolina	4WD	1998	200	272	11.19-	■	
Cooper SE ALL4 (B38 A15 A)	discØ 330	Gasol./el éc.	4WD	1499	92	125	07.20-	■	
Cooper SE ALL4 (IA1)	discØ 330	Gasol./el éc.	4WD	1499	92	125	07.20-	■	
Cooper SE ALL4 (B38 A15 A)	discØ 330	Gasol./el éc.	4WD	1499	100	136	01.17-	■	
Cooper SE ALL4 (IA1)	discØ 330	Gasol./el éc.	4WD	1499	100	136	01.17-	■	
Cooper SE (B38 A15 A)	discØ 330	Gasol./el éc.	4WD	1499	162	220	07.20-	■	
Cooper SE (IA1)	discØ 330	Gasol./el éc.	4WD	1499	162	220	07.20-	■	
Cooper SE ALL4 (B38 A15 A)	discØ 330	Gasol./el éc.	4WD	1499	165	224	01.17-	■	
Cooper SE ALL4 (IA1)	discØ 330	Gasol./el éc.	4WD	1499	165	224	01.17-	■	
Cooper D (B47 C20 A)	discØ 307	Diesel	FWD	1995	100	136	10.16-	■	
Cooper D (B47 C20 B)	discØ 307	Diesel	FWD	1995	100	136	10.16-	■	
Cooper D ALL4 (B47 C20 A)	discØ 307	Diesel	4WD	1995	100	136	10.16-	■	
Cooper D ALL4 (B47 C20 B)	discØ 307	Diesel	4WD	1995	100	136	10.16-	■	
Cooper D (B47 C20 A)	discØ 307	Diesel	FWD	1995	110	150	10.16-	■	
Cooper D (B47 C20 B)	discØ 307	Diesel	FWD	1995	110	150	10.16-	■	
Cooper D ALL4 (B47 C20 A)	discØ 307	Diesel	4WD	1995	110	150	10.16-	■	
Cooper D ALL4 (B47 C20 B)	discØ 307	Diesel	4WD	1995	110	150	10.16-	■	

LISTA DE APLICACIONES - BUYERS GUIDE

Cooper SD (B47 C20 A)	discØ 330	Diesel	FWD	1995	120	163	10.16-	■
Cooper SD (B47 C20 B)	discØ 330	Diesel	FWD	1995	120	163	10.16-	■
Cooper SD ALL4 (B47 C20 A)	discØ 330	Diesel	4WD	1995	120	163	10.16-	■
Cooper SD ALL4 (B47 C20 B)	discØ 330	Diesel	4WD	1995	120	163	10.16-	■
Cooper SD (B47 C20 A)	discØ 330	Diesel	FWD	1995	140	190	10.16-	■
Cooper SD (B47 C20 B)	discØ 330	Diesel	FWD	1995	140	190	10.16-	■
Cooper SD ALL4 (B47 C20 A)	discØ 330	Diesel	4WD	1995	140	190	10.16-	■
Cooper SD ALL4 (B47 C20 B)	discØ 330	Diesel	4WD	1995	140	190	10.16-	■
TOYOTA								
SUPRA V (DB_) 03.19-					Coupe (Grand Tourer-S Segment)			
2.0 (DB82, DB81, DB86) (B48L)		Gasolina	RWD	1998	145	197	06.19-	■
2.0 (DB21, DB22, DB23, DB26) (B46H)		Gasolina	RWD	1998	190	258	06.19-	■
2.0 (DB21, DB22, DB23, DB26) (B48H)		Gasolina	RWD	1998	190	258	06.19-	■
ZINORO								
60H 07.16-					SUV ()			
Hybrid (M13) (B38 A15 C, IA1XB2H)		Eléctrico	4WD	1499	100	136	07.16-	■