

# LISTA DE APLICACIONES - BUYERS GUIDE

## 182226

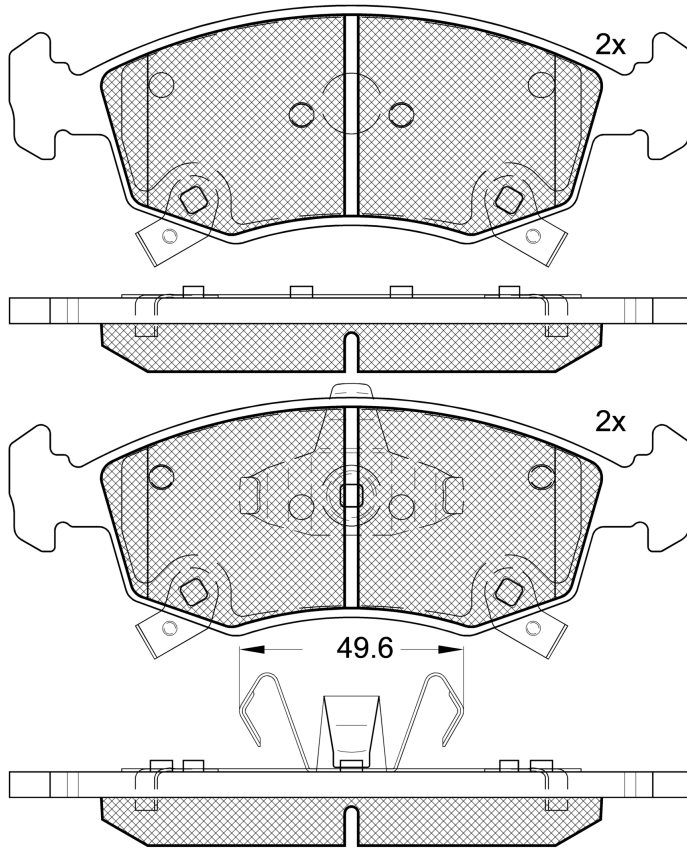


8 424073 110602

Qty: 300

Weight: 1.450

O.E.M.	MAKE
6 817 415 7AA	FIAT
6 817 415 7AB	FIAT
K6817-4157-AB	FIAT



## 182226

E 9 90R-02A0111/4373



Ate - Teves

151.4x52.7x17

WVA	FMSI
22455	D1720-8944
22456	
MAKE	
FIAT	



Trac.	CC	Kw	CV
-------	----	----	----



Front / Rear

**FIAT**

**500 II (312\_) 07.07-**

**Hatchback (City car-A Segment)**

Electric (EV) (E99)	Eléctrico	FWD	83	113	09.12-	■
---------------------	-----------	-----	----	-----	--------	---