

LISTA DE APLICACIONES - BUYERS GUIDE

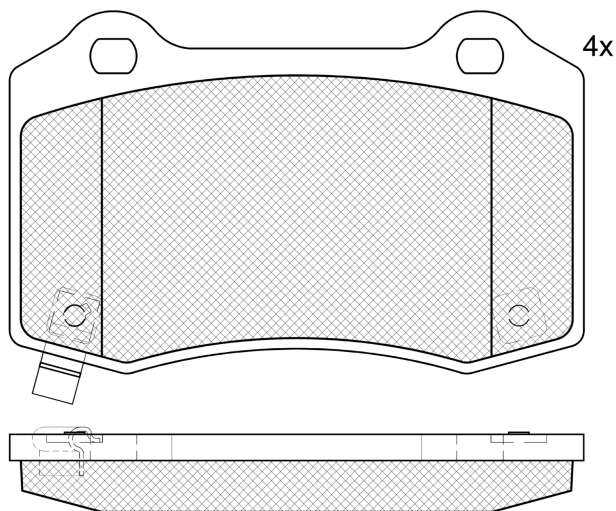
182230-208



Qty: 300

Weight: 1.565

O.E.M.	MAKE
068003610AB	JEEP
68003610AA	JEEP
68003610AB	JEEP
68034993AA	JEEP
68144223AA	CHRYSLER
68144223AB	CHRYSLER



182230-208

E 9 90R-02A0111/4432



Brembo

109.7x69.2x15.4

VVA	FMSI
24076	D1053-8805 D1270-7831

MAKE
CHEVROLET
CHRYSLER
DODGE
JEEP
Tesla



Trac.	CC	Kw	CV
-------	----	----	----



Front / Rear

CHEVROLET

CAMARO V 01.11-							Convertible (Pony car-F Segment)		
6.2 (L99(376CUV8))		Gasolina	RWD	6162	298	405	01.11-		■
6.2 (LS3(376CUV8))		Gasolina	RWD	6162	318	432	01.11-		■
CAMARO V 02.09-12.15							Coupe (Pony car-F Segment)		
3.6 (LLT)		Gasolina	RWD	3564	224	305	09.09-12.10		■
3.6 (LLT)		Gasolina	RWD	3564	232	316	01.11-12.15		■
3.6 (LFX)		Gasolina	RWD	3564	241	328	09.11-12.15		■
6.2 (L99(376CUV8))		Gasolina	RWD	6162	298	405	09.09-12.15		■
6.2 (LS3(376CUV8))		Gasolina	RWD	6162	318	432	09.09-12.15		■
6.2 ZL1 (LSA)		Gasolina	RWD	6162	432	588	09.12-12.15		■

CHRYSLER

300 C (LX, LE) 09.04-							Saloon (Luxury car-F Segment)		
2.7 (EES)		Gasolina	RWD	2736	130	177	01.07-11.12		■
2.7 (EER)		Gasolina	RWD	2736	142	193	09.04-12.12		■
3.5 (EGG)		Gasolina	RWD	3518	183	249	09.04-11.12		■
5.7 (EZB)		Gasolina	RWD	5654	250	340	09.04-12.08		■
5.7 (EZD)		Gasolina	RWD	5654	250	340	09.04-12.08		■
5.7 (EZH)		Gasolina	RWD	5654	250	340	09.04-12.08		■
6.1 SRT8 (ESF)		Gasolina	RWD	6059	317	431	06.05-11.12		■
3.0 V6 CRD (EXL)		Diesel	RWD	2987	155	211	11.10-11.12		■
3.0 CRD (EXL)		Diesel	RWD	2987	160	218	09.05-11.12		■
300 C II (LX) 09.10-							Saloon (Luxury car-F Segment)		
3.6 (ERB)		Gasolina	RWD	3604	210	286	09.11-08.19		■

LISTA DE APLICACIONES - BUYERS GUIDE

3.6 (ERB)	BR4	Gasolina	RWD	3604	215	292	07.11-12.23	■
3.6	BR4	Gasolina	RWD	3604	216	294	04.15-12.23	■
3.6 (ERB)	BR4	Gasolina	RWD	3604	218	296	01.11-12.23	■
3.0 CRD (EXF)		Diesel	RWD	2987	176	239	09.11-12.23	■
300 C Touring (LX, LE) 09.04-12.10				Estate (Luxury car-F Segment)				
2.7 (EES)		Gasolina	RWD	2736	130	177	01.07-12.10	■
2.7 (EER)		Gasolina	RWD	2736	142	193	09.04-12.10	■
3.5 (EGG)		Gasolina	RWD	3518	183	249	09.04-12.10	■
3.5 AWD (EGG)		Gasolina	4WD	3518	183	249	09.04-12.10	■
5.7 (EZB)		Gasolina	RWD	5654	250	340	09.04-12.10	■
5.7 (EZD)		Gasolina	RWD	5654	250	340	09.04-12.10	■
5.7 (EZH)		Gasolina	RWD	5654	250	340	09.04-12.10	■
5.7 AWD (EZB)		Gasolina	4WD	5654	250	340	04.05-12.10	■
5.7 AWD (EZH)		Gasolina	4WD	5654	250	340	04.05-12.10	■
6.1 SRT8 (ESF)		Gasolina	RWD	6059	317	431	06.05-12.10	■
3.0 CRD (EXL)		Diesel	RWD	2987	160	218	09.05-12.10	■
DODGE								
CHALLENGER III 09.07-				Coupe (Supermini car-B Segment)				
6.2 SRT Hellcat (ESD)		Gasolina	RWD	6166	527	717	09.14-	■
6.4 SRT8 (ESH)		Gasolina	RWD	6417	346	471	08.11-	■
6.4 SRT8 (ESG)		Gasolina	RWD	6417	351	477	01.11-	■
6.4 (ESG)		Gasolina	RWD	6417	362	492	09.14-	■
6.4 (ESH)		Gasolina	RWD	6417	362	492	09.14-	■
CHARGER VI 06.05-12.10				Saloon (Luxury car-F Segment)				
6.1 SRT8 (ESF)		Gasolina	RWD	6059	317	431	09.05-12.10	■
CHARGER VII 09.10-				Saloon (Luxury car-F Segment)				
6.4 SRT8 (ESG)		Gasolina	RWD	6417	351	477	09.11-	■
JEEP								
GRAND CHEROKEE III (WH, WK) 10.04-12.11				Closed Off-Road Vehicle (Luxury Crossover SUV-J Segment)				
3.7 V6 4x4 (EKG)		Gasolina	4WD	3700	148	201	01.08-12.10	■
4.7 V8 4x4 (EVA)		Gasolina	4WD	4701	164	223	06.05-12.10	■
4.7 V8 (EVA)		Gasolina	RWD	4701	167	227	10.04-05.10	■
4.7 V8 (EVE)		Gasolina	RWD	4701	167	227	10.04-05.10	■
4.7 V8 4x4 (EVE)		Gasolina	4WD	4701	167	227	10.07-05.10	■
4.7 V8 4x4 (EVA)		Gasolina	4WD	4701	170	231	06.05-12.10	■
4.7 V8 4x4 (EVA)		Gasolina	4WD	4701	223	303	09.07-02.10	■
4.7 V8 4x4 (EVE)		Gasolina	4WD	4701	223	303	09.07-02.10	■
5.7 (EZB)		Gasolina	RWD	5654	240	326	06.05-12.08	■
5.7 V8 4x4 (EZB)		Gasolina	4WD	5654	240	326	06.05-12.10	■
5.7 V8 4x4 (EZD)		Gasolina	4WD	5654	259	352	01.09-12.10	■
5.7 V8 4x4 (EZH)		Gasolina	4WD	5654	259	352	01.09-12.10	■
6.1 SRT8 4x4 (ESF)		Gasolina	4WD	6059	313	426	03.06-12.10	■
6.1 SRT8 RWD (ESF)		Gasolina	RWD	6059	313	426	03.06-05.10	■
4.7 V8 FLEX (EVA)		Gasol./Etanol	RWD	4701	167	227	10.04-05.10	■
4.7 V8 FLEX (EVD)		Gasol./Etanol	RWD	4701	167	227	10.04-05.10	■
4.7 V8 FLEX (EVE)		Gasol./Etanol	RWD	4701	167	227	10.04-05.10	■
Tesla								

LISTA DE APLICACIONES - BUYERS GUIDE

MODEL S 09.12-					Hatchback (Luxury car-F Segment)			
90		Eléctrico	RWD		270	367	09.12-02.16	■
MODEL X 09.13-					Hatchback (Luxury Crossover SUV-J Segment)			
EV AWD		Eléctrico	4WD		421	573	09.19-04.26	■
EV AWD (3D1, 3D8)		Eléctrico	4WD		493	670	01.21-04.26	■
EV AWD		Eléctrico	4WD		599	815	09.20-04.26	■
Plaid AWD		Eléctrico	4WD		750	1020	01.21-04.26	■