

LISTA DE APLICACIONES - BUYERS GUIDE

182231

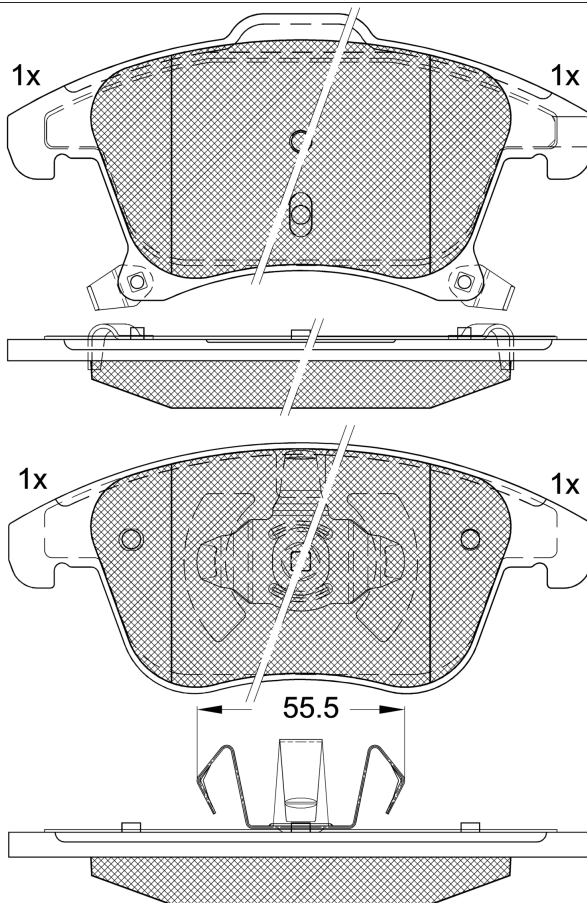


8 424073 110732

Qty: 300

Weight: 2.135

O.E.M.	MAKE
1 717 494	FORD
1 860 105	FORD
1 917 494	FORD
2 014 119	FORD
2 289 501	FORD
5 182 149	FORD
5 601 729	RENAULT
BRF-1533	FORD
BRF-33	FORD
DG9C-2001-AB	FORD
DG9C-2001-BB	LINCOLN
DG9C-2001-BF	RENAULT
DG9C-2K021-EC	FORD
DG9C-2K021-ED	FORD
DG9C-2K021-EE	FORD
DG9C-2K021-RC	FORD
DG9Z-2001-B	FORD
DG9Z-2001-G	FORD
DG9Z-2001-M	LINCOLN
HG9Z-2001-A	FORD
LG9Z-2001-A	FORD



182231



90R-02A0111/1682



Ate - Teves

155.2x66.6x19.9
155.8x76.1x19.9

WVA	FMSI
22269	D1653-8882
22270	
22985	
25591	
25592	

MAKE
FORD
FORD (CHANGAN)
FORD AUSTRALIA
FORD USA
LINCOLN



Trac.	CC	Kw	CV
-------	----	----	----



Front / Rear

FORD

GALAXY III (CK) 01.15-

MPV (Large MPV-M1 Segment)

Model	Rim	Disc	Syst.	Fuel	Trac.	CC	Kw	CV	Year	Icon
1.5 EcoBoost (UNCJ)	Rim 16	discØ 300	Syst. 16"	Gasolina	FWD	1499	118	160	01.15-06.18	■
1.5 EcoBoost (UNCK)	Rim 16	discØ 300	Syst. 16"	Gasolina	FWD	1499	118	160	01.15-06.18	■
1.5 EcoBoost				Gasolina	FWD	1499	121	165	07.18-04.23	■
2.0 EcoBoost (R9CD)	Rim 16	discØ 300	Syst. 16"	Gasolina	FWD	1999	176	240	01.15-04.23	■
2.0 EcoBoost (R9CI)	Rim 16	discØ 300	Syst. 16"	Gasolina	FWD	1999	176	240	01.15-04.23	■
2.5 FHEV				Gasol./el éc.	FWD	2488	140	190	07.21-04.23	■
2.0 EcoBlue (YNCA)	discØ 300			Diesel	FWD	1995	88	120	07.18-04.23	■
2.0 EcoBlue (YMCB)	discØ 300			Diesel	FWD	1995	110	150	07.18-04.23	■
2.0 EcoBlue 4x4 (YMCB)	discØ 300			Diesel	4WD	1995	110	150	07.18-04.23	■
2.0 EcoBlue (BCCC)	discØ 300			Diesel	FWD	1995	140	190	07.18-04.23	■
2.0 EcoBlue 4x4 (BCCC)	discØ 300			Diesel	4WD	1995	140	190	07.18-04.23	■
2.0 EcoBlue BI-Turbo (YLCB)	discØ 300			Diesel	FWD	1995	176	240	07.18-04.23	■
2.0 TDCi (UFCA)	Rim 16	discØ 300	Syst. 16"	Diesel	FWD	1997	88	120	01.15-06.18	■
2.0 TDCi (UFCB)	Rim 16	discØ 300	Syst. 16"	Diesel	FWD	1997	88	120	01.15-06.18	■
2.0 TDCi (T7CI)	Rim 16	discØ 300	Syst. 16"	Diesel	FWD	1997	110	150	01.15-06.18	■
2.0 TDCi (T7CJ)	Rim 16	discØ 300	Syst. 16"	Diesel	FWD	1997	110	150	01.15-06.18	■
2.0 TDCi (T7CK)	Rim 16	discØ 300	Syst. 16"	Diesel	FWD	1997	110	150	01.15-06.18	■
2.0 TDCi (T7CL)	Rim 16	discØ 300	Syst. 16"	Diesel	FWD	1997	110	150	01.15-06.18	■
2.0 TDCi 4x4 (T7CI)	Rim 16	discØ 300	Syst. 16"	Diesel	4WD	1997	110	150	05.15-06.18	■
2.0 TDCi 4x4 (T7CJ)	Rim 16	discØ 300	Syst. 16"	Diesel	4WD	1997	110	150	05.15-06.18	■
2.0 TDCi 4x4 (T7CL)	Rim 16	discØ 300	Syst. 16"	Diesel	4WD	1997	110	150	05.15-06.18	■
2.0 TDCi (T8CG)	Rim 16	discØ 300	Syst. 16"	Diesel	FWD	1997	132	180	01.15-06.18	■
2.0 TDCi (T8CH)	Rim 16	discØ 300	Syst. 16"	Diesel	FWD	1997	132	180	01.15-06.18	■

LISTA DE APLICACIONES - BUYERS GUIDE

2.0 TDCi (T8CI)	Rim 16, discØ 300, Syst. 16"	Diesel	FWD	1997	132	180	01.15-06.18	■
2.0 TDCi (T8CJ)	Rim 16, discØ 300, Syst. 16"	Diesel	FWD	1997	132	180	01.15-06.18	■
2.0 TDCi 4x4 (T8CG)	Rim 16, discØ 300, Syst. 16"	Diesel	4WD	1997	132	180	05.15-06.18	■
2.0 TDCi 4x4 (T8CH)	Rim 16, discØ 300, Syst. 16"	Diesel	4WD	1997	132	180	05.15-06.18	■
2.0 TDCi 4x4 (T8CI)	Rim 16, discØ 300, Syst. 16"	Diesel	4WD	1997	132	180	05.15-06.18	■
2.0 TDCi 4x4 (T8CJ)	Rim 16, discØ 300, Syst. 16"	Diesel	4WD	1997	132	180	05.15-06.18	■
2.0 TDCi Bi-Turbo (T9CB)	Rim 16, discØ 300, Syst. 16"	Diesel	FWD	1997	154	210	01.15-06.18	■
2.0 TDCi Bi-Turbo (T9CC)	Rim 16, discØ 300, Syst. 16"	Diesel	FWD	1997	154	210	01.15-06.18	■
GALAXY III Van (CK) 03.19-					Box Body/MPV (Large MPV-M1 Segment)			
2.0 EcoBlue (YMCB)	discØ 300	Diesel	FWD	1995	110	150	03.19-04.23	■
2.0 EcoBlue AWD (BCCC)	discØ 300	Diesel	4WD	1995	140	190	03.19-04.23	■
MONDEO V (CE) 09.14-					Hatchback (Large family car-D Segment)			
1.0 EcoBoost (M1CA)	discØ 300	Gasolina	FWD	998	92	125	02.15-03.22	■
1.0 EcoBoost (M1CB)	discØ 300	Gasolina	FWD	998	92	125	02.15-03.22	■
1.5 EcoBoost (UNCA)	-02/15, discØ 300	Gasolina	FWD	1499	118	160	09.14-03.22	■
1.5 EcoBoost (UNCB)	-02/15, discØ 300	Gasolina	FWD	1499	118	160	09.14-03.22	■
1.5 EcoBoost (UNCE)	-02/15, discØ 300	Gasolina	FWD	1499	118	160	09.14-03.22	■
1.5 EcoBoost (UNCF)	-02/15, discØ 300	Gasolina	FWD	1499	118	160	09.14-03.22	■
1.5 EcoBoost (UNCN)	discØ 300	Gasolina	FWD	1499	121	165	05.18-03.22	■
2.0 EcoBoost (TNCD)	-02/15, discØ 300	Gasolina	FWD	1999	149	203	09.14-03.22	■
2.0 EcoBoost (TNCF)	-02/15, discØ 300	Gasolina	FWD	1999	149	203	09.14-03.22	■
2.0 EcoBoost (R9CB)	-02/15, discØ 300	Gasolina	FWD	1999	176	240	09.14-03.22	■
2.0 EcoBoost (R9CF)	-02/15, discØ 300	Gasolina	FWD	1999	176	240	09.14-03.22	■
2.0 EcoBoost (R9CH)	-02/15, discØ 300	Gasolina	FWD	1999	176	240	09.14-03.22	■
1.5 TDCi (UGCC)	discØ 300	Diesel	FWD	1499	88	120	03.15-03.22	■
1.5 TDCi (XUCA)	discØ 300	Diesel	FWD	1499	88	120	03.15-03.22	■
1.6 TDCi (NGCA)	discØ 300	Diesel	FWD	1560	85	115	09.14-03.22	■
1.6 TDCi (U3CA)	discØ 300	Diesel	FWD	1560	85	115	09.14-03.22	■
2.0 EcoBlue (BCCD)	discØ 300	Diesel	FWD	1995	88	120	01.19-03.22	■
2.0 EcoBlue (YLCC)	discØ 300	Diesel	FWD	1995	110	150	01.19-03.22	■
2.0 EcoBlue (YMCC)	discØ 300	Diesel	FWD	1995	140	190	01.19-03.22	■
2.0 EcoBlue 4x4 (YMCC)	discØ 300	Diesel	4WD	1995	140	190	01.19-03.22	■
2.0 TDCi (T7CA)	discØ 300	Diesel	FWD	1998	110	150	09.14-03.22	■
2.0 TDCi (T7CC)	discØ 300	Diesel	FWD	1998	110	150	09.14-03.22	■
2.0 TDCi (T7CD)	discØ 300	Diesel	FWD	1998	110	150	09.14-03.22	■
2.0 TDCi (T7CE)	discØ 300	Diesel	FWD	1998	110	150	09.14-03.22	■
2.0 TDCi (T7CF)	discØ 300	Diesel	FWD	1998	110	150	09.14-03.22	■
2.0 TDCi (T7CN)	discØ 300	Diesel	FWD	1998	110	150	09.14-03.22	■
2.0 TDCi (T7CP)	discØ 300	Diesel	FWD	1998	110	150	09.14-03.22	■
2.0 TDCi (T7CQ)	discØ 300	Diesel	FWD	1998	110	150	09.14-03.22	■
2.0 TDCi 4x4 (T7CA)	discØ 300	Diesel	4WD	1998	110	150	02.15-03.22	■
2.0 TDCi 4x4 (T7CC)	discØ 300	Diesel	4WD	1998	110	150	02.15-03.22	■
2.0 TDCi 4x4 (T7CD)	discØ 300	Diesel	4WD	1998	110	150	02.15-03.22	■
2.0 TDCi 4x4 (T7CE)	discØ 300	Diesel	4WD	1998	110	150	02.15-03.22	■
2.0 TDCi 4x4 (T7CF)	discØ 300	Diesel	4WD	1998	110	150	02.15-03.22	■
2.0 TDCi 4x4 (T7CN)	discØ 300	Diesel	4WD	1998	110	150	02.15-03.22	■
2.0 TDCi 4x4 (T7CP)	discØ 300	Diesel	4WD	1998	110	150	02.15-03.22	■
2.0 TDCi 4x4 (T7CQ)	discØ 300	Diesel	4WD	1998	110	150	02.15-03.22	■
2.0 TDCi (T8CA)	discØ 300	Diesel	FWD	1998	132	180	09.14-03.22	■
2.0 TDCi (T8CC)	discØ 300	Diesel	FWD	1998	132	180	09.14-03.22	■

LISTA DE APLICACIONES - BUYERS GUIDE

2.0 TDCi (T8CD)	discØ 300	Diesel	FWD	1998	132	180	09.14-03.22	■	
2.0 TDCi (T8CL)	discØ 300	Diesel	FWD	1998	132	180	09.14-03.22	■	
2.0 TDCi 4x4 (T8CA)	discØ 300	Diesel	4WD	1998	132	180	02.15-03.22	■	
2.0 TDCi 4x4 (T8CB)	discØ 300	Diesel	4WD	1998	132	180	02.15-03.22	■	
2.0 TDCi 4x4 (T8CC)	discØ 300	Diesel	4WD	1998	132	180	02.15-03.22	■	
2.0 TDCi 4x4 (T8CD)	discØ 300	Diesel	4WD	1998	132	180	02.15-03.22	■	
2.0 TDCi 4x4 (T8CL)	discØ 300	Diesel	4WD	1998	132	180	02.15-03.22	■	
2.0 TDCi Bi-Turbo (T9CA)	discØ 300	Diesel	FWD	1998	154	210	03.15-03.22	■	
MONDEO V (CD) 09.12-							Saloon (Large family car-D Segment)		
1.0 EcoBoost (M1CA)	discØ 300	Gasolina	FWD	998	92	125	02.15-03.22	■	
1.0 EcoBoost (M1CB)	discØ 300	Gasolina	FWD	998	92	125	02.15-03.22	■	
1.5 EcoBoost (UNCA)	discØ 300	Gasolina	FWD	1499	118	160	09.14-03.22	■	
1.5 EcoBoost (UNCB)	discØ 300	Gasolina	FWD	1499	118	160	09.14-03.22	■	
1.5 EcoBoost (UNCE)	discØ 300	Gasolina	FWD	1499	118	160	09.14-03.22	■	
1.5 EcoBoost (UNCF)	discØ 300	Gasolina	FWD	1499	118	160	09.14-03.22	■	
1.5 EcoBoost (UNCN)	discØ 300	Gasolina	FWD	1499	121	165	01.19-03.22	■	
1.5		Gasolina	FWD	1499	133	181	09.13-03.22	■	
1.5		Gasolina	FWD	1499	135	184	08.16-03.22	■	
1.6		Gasolina	FWD	1596	133	181	09.12-03.22	■	
2.0 Flex		Gasolina	FWD	1999	131	178	10.13-	■	
2.0 EcoBoost (TNCC)	discØ 300	Gasolina	FWD	1999	146	199	05.15-03.22	■	
2.0 EcoBoost (TNCD)	discØ 300	Gasolina	FWD	1999	149	203	05.15-03.22	■	
2.0 EcoBoost (TNCF)	discØ 300	Gasolina	FWD	1999	149	203	05.15-03.22	■	
2.0 EcoBoost (R9CB)	discØ 300	Gasolina	FWD	1999	176	240	05.15-03.22	■	
2.0 EcoBoost (R9CF)	discØ 300	Gasolina	FWD	1999	176	240	05.15-03.22	■	
2.0 EcoBoost (R9CH)	discØ 300	Gasolina	FWD	1999	176	240	05.15-03.22	■	
2.0 EcoBoost 4x4 (R9CB,R9CF,R9CH)		Gasolina	4WD	1999	176	240	01.13-12.15	■	
2.0 EcoBoost	-02/15, Russia	Gasolina	FWD	1999	179	243	09.12-07.16	■	
2.0 EcoBoost 4x4		Gasolina	4WD	1999	179	243	09.12-07.16	■	
2.0		Gasolina	FWD	1999	183	249	08.16-03.22	■	
2.0 EcoBoost 4x4		Gasolina	4WD	1999	183	249	01.16-12.21	■	
2.5 Hybrid		Gasolina	FWD	2488	116	158	09.13-	■	
2.5		Gasolina	FWD	2488	125	170	05.15-03.22	■	
2.5		Gasolina	FWD	2488	126	171	12.16-03.22	■	
2.5		Gasolina	FWD	2488	127	173	09.12-03.22	■	
2.5		Gasolina	FWD	2488	130	177	09.13-	■	
2.5 4x4	01/17-	Gasolina	4WD	2488	130	177	09.12-03.22	■	
2.5 (S7CB)	discØ 300	Gasolina	FWD	2489	110	149	05.15-03.22	■	
2.7 EcoBoost		Gasolina	FWD	2694	242	329	09.16-03.22	■	
2.7 EcoBoost 4x4		Gasolina	4WD	2694	242	329	07.17-03.22	■	
2.5 Flex		Gasol./Etanol	FWD	2489	129	175	02.13-12.18	■	
2.0 Hybrid (UACA)	discØ 300	Gasol./eléc.	FWD	1999	103	140	10.14-	■	
2.0 Hybrid	-02/15, discØ 300	Gasol./eléc.	FWD	1999	130	177	09.14-03.22	■	
2.0 Hybrid	discØ 300	Gasol./eléc.	FWD	1999	138	188	01.19-03.22	■	
2.0 Hybrid	-02/15, discØ 300	Gasol./eléc.	FWD	1999	140	190	09.14-03.22	■	
2.0 Hybrid		Gasol./eléc.	FWD	1999	140	190	08.14-03.22	■	
1.5 TDCi (UGCC)	discØ 300	Diesel	FWD	1499	88	120	03.15-03.22	■	
1.5 TDCi (XUCA)	discØ 300	Diesel	FWD	1499	88	120	03.15-03.22	■	

LISTA DE APLICACIONES - BUYERS GUIDE

2.0 EcoBlue (BCCD)	discØ 300	Diesel	FWD	1995	88	120	01.19-03.22	■
2.0 EcoBlue (YLCC)	discØ 300	Diesel	FWD	1995	110	150	01.19-03.22	■
2.0 EcoBlue (YMCC)	discØ 300	Diesel	FWD	1995	140	190	01.19-03.22	■
2.0 EcoBlue 4x4 (YMCC)	discØ 300	Diesel	4WD	1995	140	190	01.19-03.22	■
2.0 TDCi (T7CA)	discØ 300	Diesel	FWD	1998	110	150	09.14-03.22	■
2.0 TDCi (T7CC)	discØ 300	Diesel	FWD	1998	110	150	09.14-03.22	■
2.0 TDCi (T7CD)	discØ 300	Diesel	FWD	1998	110	150	09.14-03.22	■
2.0 TDCi (T7CE)	discØ 300	Diesel	FWD	1998	110	150	09.14-03.22	■
2.0 TDCi (T7CF)	discØ 300	Diesel	FWD	1998	110	150	09.14-03.22	■
2.0 TDCi (T7CN)	discØ 300	Diesel	FWD	1998	110	150	09.14-03.22	■
2.0 TDCi (T7CP)	discØ 300	Diesel	FWD	1998	110	150	09.14-03.22	■
2.0 TDCi (T7CQ)	discØ 300	Diesel	FWD	1998	110	150	09.14-03.22	■
2.0 TDCi 4x4 (T7CA)	discØ 300	Diesel	4WD	1998	110	150	09.14-03.22	■
2.0 TDCi 4x4 (T7CC)	discØ 300	Diesel	4WD	1998	110	150	09.14-03.22	■
2.0 TDCi 4x4 (T7CD)	discØ 300	Diesel	4WD	1998	110	150	09.14-03.22	■
2.0 TDCi 4x4 (T7CE)	discØ 300	Diesel	4WD	1998	110	150	09.14-03.22	■
2.0 TDCi 4x4 (T7CF)	discØ 300	Diesel	4WD	1998	110	150	09.14-03.22	■
2.0 TDCi 4x4 (T7CN)	discØ 300	Diesel	4WD	1998	110	150	09.14-03.22	■
2.0 TDCi 4x4 (T7CP)	discØ 300	Diesel	4WD	1998	110	150	09.14-03.22	■
2.0 TDCi 4x4 (T7CQ)	discØ 300	Diesel	4WD	1998	110	150	09.14-03.22	■
2.0 TDCi (T8CA)	discØ 300	Diesel	FWD	1998	132	180	05.15-03.22	■
2.0 TDCi (T8CC)	discØ 300	Diesel	FWD	1998	132	180	05.15-03.22	■
2.0 TDCi (T8CD)	discØ 300	Diesel	FWD	1998	132	180	05.15-03.22	■
2.0 TDCi (T8CL)	discØ 300	Diesel	FWD	1998	132	180	05.15-03.22	■
2.0 TDCi 4x4 (T8CA)	discØ 300	Diesel	4WD	1998	132	180	05.15-03.22	■
2.0 TDCi 4x4 (T8CC)	discØ 300	Diesel	4WD	1998	132	180	05.15-03.22	■
2.0 TDCi 4x4 (T8CD)	discØ 300	Diesel	4WD	1998	132	180	05.15-03.22	■
2.0 TDCi 4x4 (T8CL)	discØ 300	Diesel	4WD	1998	132	180	05.15-03.22	■
2.0 TDCi Bi-Turbo (T9CA)	discØ 300	Diesel	FWD	1998	154	210	05.15-03.22	■
MONDEO V Turnier (CF) 09.14-					Estate (Large family car-D Segment)			
1.0 EcoBoost (M1CA)	discØ 300	Gasolina	FWD	998	92	125	02.15-03.22	■
1.0 EcoBoost (M1CB)	discØ 300	Gasolina	FWD	998	92	125	02.15-03.22	■
1.5 EcoBoost (UNCA)	-02/15, discØ 300	Gasolina	FWD	1499	118	160	09.14-03.22	■
1.5 EcoBoost (UNCB)	-02/15, discØ 300	Gasolina	FWD	1499	118	160	09.14-03.22	■
1.5 EcoBoost (UNCE)	-02/15, discØ 300	Gasolina	FWD	1499	118	160	09.14-03.22	■
1.5 EcoBoost (UNCF)	-02/15, discØ 300	Gasolina	FWD	1499	118	160	09.14-03.22	■
1.5 EcoBoost (UNCN)	discØ 300	Gasolina	FWD	1499	121	165	05.18-03.22	■
2.0 EcoBoost (TNCB)	-02/15, discØ 300	Gasolina	FWD	1999	149	203	09.14-03.22	■
2.0 EcoBoost (TNCD)	-02/15, discØ 300	Gasolina	FWD	1999	149	203	09.14-03.22	■
2.0 EcoBoost (TNCF)	-02/15, discØ 300	Gasolina	FWD	1999	149	203	09.14-03.22	■
2.0 EcoBoost (R9CB)	-02/15, discØ 300	Gasolina	FWD	1999	176	240	09.14-03.22	■
2.0 EcoBoost (R9CF)	-02/15, discØ 300	Gasolina	FWD	1999	176	240	09.14-03.22	■
2.0 EcoBoost (R9CH)	-02/15, discØ 300	Gasolina	FWD	1999	176	240	09.14-03.22	■
2.0 Hybrid (UACA)	discØ 300	Gasol./el éc.	FWD	1999	103	140	02.19-	■
2.0 Hybrid iVCT	discØ 300	Gasol./el éc.	FWD	1999	138	188	01.19-03.22	■
1.5 TDCi (UGCC)	discØ 300	Diesel	FWD	1499	88	120	03.15-03.22	■
1.5 TDCi (XUCA)	discØ 300	Diesel	FWD	1499	88	120	03.15-03.22	■
1.6 TDCi (NGCA)	discØ 300	Diesel	FWD	1560	85	115	09.14-03.22	■
1.6 TDCi (U3CA)	discØ 300	Diesel	FWD	1560	85	115	09.14-03.22	■
2.0 EcoBlue (BCCD)	discØ 300	Diesel	FWD	1995	88	120	01.19-03.22	■

LISTA DE APLICACIONES - BUYERS GUIDE

2.0 EcoBlue (YLCC)	discØ 300	Diesel	FWD	1995	110	150	01.19-03.22	■	
2.0 EcoBlue (YMCC)	discØ 300	Diesel	FWD	1995	140	190	01.19-03.22	■	
2.0 EcoBlue 4x4 (YMCC)	discØ 300	Diesel	4WD	1995	140	190	01.19-03.22	■	
2.0 TDCi (T7CA)	discØ 300	Diesel	FWD	1998	110	150	09.14-03.22	■	
2.0 TDCi (T7CC)	discØ 300	Diesel	FWD	1998	110	150	09.14-03.22	■	
2.0 TDCi (T7CD)	discØ 300	Diesel	FWD	1998	110	150	09.14-03.22	■	
2.0 TDCi (T7CE)	discØ 300	Diesel	FWD	1998	110	150	09.14-03.22	■	
2.0 TDCi (T7CF)	discØ 300	Diesel	FWD	1998	110	150	09.14-03.22	■	
2.0 TDCi (T7CN)	discØ 300	Diesel	FWD	1998	110	150	09.14-03.22	■	
2.0 TDCi (T7CP)	discØ 300	Diesel	FWD	1998	110	150	09.14-03.22	■	
2.0 TDCi (T7CQ)	discØ 300	Diesel	FWD	1998	110	150	09.14-03.22	■	
2.0 TDCi 4x4 (T7CA)	discØ 300	Diesel	4WD	1998	110	150	02.15-03.22	■	
2.0 TDCi 4x4 (T7CC)	discØ 300	Diesel	4WD	1998	110	150	02.15-03.22	■	
2.0 TDCi 4x4 (T7CD)	discØ 300	Diesel	4WD	1998	110	150	02.15-03.22	■	
2.0 TDCi 4x4 (T7CE)	discØ 300	Diesel	4WD	1998	110	150	02.15-03.22	■	
2.0 TDCi 4x4 (T7CF)	discØ 300	Diesel	4WD	1998	110	150	02.15-03.22	■	
2.0 TDCi 4x4 (T7CN)	discØ 300	Diesel	4WD	1998	110	150	02.15-03.22	■	
2.0 TDCi 4x4 (T7CP)	discØ 300	Diesel	4WD	1998	110	150	02.15-03.22	■	
2.0 TDCi 4x4 (T7CQ)	discØ 300	Diesel	4WD	1998	110	150	02.15-03.22	■	
2.0 TDCi (T8CA)	discØ 300	Diesel	FWD	1998	132	180	09.14-03.22	■	
2.0 TDCi (T8CB)	discØ 300	Diesel	FWD	1998	132	180	09.14-03.22	■	
2.0 TDCi (T8CC)	discØ 300	Diesel	FWD	1998	132	180	09.14-03.22	■	
2.0 TDCi (T8CD)	discØ 300	Diesel	FWD	1998	132	180	09.14-03.22	■	
2.0 TDCi (T8CL)	discØ 300	Diesel	FWD	1998	132	180	09.14-03.22	■	
2.0 TDCi 4x4 (T8CA)	discØ 300	Diesel	4WD	1998	132	180	02.15-03.22	■	
2.0 TDCi 4x4 (T8CB)	discØ 300	Diesel	4WD	1998	132	180	02.15-03.22	■	
2.0 TDCi 4x4 (T8CC)	discØ 300	Diesel	4WD	1998	132	180	02.15-03.22	■	
2.0 TDCi 4x4 (T8CD)	discØ 300	Diesel	4WD	1998	132	180	02.15-03.22	■	
2.0 TDCi 4x4 (T8CL)	discØ 300	Diesel	4WD	1998	132	180	02.15-03.22	■	
2.0 TDCi Bi-Turbo (T9CA)	discØ 300	Diesel	FWD	1998	154	210	03.15-03.22	■	
S-MAX II (CJ, WA6) 01.15-						MPV (Large MPV-M1 Segment)			
1.5 EcoBoost (UNCI)	Rim 16, discØ 300, Syst. 16"	Gasolina	FWD	1499	118	160	01.15-06.18	■	
1.5 EcoBoost (UNCJ)	Rim 16, discØ 300, Syst. 16"	Gasolina	FWD	1499	118	160	01.15-06.18	■	
1.5 EcoBoost (UNCK)	Rim 16, discØ 300, Syst. 16"	Gasolina	FWD	1499	118	160	01.15-06.18	■	
1.5 EcoBoost		Gasolina	FWD	1499	121	165	07.18-04.23	■	
2.0 EcoBoost (R9CD)	Rim 16, discØ 300, Syst. 16", discØ 316	Gasolina	FWD	1999	176	240	01.15-04.23	■	
2.0 EcoBoost (R9CI)	Rim 16, discØ 300, Syst. 16", discØ 316	Gasolina	FWD	1999	176	240	01.15-04.23	■	
2.5 FHEV		Gasol./el éc.	FWD	2488	140	190	07.21-04.23	■	
2.0 EcoBlue (YNCA)	discØ 300	Diesel	FWD	1995	88	120	07.18-04.23	■	
2.0 EcoBlue (YMCB)	discØ 300	Diesel	FWD	1995	110	150	07.18-04.23	■	
2.0 EcoBlue 4x4 (YMCB)	discØ 300	Diesel	4WD	1995	110	150	07.18-04.23	■	
2.0 EcoBlue (BCCC)	discØ 300	Diesel	FWD	1995	140	190	07.18-04.23	■	
2.0 EcoBlue 4x4 (BCCC)	discØ 300	Diesel	4WD	1995	140	190	07.18-04.23	■	
2.0 EcoBlue BI-Turbo (YLCB)	discØ 300	Diesel	FWD	1995	176	240	07.18-04.23	■	
2.0 TDCi (UFCA)	Rim 16, discØ 300, Syst. 16"	Diesel	FWD	1997	88	120	01.15-06.18	■	
2.0 TDCi (UFCB)	Rim 16, discØ 300, Syst. 16"	Diesel	FWD	1997	88	120	01.15-06.18	■	
2.0 TDCi (T7CI)	Rim 16, discØ 300, Syst. 16"	Diesel	FWD	1997	110	150	01.15-06.18	■	
2.0 TDCi (T7CJ)	Rim 16, discØ 300, Syst. 16"	Diesel	FWD	1997	110	150	01.15-06.18	■	
2.0 TDCi (T7CK)	Rim 16, discØ 300, Syst. 16"	Diesel	FWD	1997	110	150	01.15-06.18	■	
2.0 TDCi (T7CL)	Rim 16, discØ 300, Syst. 16"	Diesel	FWD	1997	110	150	01.15-06.18	■	

LISTA DE APLICACIONES - BUYERS GUIDE

2.0 TDCi 4x4 (T7CI)	Rim 16, discØ 300, Syst. 16"	Diesel	4WD	1997	110	150	01.15-06.18	■	
2.0 TDCi 4x4 (T7CJ)	Rim 16, discØ 300, Syst. 16"	Diesel	4WD	1997	110	150	01.15-06.18	■	
2.0 TDCi 4x4 (T7CK)	Rim 16, discØ 300, Syst. 16"	Diesel	4WD	1997	110	150	01.15-06.18	■	
2.0 TDCi 4x4 (T7CL)	Rim 16, discØ 300, Syst. 16"	Diesel	4WD	1997	110	150	01.15-06.18	■	
2.0 TDCi (T8CG)	Rim 16, discØ 300, Syst. 16"	Diesel	FWD	1997	132	180	01.15-06.18	■	
2.0 TDCi (T8CH)	Rim 16, discØ 300, Syst. 16"	Diesel	FWD	1997	132	180	01.15-06.18	■	
2.0 TDCi (T8CI)	Rim 16, discØ 300, Syst. 16"	Diesel	FWD	1997	132	180	01.15-06.18	■	
2.0 TDCi (T8CJ)	Rim 16, discØ 300, Syst. 16"	Diesel	FWD	1997	132	180	01.15-06.18	■	
2.0 TDCi 4x4 (T8CG)	Rim 16, discØ 300, Syst. 16"	Diesel	4WD	1997	132	180	01.15-06.18	■	
2.0 TDCi 4x4 (T8CH)	Rim 16, discØ 300, Syst. 16"	Diesel	4WD	1997	132	180	01.15-06.18	■	
2.0 TDCi 4x4 (T8CI)	Rim 16, discØ 300, Syst. 16"	Diesel	4WD	1997	132	180	01.15-06.18	■	
2.0 TDCi 4x4 (T8CJ)	Rim 16, discØ 300, Syst. 16"	Diesel	4WD	1997	132	180	01.15-06.18	■	
2.0 TDCi Bi-Turbo (T9CB)	Rim 16, discØ 300, Syst. 16"	Diesel	FWD	1997	154	210	01.15-06.18	■	
2.0 TDCi Bi-Turbo (T9CC)	Rim 16, discØ 300, Syst. 16"	Diesel	FWD	1997	154	210	01.15-06.18	■	
FORD (CHANGAN)									
MONDEO 08.13-						Saloon (Large family car-D Segment)			
1.5 (GTDIQ4)		Gasolina	FWD	1499	133	181	08.13-	■	
T (CAF488WQ3)		Gasolina	FWD	1999	149	203	08.13-	■	
2.0 (CAF488WQ6)		Gasolina	FWD	1999	150	204	11.16-	■	
2.0	11/14-	Gasolina	FWD	1999	178	242	08.13-	■	
2.0 S (CAF488WQ8)		Gasolina	FWD	1999	180	245	11.16-	■	
2.0 HEV (CAF488Q10)	-11/16	Gasol./el éc.	FWD	1999	105	143	01.16-	■	
ENERGI PHEV (CAF488Q10)		Gasol./el éc.	FWD	1999	105	143	03.18-	■	
TAURUS 11.15-						Saloon (Executive car-E Segment)			
1.5 T (CAF479WQ3)		Gasolina	FWD	1499	133	181	07.16-	■	
2.0 (CAF488WQ7)	Syst. 16"	Gasolina	FWD	1999	172	234	04.19-	■	
2.0 GTDi		Gasolina	FWD	1999	180	245	11.15-	■	
2.7 GTDi		Gasolina	FWD	2694	242	329	11.15-	■	
FORD AUSTRALIA									
MONDEO (MD) 09.14-						Estate (Large family car-D Segment)			
2.0 EcoBoost		Gasolina	FWD	1999	149	203	09.14-	■	
2.0 EcoBoost		Gasolina	FWD	1999	177	241	09.14-	■	
2.0 TDCi		Diesel	RWD	1997	132	180	09.14-	■	
MONDEO (MD) 09.14-						Hatchback (Large family car-D Segment)			
2.0 EcoBoost		Gasolina	FWD	1999	149	203	09.14-	■	
2.0 EcoBoost		Gasolina	FWD	1999	177	241	09.14-	■	
2.0 TDCi		Diesel	RWD	1997	132	180	09.14-	■	
FORD USA									
FUSION (U.S.A.) 06.05-						Saloon (Large family car-D Segment)			
3.0	01/17-	Gasolina	FWD	2967	176	239	08.05-	■	
3.0 A las 4 ruedas		Gasolina	4WD	2967	179	243	02.09-10.12	■	
3.5	01/17-	Gasolina	FWD	3496	193	262	09.06-	■	
LINCOLN									
MKZ II (U.S.A.) 09.12-						Saloon (Large family car-D Segment)			
2.0		Gasolina	FWD	1999	149	203	10.14-	■	
2.0		Gasolina	FWD	1999	172	234	06.16-	■	
2.0 AWD		Gasolina	4WD	1999	172	234	06.16-	■	

LISTA DE APLICACIONES - BUYERS GUIDE

2.0		Gasolina	FWD	1999	179	243	09.12-06.16	■
2.0	01/16-	Gasolina	FWD	1999	179	243	09.12-	■
2.0 AWD		Gasolina	4WD	1999	179	243	09.12-06.16	■
2.0		Gasolina	FWD	1999	183	249	06.16-	■
2.0 AWD		Gasolina	4WD	1999	183	249	06.16-	■
2.0		Gasolina	FWD	1999	186	253	10.14-	■
3.0		Gasolina	FWD	2956	261	355	06.16-	■
3.0 AWD		Gasolina	4WD	2956	261	355	06.16-	■
3.0		Gasolina	FWD	2956	298	405	06.16-	■
3.0 AWD		Gasolina	4WD	2956	298	405	06.16-	■
3.7		Gasolina	FWD	3726	224	305	09.12-	■
3.7	01/16-	Gasolina	FWD	3726	224	305	09.12-	■
3.7AWD		Gasolina	4WD	3726	224	305	09.12-	■
2.0 Hybrid		Gasol./el éc.	FWD	1999	101	137	04.17-	■
2.0 Hybrid		Gasol./el éc.	FWD	1999	140	190	09.12-	■
2.0 Hybrid	01/16-	Gasol./el éc.	FWD	1999	140	190	09.12-	■