

LISTA DE APLICACIONES - BUYERS GUIDE

182232

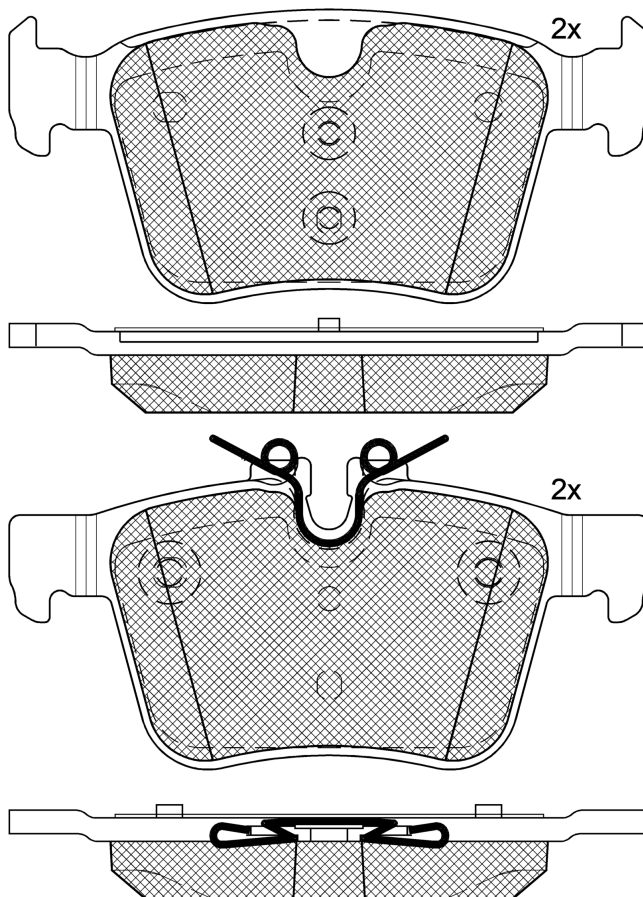


8 424073 110749

Qty: 300

Weight: 1.110

O.E.M.	MAKE
3 140 043 2	VOLVO
FK72-2M008-BB	JAGUAR
GX73-2M008-AA	JAGUAR
J9C14009	JAGUAR
J9C33358	JAGUAR
LR-061385	LAND ROVER
LR-090707	LAND ROVER
LR-095295	LAND ROVER
LR-110327	LAND ROVER
LR-123010	LAND ROVER
LR-123519	LAND ROVER
LR-123595	LAND ROVER
LR-155059	LAND ROVER
LR-155123	LAND ROVER
LR-160532	LAND ROVER
LR-160580	LAND ROVER
T2H 53849	JAGUAR
T2H 7439	JAGUAR
T2H 9989	JAGUAR
T2H41074	JAGUAR
T2H42286	JAGUAR
T2H52754	JAGUAR
T2H53866	JAGUAR
T2R36215	JAGUAR
T4K11469	JAGUAR



182232

E 9 90R-02A0111/4335



Ate - Teves

122.5x56.2x16.2
122.5x59.7x16.2

WVA	FMSI
22141	D1821-9057
22142	

MAKE
JAGUAR
JAGUAR (CHERY)
LAND ROVER
LAND ROVER (CHERY)
POLESTAR
VOLVO
VOLVO ASIA



Trac.	CC	Kw	CV
-------	----	----	----



Front / Rear

JAGUAR

E-PACE (X540) 09.17-

SUV (Compact SUV-J Segment)

Model	Rim	Syst.	Standard	Gasolina	4WD	1997	147	200	08.18-	■
2.0 P200 AWD (PT204)	Rim 16, Rim 17, Syst. Standard	Gasolina	4WD	1997	183	249	09.17-	■		
2.0 AWD (PT204)	Rim 16, Rim 17	Gasolina	4WD	1997	221	300	09.17-	■		
2.0 P200 MHEV FLEX AWD		Gasol./etanol/eléc	4WD	1997	147	200	11.20-	■		
2.0 Flexfuel AWD		Gasol./Etanol	4WD	1997	183	249	09.17-	■		
1.5 P160 MHEV	Rim 16, Rim 17	Gasol./eléc.	FWD	1497	118	160	11.20-	■		
1.5 P300e Plug-in Hybrid AWD	Rim 16, Rim 17	Gasol./eléc.	4WD	1497	147	200	11.20-	■		
1.5 P270e Plug-in Hybrid AWD		Gasol./eléc.	4WD	1497	198	269	04.24-	■		
1.5 P300e Plug-in Hybrid AWD	Rim 16, Rim 17	Gasol./eléc.	4WD	1497	227	309	11.20-	■		
2.0 P200 MHEV AWD	Rim 16, Rim 17	Gasol./eléc.	4WD	1997	147	200	11.20-	■		
2.0 P250 MHEV AWD	Rim 16, Rim 17	Gasol./eléc.	4WD	1997	184	250	11.20-	■		
2.0 P300 MHEV AWD	Rim 16, Rim 17	Gasol./eléc.	4WD	1997	221	300	11.20-	■		
2.0 D165 MHEV AWD	Rim 16, Rim 17	Diesel/eléc.	4WD	1997	120	163	11.20-	■		
2.0 D200 MHEV AWD	Rim 16, Rim 17	Diesel/eléc.	4WD	1997	150	204	11.20-	■		
2.0 D165	Rim 16, Rim 17	Diesel	FWD	1997	120	163	11.20-	■		
2.0 D150 (204DTD)	Rim 16, Rim 17, Syst. Standard	Diesel	FWD	1999	110	150	09.17-	■		
2.0 D150 AWD (204DTD)	Rim 16, Rim 17, Syst. Standard	Diesel	4WD	1999	110	150	09.17-	■		

LISTA DE APLICACIONES - BUYERS GUIDE

2.0 D180 AWD (204DTD)	Rim 16, Rim 17, Syst. Standard	Diesel	4WD	1999	132	179	09.17-	■
2.0 D240 AWD (204DTA)	Rim 16, Rim 17, Syst. Standard	Diesel	4WD	1999	177	241	09.17-	■
F-PACE (X761) 09.15-					SUV (Luxury Crossover SUV-J Segment)			
2.0 Ti4 (PT204)	Rim 17	Gasolina	RWD	1997	184	250	09.17-	■
2.0 Ti4 AWD (AJ20P)	Rim 17	Gasolina	4WD	1997	184	250	02.17-	■
2.0 Ti4 AWD (PT204)	Rim 17	Gasolina	4WD	1997	184	250	02.17-	■
2.0 Ti4 AWD (AJ20P)	Rim 17	Gasolina	4WD	1997	221	300	06.17-	■
2.0 Ti4 AWD (PT204)	Rim 17	Gasolina	4WD	1997	221	300	06.17-	■
2.0 Ti4		Gasolina	RWD	1999	177	240	05.16-	■
3.0 SCV6 AWD (306PS)	Rim 17	Gasolina	4WD	2995	250	340	09.15-	■
3.0 SCV6 AWD		Gasolina	4WD	2995	254	245	01.17-	■
3.0 SCV6 AWD (306PS)	Rim 17	Gasolina	4WD	2995	280	380	09.15-	■
2.0 P400e Plug-in Hybrid		Gasol./el éc.	4WD	1997	297	404	10.20-	■
3.0 P400 MHEV		Gasol./el éc.	4WD	2996	294	400	10.20-	■
2.0 D165 MHEV		Diesel/el éc.	4WD	1997	120	163	10.20-	■
2.0 D200 MHEV		Diesel/el éc.	4WD	1997	150	204	10.20-	■
3.0 D300 MHEV		Diesel/el éc.	4WD	2997	221	300	10.20-	■
2.0 TD4 (204DTD)	Rim 17	Diesel	RWD	1999	120	163	02.17-	■
2.0 TD4 (204DTD)	Rim 17	Diesel	RWD	1999	132	180	09.15-	■
2.0 TD4 AWD (204DTD)	Rim 17	Diesel	4WD	1999	132	180	09.15-	■
2.0 SD4 AWD (204DTA)		Diesel	4WD	1999	177	241	02.17-	■
3.0 SDV6 AWD (306DT)	Rim 17	Diesel	4WD	2993	221	300	09.15-	■
3.0 D300 AWD		Diesel	4WD	2997	221	300	10.20-	■
I-PACE (X590) 02.18-					SUV (Large SUV-J Segment)			
EV320 AWD	ch- M1000001	Eléctrico	4WD		236	321	10.20-	■
EV400 AWD	ch- M1000001	Eléctrico	4WD		294	400	02.18-	■
XE (X760) 03.15-					Saloon (Compact car-C Segment)			
2.0 (PT204)		Gasolina	RWD	1997	147	200	02.17-	■
2.0 (PT204)		Gasolina	RWD	1997	184	250	02.17-	■
2.0 AWD (PT204)		Gasolina	4WD	1997	184	250	02.17-	■
2.0 (PT204)		Gasolina	RWD	1997	221	300	06.17-	■
2.0 AWD (PT204)	Rim 18	Gasolina	4WD	1997	221	300	06.17-	■
2.0 (204PT)		Gasolina	RWD	1999	147	200	03.15-	■
2.0		Gasolina	RWD	1999	147	200	03.15-	■
2.0 (204PT)	Rim 16.5	Gasolina	RWD	1999	177	241	03.15-	■
P250		Gasolina	RWD	1999	184	250	09.22-	■
3.0S (306PS)	Rim 17	Gasolina	RWD	2995	250	340	03.15-	■
3.0 S AWD (306PS)		Gasolina	4WD	2995	250	240	08.17-	■
3.0S (306PS)		Gasolina	RWD	2995	279	379	08.17-	■
3.0S (306PS)	Rim 16.5	Gasolina	RWD	2995	280	381	02.17-	■
2.0 D200 MHEV		Diesel/el éc.	RWD	1997	150	204	11.20-	■
2.0 D200 MHEV AWD		Diesel/el éc.	4WD	1997	150	204	11.20-	■
2.0 D (204DTD)	not sports package, Rim 17 sports package, Rim 16.5	Diesel	RWD	1999	120	163	03.15-	■
2.0 D (204DTD)	not sports package, Rim 17 sports package, Rim 16.5	Diesel	RWD	1999	132	180	03.15-	■
2.0 D AWD (204DTD)		Diesel	4WD	1999	132	180	10.15-	■
2.0 D AWD (204DTA)		Diesel	4WD	1999	177	241	02.17-	■

LISTA DE APLICACIONES - BUYERS GUIDE

XF II (X260) 05.15-					Saloon (Luxury car-F Segment)			
2.0 (PT204)	Rim 16, Rim 17	Gasolina	RWD	1997	147	200	03.17-	■
2.0 (PT204)	Rim 16, Rim 17	Gasolina	RWD	1997	184	250	03.17-	■
2.0 AWD (PT204)	Rim 17, Rim 16	Gasolina	4WD	1997	184	250	03.17-	■
2.0 (PT204)	Rim 16, Rim 17	Gasolina	RWD	1997	221	300	06.17-	■
2.0 AWD (PT204)	Rim 17, Rim 16	Gasolina	4WD	1997	221	300	09.17-	■
2.0 (204PT)	Rim 17, Rim 16	Gasolina	RWD	1999	177	241	05.15-	■
3.0 (306PS)	Rim 17, Rim 16	Gasolina	RWD	2995	250	340	05.15-	■
3.0 AWD (306PS)	Rim 17, Rim 16	Gasolina	4WD	2995	250	340	07.15-	■
3.0 (306PS)	Rim 17, Rim 16	Gasolina	RWD	2995	280	380	05.15-	■
3.0 AWD (306PS)	Rim 17, Rim 16	Gasolina	4WD	2995	280	380	07.15-	■
2.0 D200 MHEV	Rim 17, Rim 16	Diesel/el éc.	RWD	1997	150	204	11.20-	■
2.0 D200 MHEV AWD	Rim 17, Rim 16	Diesel/el éc.	4WD	1997	150	204	11.20-	■
2.0 D (204DTD)		Diesel	RWD	1999	120	163	05.15-	■
2.0 D (204DTD)		Diesel	RWD	1999	132	180	05.15-	■
2.0 D AWD (204DTD)	Eq.V_ RC02, Rim 17	Diesel	4WD	1999	132	180	03.16-	■
2.0 D (204DTA)	Rim 17	Diesel	RWD	1999	177	241	03.17-	■
2.0 D AWD (204DTA)	Rim 17	Diesel	4WD	1999	177	241	03.17-	■
3.0 D (306DT)	Rim 17, Rim 16	Diesel	RWD	2993	221	300	05.15-	■
XF II SPORTBRAKE (X260) 07.17-					Estate (Luxury car-F Segment)			
2.0 (PT204)	Rim 16, Rim 17	Gasolina	RWD	1997	147	200	07.17-	■
2.0 (PT204)	Rim 16, Rim 17	Gasolina	RWD	1997	184	250	07.17-	■
2.0 AWD	Rim 17, Rim 16	Gasolina	4WD	1997	184	250	11.20-	■
2.0 AWD (PT204)	Rim 17, Rim 16	Gasolina	4WD	1997	221	300	08.18-	■
3.0 (306PS)	Rim 17, Rim 16	Gasolina	RWD	2995	280	380	07.17-	■
3.0 AWD (306PS)	Rim 17, Rim 16	Gasolina	4WD	2995	280	380	07.17-	■
2.0 D200 MHEV	Rim 17, Rim 16	Diesel/el éc.	RWD	1997	150	204	11.20-	■
2.0 D200 MHEV AWD	Rim 17, Rim 16	Diesel/el éc.	4WD	1997	150	204	11.20-	■
2.0 D (204DTD)		Diesel	RWD	1999	120	163	07.17-	■
2.0 D (204DTD)	Rim 17	Diesel	RWD	1999	132	180	07.17-	■
2.0 D AWD (204DTD)	Rim 17	Diesel	4WD	1999	132	180	07.17-	■
2.0 D AWD (204DTA)	Rim 17	Diesel	4WD	1999	177	241	07.17-	■
3.0 D (306DT)	Rim 17, Rim 16	Diesel	RWD	2993	221	300	07.17-	■
JAGUAR (CHERY)								
E-PACE 08.18-					SUV (Compact SUV-J Segment)			
2.0 Alas 4 ruedas (PT204)		Gasolina	4WD	1997	147	200	08.18-	■
2.0 Alas 4 ruedas (PT204)		Gasolina	4WD	1997	183	249	08.18-	■
XEL 11.17-					Saloon ()			
20t (PT204)		Gasolina	RWD	1997	147	200	08.18-	■
25T (PT204)		Gasolina	RWD	1997	184	250	12.17-	■
XFL 08.16-					Saloon (Luxury car-F Segment)			
20t (PT204)		Gasolina	RWD	1997	147	200	08.16-09.17	■
20t (PT204)		Gasolina	RWD	1997	147	200	09.17-	■
25T (PT204)		Gasolina	RWD	1997	174	250	09.17-	■
2.0 25t A las 4 ruedas (PT204)		Gasolina	4WD	1997	184	250	11.18-	■
2.0 30t A las 4 ruedas (PT204)		Gasolina	4WD	1997	221	300	11.18-	■
25T		Gasolina	RWD	1999	177	240	08.16-09.17	■
35t (306PS)		Gasolina	RWD	2995	250	340	08.16-	■

LISTA DE APLICACIONES - BUYERS GUIDE

LAND ROVER

DISCOVERY SPORT (L550) 09.14-						SUV Van (Executive SUV-J Segment)			
Si4 4x4	Rim 16, discØ 300, Rim 17, discØ 325, Performance brakes	Gasolina	4WD	1997	177	241	12.17-	■	
Si4 4x4	Rim 16, discØ 300, Rim 17, discØ 325, Performance brakes	Gasolina	4WD	1997	213	290	08.17-	■	
Si4 4x4	Rim 16, discØ 300, Rim 17, discØ 325, Performance brakes	Gasolina	4WD	1999	177	241	01.17-	■	
eD4 E-Capability	Rim 16, discØ 300, Rim 17, discØ 325, Performance brakes	Diesel	FWD	1999	110	150	08.15-	■	
TD4 4x4	Rim 16, discØ 300, Rim 17, discØ 325, Performance brakes	Diesel	4WD	1999	110	150	12.14-	■	
TD4 4x4	Rim 16, discØ 300, Rim 17, discØ 325, Performance brakes	Diesel	4WD	1999	132	179	06.15-	■	
SD4 4x4	Rim 16, discØ 300, Rim 17, discØ 325, Performance brakes	Diesel	4WD	1999	177	241	08.17-	■	
DISCOVERY SPORT (L550) 09.14-						SUV (Executive SUV-J Segment)			
2.0 P200 4x4 (PT204)	Rim 16, discØ 300, Rim 17, discØ 325, Syst. 16",17"	Gasolina	4WD	1997	147	200	07.20-	■	
2.0 4x4 (PT204)	Performance brakes	Gasolina	4WD	1997	177	241	12.17-	■	
2.0 Si4 4x4		Gasolina	4WD	1997	177	241	12.17-	■	
2.0 P250 4x4 (PT204)	Rim 16, discØ 300 Rim 17, discØ 325	Gasolina	4WD	1997	183	249	05.19-	■	
2.0 4x4 (PT204)	Performance brakes	Gasolina	4WD	1997	213	290	08.17-	■	
2.0 4x4 (204PT)		Gasolina	4WD	1999	176	240	03.15-	■	
2.0 4x4 (204PT)	Performance brakes	Gasolina	4WD	1999	177	241	11.14-	■	
2.0 P200 FLEX MHEV 4x4 (PT204)	Rim 17, discØ 325 Rim 16, discØ 300, Syst. 16",17"	Gasol./et anol/eléc	4WD	1997	147	200	09.20-	■	
2.0 Si4 FLEX 4x4 (PT204)	Rim 16, discØ 300 Rim 17, discØ 325	Gasol./Et anol	4WD	1997	177	241	12.18-	■	
1.5 P300e Hybrid 4x4 (AJ20P3)	discØ 325, Rim 17, discØ 300	Gasol./el éc.	4WD	1498	147	200	02.20-	■	
1.5 P 270e PHEV 4x4		Gasol./el éc.	4WD	1498	198	269	05.24-	■	
1.5 P300e Hybrid 4x4 (AJ20P3)	discØ 325, Rim 17, discØ 300	Gasol./el éc.	4WD	1498	227	309	02.20-	■	
2.0 P200 MHEV 4x4 (PT204)	Rim 16, Rim 17, discØ 300, discØ 325, Syst. High Performance, -ch KH999999	Gasol./el éc.	4WD	1997	147	200	05.19-	■	
2.0 P250 MHEV 4x4 (PT204)	Rim 16, Rim 17, discØ 300, discØ 325, Syst. High Performance, -ch KH999999	Gasol./el éc.	4WD	1997	184	250	05.19-	■	
2.0 P290 MHEV 4x4 (PT204)	Rim 16, discØ 300, Rim 17, discØ 325	Gasol./el éc.	4WD	1997	213	290	07.20-	■	
2.0 D165 MHEV		Diesel/el éc.	FWD	1997	120	163	03.21-	■	
2.0 D165 MHEV 4x4 (AJ20D4)	Rim 16, discØ 300, Rim 17, discØ 325	Diesel/el éc.	4WD	1997	120	163	07.20-	■	
2.0 D200 MHEV 4x4 (AJ20D4)	Rim 16, discØ 300, Rim 17, discØ 325	Diesel/el éc.	4WD	1997	150	204	07.20-	■	
2.0 D150 MHEV 4x4 (204DTD)	Rim 16, Rim 17, discØ 300, discØ 325, Syst. High Performance, -ch KH999999	Diesel/el éc.	4WD	1999	110	150	05.19-	■	
2.0 D180 MHEV 4x4 (204DTD)	Rim 16, Rim 17, discØ 300, discØ 325, Syst. High Performance, -ch KH999999	Diesel/el éc.	4WD	1999	132	179	05.19-	■	
2.0 D240 MHEV 4x4 (204DTA)	Rim 16, Rim 17, discØ 300, discØ 325, Syst. High Performance, -ch KH999999	Diesel/el éc.	4WD	1999	177	241	05.19-	■	
2.0 D (204DTD)	Performance brakes	Diesel	FWD	1999	110	150	08.15-	■	

LISTA DE APLICACIONES - BUYERS GUIDE

2.0 D 4x4 (204DTD)	Performance brakes	Diesel	4WD	1999	110	150	12.14-	■	
2.0 D165 (204DTD)	Rim 16, discØ 300, Rim 17, discØ 325, Syst. 16",17"	Diesel	FWD	1999	120	163	07.20-	■	
2.0 D 4x4 (204DTD)	Performance brakes	Diesel	4WD	1999	132	180	06.15-	■	
2.0 D 4x4 (204DTA)	Performance brakes	Diesel	4WD	1999	177	241	08.17-	■	
2.2 D 4x4 (224DT)	Performance brakes	Diesel	4WD	2179	110	150	09.14-	■	
2.2 D 4x4 (224DT)	Performance brakes	Diesel	4WD	2179	140	190	09.14-	■	
RANGE ROVER EVOQUE (L538) 11.15-					Convertible (Compact SUV-J Segment)				
2.0 4x4 (PT204)		Gasolina	4WD	1997	177	241	08.17-12.19	■	
2.0 4x4 (204PT)	ch- (V)GH000001	Gasolina	4WD	1999	177	241	11.15-12.19	■	
2.0 D 4x4 (204DTD)	ch- (V)GH000001	Diesel	4WD	1999	110	150	11.15-12.19	■	
2.0 D 4x4 (204DTD)	ch- (V)GH000001	Diesel	4WD	1999	132	180	11.15-12.19	■	
2.0 D 4x4 (204DTA)		Diesel	4WD	1999	177	241	08.17-12.19	■	
RANGE ROVER EVOQUE (L538) 06.11-12.19					SUV Van (Compact SUV-J Segment)				
Si4 4x4		Gasolina	4WD	1999	177	241	09.13-12.19	■	
TD4	ch- (V)GH000001	Diesel	FWD	2179	110	150	05.15-12.19	■	
TD4 4x4	ch- (V)GH000001	Diesel	4WD	2179	110	150	05.15-12.19	■	
SD4 4x4	ch- (V)GH000001	Diesel	4WD	2179	140	190	05.15-12.19	■	
RANGE ROVER EVOQUE (L538) 06.11-					SUV (Compact SUV-J Segment)				
2.0 4x4 (PT204)		Gasolina	4WD	1997	177	241	08.17-12.19	■	
2.0 4x4 (PT204)	ch- (V)GH000001	Gasolina	4WD	1997	213	290	08.17-12.19	■	
2.0 4x4 (204PT)	ch- (V)GH000001, Rim 17	Gasolina	4WD	1999	176	240	09.11-12.19	■	
2.0 4x4 (204PT)	ch- (V)GH000001	Gasolina	4WD	1999	177	241	06.11-12.19	■	
2.0 D (204DTD)	ch- (V)GH000001	Diesel	FWD	1999	110	150	06.15-12.19	■	
2.0 D 4x4 (204DTD)	ch- (V)GH000001	Diesel	4WD	1999	110	150	06.15-12.19	■	
2.0 D 4x4 (204DTD)	ch- (V)GH000001	Diesel	4WD	1999	132	180	05.15-12.19	■	
2.0 D 4x4 (204DTA)		Diesel	4WD	1999	177	241	08.17-12.19	■	
2.2 D (224DT)	ch- (V)GH000001	Diesel	FWD	2179	110	150	06.11-12.19	■	
2.2 D 4x4 (224DT)	ch- (V)GH000001	Diesel	4WD	2179	110	150	06.11-12.19	■	
2.2 D 4x4 (224DT)	ch- (V)GH000001	Diesel	4WD	2179	140	190	06.11-12.19	■	
RANGE ROVER EVOQUE II (L551) 12.18-					SUV (Compact SUV-J Segment)				
2.0 P200 4x4 (PT204)	discØ 300, discØ 325, Rim 17	Gasolina	4WD	1997	147	200	12.18-	■	
2.0 P250 4x4 (PT204)	discØ 300, discØ 325, Rim 17	Gasolina	4WD	1997	184	250	12.18-	■	
2.0 P300 4x4 (PT204)	Rim 16, Rim 17, discØ 325, Syst. 16",17"	Gasolina	4WD	1997	221	300	07.20-	■	
2.0 P200 FLEX MHEV 4x4 (PT204)	Rim 17, discØ 325, Syst. 16",17"	Gasol./etanol/eléc	4WD	1997	147	200	09.20-	■	
2.0 P200 FLEX 4x4		Gasol./Etanol	4WD	1997	147	200	12.18-	■	
1.5 P160 MHEV (AJ20P3)	Rim 16, discØ 300, Rim 17, discØ 325, Syst. 16",17"	Gasol./eléc.	FWD	1498	118	160	09.20-	■	
1.5 P300e Hybrid 4x4 (AJ20P3)	discØ 325, Rim 17, discØ 300	Gasol./eléc.	4WD	1498	147	200	02.20-	■	
1.5 P270e Hybrid 4x4		Gasol./eléc.	4WD	1498	198	269	04.24-	■	
1.5 P300e Hybrid 4x4 (AJ20P3)	discØ 325, Rim 17, discØ 300	Gasol./eléc.	4WD	1498	227	309	02.20-	■	
2.0 P200 MHEV 4x4 (PT204)	discØ 300, discØ 325, Rim 17	Gasol./eléc.	4WD	1997	147	200	12.18-	■	
2.0 P250 MHEV 4x4 (PT204)	discØ 300, discØ 325, Rim 17	Gasol./eléc.	4WD	1997	183	249	12.18-	■	
2.0 P300 MHEV 4x4 (PT204)	discØ 300, discØ 325, Rim 17	Gasol./eléc.	4WD	1997	221	300	12.18-	■	
2.0 D165 MHEV 4x4 (AJ20D4)	Rim 16, discØ 300, Rim 17, discØ 325, Syst. 16",17"	Diesel/eléc.	4WD	1997	120	163	07.20-	■	

LISTA DE APLICACIONES - BUYERS GUIDE

2.0 D200 MHEV 4x4 (AJ20D4)	Rim 16, discØ 300, Rim 17, discØ 325, Syst. 16",17"	Diesel/el éc.	4WD	1997	150	204	07.20-	■	
2.0 D150 MHEV 4x4 (204DTD)	discØ 300, discØ 325, Rim 17	Diesel/el éc.	4WD	1999	110	150	12.18-	■	
2.0 D180 MHEV 4x4 (204DTD)	discØ 300, discØ 325, Rim 17	Diesel/el éc.	4WD	1999	132	180	12.18-	■	
2.0 D240 MHEV 4x4 (204DTA)	discØ 300, discØ 325, Rim 17	Diesel/el éc.	4WD	1999	177	241	12.18-	■	
2.0 D165 (AJ20D4)	Rim 16, discØ 300, Rim 17, discØ 325, Syst. 16",17"	Diesel	FWD	1997	120	163	07.20-	■	
2.0 D165 4x4 (AJ20D4)	Rim 17, discØ 325, Syst. 16",17"	Diesel	4WD	1997	120	163	07.20-	■	
2.0 D200 4x4 (AJ20D4)	Rim 17, discØ 325, Syst. 16",17"	Diesel	4WD	1997	150	204	07.20-	■	
2.0 D150 (204DTD)	discØ 300, discØ 325, Rim 17	Diesel	FWD	1999	110	150	12.18-	■	
2.0 D150 4x4 (204DTD)	discØ 300, discØ 325, Rim 17	Diesel	4WD	1999	110	150	12.18-	■	
2.0 D180 4x4 (204DTD)	discØ 300, discØ 325, Rim 17	Diesel	4WD	1999	132	180	12.18-	■	
RANGE ROVER VELAR (L560) 03.17-					SUV (Luxury Crossover SUV-J Segment)				
2.0 P250 Si4 4x4 (PT204)		Gasolina	4WD	1997	184	250	03.17-	■	
2.0 P300 Si4 4x4 (PT204)		Gasolina	4WD	1997	221	300	03.17-	■	
3.0 P340 SCV6 4x4 (306PS)		Gasolina	4WD	2995	250	340	04.18-	■	
3.0 P380 SCV6 4x4 (306PS)		Gasolina	4WD	2995	280	380	03.17-	■	
5.0 SCV8 4x4 (508PS)		Gasolina	4WD	5000	405	551	01.19-	■	
2.0 P400 Hybrid 4x4 (PT204)	discØ 325, Rim 18, Rim 19	Gasol./el éc.	4WD	1997	221	300	07.20-	■	
2.0 P400 Hybrid 4x4 (PT204)		Gasol./el éc.	4WD	1997	297	404	07.20-	■	
3.0 P400 MHEV 4x4 (AJ20P6)	discØ 325, Rim 18, Rim 19	Gasol./el éc.	4WD	2995	294	400	07.20-	■	
2.0 D200 MHEV 4x4 (AJ20D4)	discØ 325, Rim 19, Rim 18	Diesel/el éc.	4WD	1997	150	204	07.20-	■	
3.0 D300 MHEV 4x4 (AJ20D6)	discØ 325, Rim 18, Rim 19	Diesel/el éc.	4WD	2997	221	300	07.20-	■	
2.0 D180 TD4 4x4 (204DTD)		Diesel	4WD	1999	132	180	03.17-	■	
2.0 D240 SD4 4x4 (204DTA)		Diesel	4WD	1999	177	241	03.17-	■	
3.0 D275 SDV6 4x4 (306DT)		Diesel	4WD	2993	202	275	04.18-	■	
3.0 D300 SDV6 4x4 (306DT)		Diesel	4WD	2993	221	300	03.17-	■	
LAND ROVER (CHERY)									
DISCOVERY SPORT (L550) 02.20-					Closed Off-Road Vehicle (Executive SUV-J Segment)				
P300e Plug-in Hybrid AWD (PT153)		Gasol./el éc.	4WD	1498	147	200	11.20-	■	
P300e Plug-in Hybrid A las 4 ruedas (PT153, TZ-180-X-S-C01)		Gasol./el éc.	4WD	1498	227	309	11.20-	■	
Mild Hybrid AWD (PT204)		Gasol./el éc.	4WD	1997	147	200	02.20-	■	
P250 S Mild Hybrid A las 4 ruedas (PT204)		Gasol./el éc.	4WD	1997	183	249	02.20-	■	
DISCOVERY SPORT (L550) 10.15-					SUV (Executive SUV-J Segment)				
2.0 Alas 4 ruedas (PT204)		Gasolina	4WD	1997	147	200	08.17-	■	
2.0 Alas 4 ruedas (PT204)		Gasolina	4WD	1997	177	241	08.17-	■	
2.0 4x4 (204PT)		Gasolina	4WD	1999	177	241	10.15-07.17	■	
RANGE ROVER EVOQUE (L538) 02.15-					SUV (Compact SUV-J Segment)				
2.0 Alas 4 ruedas		Gasolina	4WD	1997	147	200	08.17-08.19	■	
2.0 Alas 4 ruedas (PT204)		Gasolina	4WD	1997	147	200	08.17-08.19	■	
2.0 Alas 4 ruedas (PT204)		Gasolina	4WD	1997	177	241	08.17-08.19	■	
Mild Hybrid A las 4 ruedas (PT204)		Gasol./el éc.	4WD	1997	183	249	07.19-	■	
POLESTAR									

LISTA DE APLICACIONES - BUYERS GUIDE

POLESTAR 2 (534) 02.19-						Hatchback (Compact executive car-D Segment)			
EV		Eléctrico	FWD			165	224	04.21-12.22	■
EV		Eléctrico	FWD			170	231	04.21-	■
EV		Eléctrico	RWD			200	272	03.23-	■
EV		Eléctrico	RWD			220	299	03.23-	■
EV		Eléctrico	4WD			300	408	04.19-12.23	■
EV		Eléctrico	4WD			310	421	03.23-	■
EV		Eléctrico	4WD			350	476	01.23-	■
VOLVO									
C40 (539) 10.21-						SUV (Compact Crossover SUV-C Segment)			
Recharge		Eléctrico	FWD			170	231	04.22-12.22	■
Recharge		Eléctrico	RWD			175	238	01.23-12.24	■
Recharge		Eléctrico	RWD			185	252	01.23-12.24	■
Recharge AWD		Eléctrico	4WD			300	408	10.21-12.24	■
Recharge AWD		Eléctrico	4WD			300	408	11.22-12.24	■
EC40 (539) 04.24-						SUV (Compact Crossover SUV-C Segment)			
EV		Eléctrico	RWD			175	238	04.24-	■
EV		Eléctrico	RWD			185	252	04.24-	■
EV AWD		Eléctrico	4WD			300	408	04.24-	■
EV AWD		Eléctrico	4WD			325	442	04.24-	■
EX40 (536) 04.24-						SUV (Compact Crossover SUV-C Segment)			
EV		Eléctrico	RWD			175	238	04.24-	■
EV		Eléctrico	RWD			185	252	04.24-	■
EV AWD		Eléctrico	4WD			300	408	04.24-	■
EV AWD		Eléctrico	4WD			325	442	04.24-	■
S60 III (224) 02.19-						Saloon (Compact executive car-D Segment)			
T4 (B 4204 T31)	Rim 17, Eq.V_ RC01,RC02	Gasolina	FWD	1969		140	190	02.19-12.21	■
T4 (B 4204 T44)	Rim 17, Eq.V_ RC01,RC02	Gasolina	FWD	1969		140	190	02.19-12.21	■
T4 Polestar (B 4204 T31P)	Rim 17, RC01,RC02	Gasolina	FWD	1969		155	210	07.19-12.21	■
T5 AWD (B 4204 T20)	Rim 17, RC01,RC02	Gasolina	4WD	1969		183	249	05.19-12.21	■
T5 (B 4204 T26)	Rim 17, Eq.V_ RC01,RC02	Gasolina	FWD	1969		184	250	02.19-12.21	■
T5 AWD (B 4204 T26)	Rim 17, Eq.V_ RC01,RC02	Gasolina	4WD	1969		184	250	02.19-	■
T5 Polestar (B 4204 T26P)	Rim 17, RC01,RC02	Gasolina	FWD	1969		186	253	07.19-12.21	■
T5 AWD (B 4204 T23)	Rim 17, Eq.V_ RC01,RC02	Gasolina	4WD	1969		187	254	05.19-12.21	■
T5 AWD		Gasolina	4WD	1969		192	261	05.19-	■
T6 AWD (B 4204 T29)	Rim 17, Eq.V_ RC01,RC02	Gasolina	4WD	1969		228	310	05.19-12.21	■
2.0 T6 AWD		Gasolina	4WD	1969		236	321	05.19-	■
2.0 T8 Drive-E AWD		Gasolina	4WD	1969		298	405	05.19-	■
B3 MHEV	Rim 17, RC01,RC02	Gasol./el éc.	FWD	1969		120	163	03.20-12.23	■
B4 Mild-Hybrid (B 420 T6)	Rim 17, RC01,RC02	Gasol./el éc.	FWD	1969		145	197	03.20-	■
B5 Mild-Hybrid AWD		Gasol./el éc.	4WD	1969		183	249	03.22-	■
B5 Mild-Hybrid (B 420 T2)	Rim 17, RC01,RC02	Gasol./el éc.	FWD	1969		184	250	03.20-	■
B5 Mild-Hybrid AWD (B 420 T2)	Rim 17, RC01,RC02	Gasol./el éc.	4WD	1969		184	250	03.20-	■
B6 Mild-Hybrid AWD	RC01,RC02, Rim 17	Gasol./el éc.	4WD	1969		220	299	04.21-12.22	■
T8 Twin Engine Polestar AWD (B 4204 T48)	RC01,RC02	Gasol./el éc.	4WD	1969		233	318	10.19-	■

LISTA DE APLICACIONES - BUYERS GUIDE

T8 Plug-in Hybrid AWD (B 4204 T27)	RC01,RC02	Gasol./el éc.	4WD	1969	235	320	05.19-	■	
T8 Plug-in Hybrid AWD (B 4204 T35)	RC01,RC02	Gasol./el éc.	4WD	1969	235	320	05.19-	■	
T6 Twin Engine AWD (B 4204 T46)	Rim 17, Eq.V_ RC01,RC02	Gasol./el éc.	4WD	1969	250	340	02.19-12.22	■	
T6 Twin Engine AWD		Gasol./el éc.	4WD	1969	257	349	01.22-	■	
T8 Twin Engine AWD (B 4204 T34)	Rim 17, Eq.V_ RC01,RC02	Gasol./el éc.	4WD	1969	287	390	02.19-12.22	■	
T8 Twin Engine Polestar AWD (B 4204 T48)	Rim 17, Eq.V_ RC01,RC02	Gasol./el éc.	4WD	1969	298	405	02.19-	■	
T8 Twin Engine Polestar AWD		Gasol./el éc.	4WD	1969	298	405	01.21-	■	
T8 Plug-in Hybrid AWD (B 4204 T35)		Gasol./el éc.	4WD	1969	299	407	05.19-12.22	■	
T8 Hibrid Polestar AWD (B 4204 T39)		Gasol./el éc.	4WD	1969	309	420	05.19-	■	
T8 Hibrid Polestar AWD	RC01, Rim 17, Eq.V_ RC01,RC02	Gasol./el éc.	4WD	1969	310	422	05.19-12.22	■	
T8 Recharge AWD		Gasol./el éc.	4WD	1969	317	431	01.23-	■	
T8 Plug-in Hybrid AWD		Gasol./el éc.	4WD	1969	335	455	01.22-	■	
S90 II (234) 01.16-							Saloon (Executive car-E Segment)		
T4 (B 4204 T31)	Eq.V_ RC01,RC02, ch- 36770	Gasolina	FWD	1969	140	190	10.17-12.21	■	
T4 Polestar (B 4204 T31)	Rim 17, RC01,RC02	Gasolina	FWD	1969	155	210	06.19-12.21	■	
2.0 (B 4204 T20)	Rim 17, Eq.V_ RC01,RC02, ch- 36770	Gasolina	FWD	1969	183	249	03.16-12.21	■	
T5 (B 4204 T26)	Rim 17, Eq.V_ RC01,RC02, ch- 36770	Gasolina	FWD	1969	184	250	10.17-12.21	■	
T5 Drive-E Polestar (B 4204 T26)	Rim 17, RC01,RC02	Gasolina	FWD	1969	186	253	10.17-12.21	■	
2.0 T5 AWD	Rim 17	Gasolina	4WD	1969	187	254	01.18-	■	
T5 (B 4204 T23)	Rim 17, Eq.V_ RC01,RC02, ch- 36770	Gasolina	FWD	1969	187	254	03.16-12.21	■	
T5 Drive-E Polestar (B 4204 T23)	Rim 17, RC01,RC02	Gasolina	FWD	1969	192	261	03.16-12.21	■	
T6 AWD (B 4204 T29)	Rim 17, Eq.V_ RC01,RC02, ch- 36770	Gasolina	4WD	1969	228	310	10.17-12.21	■	
T6 AWD (B 4204 T27)	Rim 17, Eq.V_ RC01,RC02, ch- 36770	Gasolina	4WD	1969	235	320	03.16-12.21	■	
T6 Drive-E Polestar AWD (B 4204 T29)	Rim 17, RC01,RC02	Gasolina	4WD	1969	240	326	10.17-12.21	■	
T6 Drive-E Polestar AWD (B 4204 T27)	Rim 17, RC01,RC02	Gasolina	4WD	1969	246	334	03.16-12.21	■	
B4 Mild-Hybrid (B 420 T6)	Rim 17, RC01,RC02	Gasol./el éc.	FWD	1969	145	197	03.20-	■	
B5 Mild-Hybrid		Gasol./el éc.	FWD	1969	183	249	03.22-	■	
B5 Mild-Hybrid	Rim 17, RC01,RC02	Gasol./el éc.	FWD	1969	184	250	03.20-	■	
B6 Mild-Hybrid AWD		Gasol./el éc.	4WD	1969	220	299	03.20-	■	
T8 Plug-in Hybrid AWD	Rim 17, RC01	Gasol./el éc.	4WD	1969	228	310	01.22-	■	
T8 Hibrid Polestar AWD (B 4204 T34)	Rim 17, RC01,RC02	Gasol./el éc.	4WD	1969	233	317	01.19-	■	
T8 Plug-in Hybrid AWD (B 4204 T35)	Rim 17, Eq.V_ RC01,RC02, ch- 36770	Gasol./el éc.	4WD	1969	235	320	10.17-	■	
T8 Plug-in Hybrid Polestar AWD	Rim 17, RC01,RC02	Gasol./el éc.	4WD	1969	246	334	10.17-12.22	■	
T8 Hibrid AWD (B 4204 T34)	Rim 17, RC01,RC02, Long Wheelbase	Gasol./el éc.	4WD	1969	287	390	04.18-12.22	■	
T8 Plug-in Hybrid AWD		Gasol./el éc.	4WD	1969	299	407	10.17-12.22	■	
T8 Plug-in Hybrid AWD	Rim 17, RC01	Gasol./el éc.	4WD	1969	335	455	01.22-	■	
T8 Plug-in Hybrid AWD		Gasol./el éc.	4WD	1969	340	462	04.22-	■	
B5 Mild Hybrid AWD		Diesel/el éc.	4WD	1969	173	235	12.20-	■	

LISTA DE APLICACIONES - BUYERS GUIDE

B5 Mild Hybrid AWD		Diesel/el éc.	4WD	1969	180	245	03.23-	■	
D3 (D 4204 T16)	Rim 17, Eq.V_ RC01,RC02, ch- 36770	Diesel	FWD	1969	110	150	03.16-12.21	■	
D3 (D 4204 T9)	Rim 17, Eq.V_ RC01,RC02, ch- 36770	Diesel	FWD	1969	110	150	03.16-12.21	■	
D4 (D 4204 T7)	Rim 17, RC01,RC02	Diesel	FWD	1969	120	163	09.18-12.21	■	
D4 (D 4204 T14)	Rim 17, Eq.V_ RC01,RC02, ch- 36770	Diesel	FWD	1969	140	190	03.16-12.21	■	
D4 AWD (D 4204 T14)	Rim 17, Eq.V_ RC01,RC02, ch- 36770	Diesel	4WD	1969	140	190	03.16-12.21	■	
D4 Drive-E Polestar (D 4204 T14)	Rim 17, RC01,RC02	Diesel	FWD	1969	147	200	03.16-12.21	■	
D4 Drive-E Polestar AWD (D 4204 T14)	Rim 17, RC01,RC02	Diesel	4WD	1969	147	200	03.16-12.21	■	
D5 AWD (D 4204 T23)	Rim 17, Eq.V_ RC01,RC02, ch- 36770	Diesel	4WD	1969	173	235	03.16-12.21	■	
D5 Polestar AWD	Rim 17, RC01,RC02	Diesel	4WD	1969	177	240	03.16-11.21	■	
V60 (227) 02.18-							Estate (Compact executive car-D Segment)		
B5 Mild-Hybrid AWD (B 420 T10)	RC01, Rim 17	Gasol./el éc.	4WD	1969	183	249	03.22-	■	
B4 Mild-Hybrid AWD	Rim 17, RC01	Diesel/el éc.	4WD	1969	145	197	10.20-	■	
V60 II (225) 02.18-							Estate (Compact executive car-D Segment)		
T4 (B 4204 T31)	Rim 17, RC01,RC02	Gasolina	FWD	1969	140	190	05.19-	■	
T4 Polestar (B 4204 T31P)	Rim 17, RC01,RC02	Gasolina	FWD	1969	155	210	07.19-12.21	■	
T5 (B 4204 T26)	Rim 17, RC01,RC02	Gasolina	FWD	1969	184	250	02.18-12.21	■	
T5 AWD (B 4204 T26)	Rim 17, RC01,RC02	Gasolina	4WD	1969	184	250	09.18-12.21	■	
T5 Polestar (B 4204 T11)	Rim 17, RC01,RC02	Gasolina	FWD	1969	186	253	07.19-12.21	■	
T5 Polestar (B 4204 T26P)	Rim 17, RC01,RC02	Gasolina	FWD	1969	186	253	07.19-12.21	■	
T5 Polestar AWD (B 4204 T11)	Rim 17, RC01,RC02	Gasolina	4WD	1969	186	253	07.19-	■	
T5 Polestar AWD (B 4204 T26P)	Rim 17, RC01,RC02	Gasolina	4WD	1969	186	253	07.19-	■	
T5		Gasolina	FWD	1969	187	254	08.19-	■	
T5 AWD		Gasolina	4WD	1969	192	261	05.19-	■	
T6 AWD	Rim 17, RC01,RC02	Gasolina	4WD	1969	228	310	02.18-12.21	■	
2.0 T6 Drive-E Polestar AWD (B 4204 T29)	Rim 17, RC01,RC02	Gasolina	4WD	1969	240	326	02.18-12.21	■	
B3 Mild-Hybrid (B 420 T3)	Rim 17, RC01,RC02	Gasol./el éc.	FWD	1969	120	163	03.20-	■	
B4 Mild Hybrid (B 420 T6)	Rim 17, RC01,RC02	Gasol./el éc.	FWD	1969	145	197	03.20-	■	
B4 Mild-Hybrid AWD	Rim 17, RC01,RC02	Gasol./el éc.	4WD	1969	145	197	03.20-	■	
B5 Mild Hybrid (B 420 T2)	Rim 17, RC01,RC02	Gasol./el éc.	FWD	1969	184	250	03.20-	■	
B5 Mild-Hybrid AWD (B 420 T2)	Rim 17, RC01,RC02	Gasol./el éc.	4WD	1969	184	250	03.20-	■	
B6 Mild-Hybrid AWD (B 420 T)	Rim 17, RC01,RC02	Gasol./el éc.	4WD	1969	220	299	03.20-	■	
T8 Plug-in Hybrid AWD	RC01, Rim 17	Gasol./el éc.	4WD	1969	228	310	03.22-	■	
T8 Plug-in Hybrid Polestar AWD		Gasol./el éc.	4WD	1969	246	334	05.19-	■	
T6 Plug-in Hybrid AWD (B 4204 T46)	Rim 17, RC01,RC02	Gasol./el éc.	4WD	1969	250	340	03.19-12.22	■	
T6 Plug-in Hybrid AWD		Gasol./el éc.	4WD	1969	257	349	05.22-	■	
T8 Plug-in Hybrid AWD (B 4204 T34)	Rim 17, RC01,RC02	Gasol./el éc.	4WD	1969	287	390	02.18-12.22	■	
T8 Plug-in Hybrid Polestar AWD (B 4204 T48)	Rim 17, RC01,RC02	Gasol./el éc.	4WD	1969	298	405	05.19-12.22	■	
T8 Recharge AWD		Gasol./el éc.	4WD	1969	317	431	01.23-	■	
T8 Plug-in Hybrid AWD	RC01, Rim 17	Gasol./el éc.	4WD	1969	335	455	05.22-	■	

LISTA DE APLICACIONES - BUYERS GUIDE

B4 Mild-Hybrid	Rim 17, RC01	Diesel/el éc.	FWD	1969	145	197	03.20-	■	
D3	Rim 17, RC01,RC02	Diesel	FWD	1969	110	150	02.18-12.21	■	
D3 AWD (D 4204 T4)	Rim 17, RC01,RC02	Diesel	4WD	1969	110	150	09.18-12.21	■	
D4 (D 4204 T14)	Rim 17, RC01,RC02	Diesel	FWD	1969	140	190	02.18-12.21	■	
D4 AWD (D 4204 T14)	Rim 17, RC01,RC02	Diesel	4WD	1969	140	190	09.18-12.21	■	
D4 Polestar (D 4204 T14)	Rim 17, RC01,RC02	Diesel	FWD	1969	147	200	02.18-12.21	■	
D4 Polestar		Diesel	FWD	1969	147	200	02.18-	■	
D4 Polestar AWD (D 4204 T14)	Rim 17, RC01,RC02	Diesel	4WD	1969	147	200	02.18-12.21	■	
V90 (236) 03.16-							Estate (Executive car-E Segment)		
T5 AWD (B 4204 T23)	Rim 17, Eq.V_ RC01,RC02, ch- 24813	Gasolina	4WD	1969	183	249	03.16-12.21	■	
T5 AWD (B 4204 T26)	Rim 17, Eq.V_ RC01,RC02, ch- 24813	Gasolina	4WD	1969	184	250	10.17-	■	
T5 Polestar AWD (B 4204 T26)	Rim 17, RC01,RC02	Gasolina	4WD	1969	186	253	10.17-	■	
T5 AWD (B 4204 T23)	Rim 17, Eq.V_ RC01,RC02, ch- 24813	Gasolina	4WD	1969	187	254	10.16-12.18	■	
T5 Drive-E Polestar AWD		Gasolina	4WD	1969	192	261	10.16-12.18	■	
T6 AWD		Gasolina	4WD	1969	228	310	10.17-	■	
T6 AWD		Gasolina	4WD	1969	235	320	10.16-	■	
T6 Polestar AWD		Gasolina	4WD	1969	240	326	10.17-	■	
T6 Polestar AWD (B 4204 T27)	Rim 17, RC01,RC02	Gasolina	4WD	1969	246	334	10.16-12.17	■	
B5 Mild-Hybrid		Gasol./el éc.	4WD	1969	183	249	03.22-	■	
B5 Mild Hybrid AWD (B 420 T2)	Rim 17, RC01,RC02	Gasol./el éc.	4WD	1969	184	250	03.20-	■	
B6 Mild-Hybrid AWD		Gasol./el éc.	4WD	1969	220	299	03.20-	■	
B4 Mild-Hybrid AWD		Diesel/el éc.	4WD	1969	145	197	10.20-	■	
B5 Mild Hybrid AWD		Diesel/el éc.	4WD	1969	173	235	12.20-	■	
B5 Mild Hybrid Polestar AWD		Diesel/el éc.	4WD	1969	180	245	11.21-	■	
D4 AWD (D 4204 T7)	Rim 17, RC01,RC02	Diesel	4WD	1969	120	163	09.18-	■	
D4 AWD		Diesel	4WD	1969	140	190	10.16-	■	
Polestar AWD		Diesel	4WD	1969	147	200	10.16-	■	
D5 AWD		Diesel	4WD	1969	173	235	10.16-	■	
D5 Polestar AWD		Diesel	4WD	1969	176	239	10.16-	■	
V90 II (235) 03.16-							Estate (Executive car-E Segment)		
2.0 T4 AWD	Rim 17, Eq.V_ RC02, ch- 48309	Gasolina	4WD	1969	140	190	10.17-	■	
T4 (B 4204 T31)	Rim 17, Eq.V_ RC01,RC02, ch- 48309	Gasolina	FWD	1969	140	190	10.17-12.21	■	
T4 Polestar (B 4204 T31P)		Gasolina	FWD	1969	154	209	10.17-	■	
T4 Polestar (B 4204 T31)	Rim 17, RC01,RC02	Gasolina	FWD	1969	155	210	06.19-12.21	■	
T5 (B 4204 T23)	Eq.V_ RC01,RC02, ch- 48309, Rim 17	Gasolina	FWD	1969	184	250	10.17-12.21	■	
T5 (B 4204 T26)	Eq.V_ RC01,RC02, ch- 48309, Rim 17	Gasolina	FWD	1969	184	250	10.17-12.21	■	
T5 Polestar (B 4204 T26)	Rim 17, RC01,RC02	Gasolina	FWD	1969	186	253	10.17-03.20	■	
T5 (B 4204 T23)	Rim 17, Eq.V_ RC01,RC02, ch- 48309	Gasolina	FWD	1969	187	254	03.16-12.18	■	
T5 Drive-E Polestar AWD		Gasolina	4WD	1969	192	261	03.16-	■	
T6 AWD (B 4204 T29)	Rim 17, Eq.V_ RC01,RC02, ch- 24813	Gasolina	4WD	1969	228	310	10.17-12.21	■	
T6 AWD (B 4204 T27)	Rim 17, Eq.V_ RC01,RC02, ch- 24813	Gasolina	4WD	1969	235	320	03.16-12.18	■	
T6 Polestar AWD (B 4204 T29)	Rim 17, RC01,RC02	Gasolina	4WD	1969	240	326	10.17-12.21	■	
B4 Mild-Hybrid	Rim 17, RC01,RC02	Gasol./el éc.	FWD	1969	145	197	03.20-	■	

LISTA DE APLICACIONES - BUYERS GUIDE

B5 Mild-Hybrid	Rim 17, RC01,RC02	Gasol./el éc.	FWD	1969	184	250	03.20-	■
T6 Plug-in Hybrid AWD		Gasol./el éc.	4WD	1969	186	253	04.21-	■
B5 Mild-Hybrid		Gasol./el éc.	FWD	1969	196	266	03.20-	■
B6 Mild-Hybrid AWD (B 420 T)	Rim 17, RC01,RC02	Gasol./el éc.	4WD	1969	220	299	03.20-	■
T8 Plug-in Hybrid AWD	Rim 17, RC01	Gasol./el éc.	4WD	1969	228	310	03.22-	■
T8 Plug-in Hybrid Polestar AWD (B 4204 T34)	Rim 17, RC01,RC02	Gasol./el éc.	4WD	1969	233	317	05.18-12.22	■
T8 Plug-in Hybrid Polestar AWD (B 4204 T35)	Rim 17, RC01,RC02	Gasol./el éc.	4WD	1969	246	334	03.16-12.18	■
T6 Plug-in-Hybrid AWD (B 4204 T46)	Rim 17, RC01,RC02	Gasol./el éc.	4WD	1969	250	340	06.20-12.22	■
B6 Mild-Hybrid AWD (B 420 T)	Rim 17, RC01,RC02	Gasol./el éc.	4WD	1969	256	348	03.20-	■
T6 Plug-in-Hybrid AWD		Gasol./el éc.	4WD	1969	257	349	01.22-	■
T8 Hybrid AWD (B 4204 T34)	Rim 17, RC01,RC02	Gasol./el éc.	4WD	1969	287	390	04.18-12.22	■
T8 Plug-in-Hybrid AWD (B 4204 T34)	Rim 17, RC01,RC02	Gasol./el éc.	4WD	1969	287	390	06.20-	■
T8 Plug-in-Hybrid AWD (B 4204 T35)	Rim 17, Eq.V_ RC01,RC02, ch- 48309	Gasol./el éc.	4WD	1969	299	407	03.16-12.18	■
T8 Recharge AWD		Gasol./el éc.	4WD	1969	317	431	01.23-	■
T8 Plug-in Hybrid AWD	Rim 17, RC01	Gasol./el éc.	4WD	1969	335	455	05.22-	■
B4 Mild-Hybrid		Diesel/el éc.	FWD	1969	145	197	10.20-	■
B4 Mild-Hybrid AWD		Diesel/el éc.	4WD	1969	145	197	10.20-	■
B5 Mild Hybrid AWD		Diesel/el éc.	4WD	1969	173	235	12.20-	■
B5 Mild Hybrid Polestar AWD		Diesel/el éc.	4WD	1969	180	245	11.21-	■
D3 (D 4204 T16)	Rim 17, Eq.V_ RC01,RC02, ch- 48309	Diesel	FWD	1969	110	150	03.16-12.21	■
D3 (D 4204 T9)	Rim 17, Eq.V_ RC01,RC02, ch- 48309	Diesel	FWD	1969	110	150	03.16-12.21	■
D3 AWD (D 4204 T4)	Rim 17, Eq.V_ RC01,RC02, ch- 48309	Diesel	4WD	1969	110	150	03.16-12.21	■
D4 (D 4204 T7)	Rim 17, RC01,RC02	Diesel	FWD	1969	120	163	09.18-12.21	■
D4 (D 4204 T14)	Rim 17, Eq.V_ RC01,RC02, ch- 48309	Diesel	FWD	1969	140	190	03.16-12.21	■
D4 AWD (D 4204 T14)	Rim 17, Eq.V_ RC01,RC02, ch- 24813	Diesel	4WD	1969	140	190	03.16-12.21	■
D4 Polestar	Rim 17, RC01,RC02	Diesel	FWD	1969	147	200	10.16-12.21	■
Polestar AWD (D 4204 T14)	Rim 17, RC01,RC02	Diesel	4WD	1969	147	200	10.16-12.21	■
D5 AWD (D 4204 T23)	Rim 17, Eq.V_ RC01,RC02, ch- 24813	Diesel	4WD	1969	173	235	03.16-12.21	■
D5 Polestar AWD (D 4204 T23)	Rim 17, RC01,RC02	Diesel	4WD	1969	176	239	10.16-12.21	■
XC40 (536) 10.17-								SUV (Compact SUV-J Segment)
Recharge		Eléctrico	FWD		170	231	02.22-12.22	■
Recharge		Eléctrico	RWD		175	238	01.23-	■
Recharge		Eléctrico	RWD		185	252	01.23-	■
Recharge AWD		Eléctrico	4WD		300	408	11.20-	■
Recharge AWD		Eléctrico	4WD		300	408	11.20-	■
XC60 II (246) 03.17-								SUV (Compact SUV-J Segment)
T4 (B 4204 T31)	Rim 17, RC01,RC02	Gasolina	FWD	1969	140	190	09.18-12.21	■
T4 Polestar (B 4204 T31P)	Rim 17, RC01,RC02	Gasolina	FWD	1969	155	210	07.19-12.21	■
T5 AWD (B 4204 T20)	Rim 17, RC01,RC02	Gasolina	4WD	1969	183	249	10.17-12.21	■

LISTA DE APLICACIONES - BUYERS GUIDE

T5 (B 4204 T26)	Rim 17, Eq.V_ RC01,RC02	Gasolina	FWD	1969	184	250	10.17-12.20	■
T5 AWD (B 4204 T26)	Rim 17, Eq.V_ RC01,RC02	Gasolina	4WD	1969	184	250	10.17-12.20	■
T5 Polestar (B 4204 T26P)	Rim 17, RC01,RC02	Gasolina	FWD	1969	186	253	05.19-12.20	■
T5 Polestar AWD (B 4204 T26P)	Rim 17, RC01,RC02	Gasolina	4WD	1969	186	253	05.19-12.20	■
T5 (B 4204 T23)	Rim 17, Eq.V_ RC01,RC02	Gasolina	FWD	1969	187	254	03.17-	■
T5 AWD (B 4204 T23)	Rim 17, Eq.V_ RC01,RC02	Gasolina	4WD	1969	187	254	03.17-12.21	■
T5 Polestar AWD (B 4204 T23)	Rim 17, RC01,RC02	Gasolina	4WD	1969	192	261	03.17-12.18	■
T6 AWD (B 4204 T29)	Rim 17, Eq.V_ RC01,RC02	Gasolina	4WD	1969	228	310	10.17-12.21	■
T6 AWD (B 4204 T27)	Rim 17, Eq.V_ RC01,RC02	Gasolina	4WD	1969	235	320	03.17-12.21	■
T6 Polestar AWD (B 4204 T29P)	Rim 17, RC01,RC02	Gasolina	4WD	1969	240	326	12.18-08.19	■
T6 Polestar AWD (B 4204 T27)	Rim 17, RC01,RC02	Gasolina	4WD	1969	246	334	03.17-12.21	■
2.0 T8 Drive-E AWD		Gasolina	4WD	1969	298	405	05.19-	■
B4 Mild-Hybrid (B 420 T6)	Rim 17, RC01,RC02	Gasol./el éc.	FWD	1969	145	197	09.19-	■
2.0 B5 Mild-Hybrid (B 420 T10)	RC01, Rim 17	Gasol./el éc.	FWD	1969	183	249	03.22-	■
2.0 B5 Mild-Hybrid AWD (B 420 T10)	RC01, Rim 17	Gasol./el éc.	4WD	1969	183	249	03.22-	■
B5 Mild-Hybrid (B 420 T2)	Rim 17, RC01,RC02	Gasol./el éc.	FWD	1969	184	250	01.20-	■
B5 Mild-Hybrid AWD (B 420 T2)	Rim 17, RC01,RC02	Gasol./el éc.	4WD	1969	184	250	01.20-	■
B4 Plug-In Hybrid AWD	RC01, Rim 17, Performance brakes	Gasol./el éc.	4WD	1969	186	253	01.21-	■
B6 Mild-Hybrid AWD (B 420 T)	Rim 17, RC01,RC02	Gasol./el éc.	4WD	1969	220	299	03.20-	■
T8 Hybrid AWD (B 4204 T35)	Rim 17, RC01,RC02, Performance brakes	Gasol./el éc.	4WD	1969	246	334	03.17-12.22	■
T8 Hybrid Polestar AWD		Gasol./el éc.	4WD	1969	246	334	05.21-12.22	■
B4 Plug-In Hybrid	Rim 17, RC01, Performance brakes	Gasol./el éc.	FWD	1969	250	340	01.21-12.22	■
B4 Plug-In Hybrid AWD	RC01, Rim 17, Performance brakes	Gasol./el éc.	4WD	1969	250	340	01.21-12.22	■
T6 Plug-in Hybrid AWD	RC01, Rim 17, Performance brakes	Gasol./el éc.	4WD	1969	250	340	04.21-	■
T6 Plug-in Hybrid AWD		Gasol./el éc.	4WD	1969	257	349	01.22-	■
T8 Hybrid AWD (B 4204 T34)	Rim 17, Eq.V_ RC01,RC02, Performance brakes	Gasol./el éc.	4WD	1969	287	390	02.18-12.22	■
T6 Plug-in Hybrid AWD		Gasol./el éc.	4WD	1969	293	398	04.22-	■
T8 Hybrid AWD		Gasol./el éc.	4WD	1969	298	405	09.17-12.22	■
T8 Hybrid Polestar AWD (B 4204 T34)	Rim 17, RC01,RC02, Performance brakes	Gasol./el éc.	4WD	1969	298	405	01.19-12.22	■
T8 Hybrid Polestar AWD (B 4204 T48)	Rim 17, RC01,RC02, Performance brakes	Gasol./el éc.	4WD	1969	298	405	01.19-12.22	■
T8 Hybrid AWD (B 4204 T35)	Rim 17, Eq.V_ RC01,RC02, Performance brakes	Gasol./el éc.	4WD	1969	299	407	03.17-12.22	■
T8 Hybrid AWD	RC01, Rim 17, Performance brakes	Gasol./el éc.	4WD	1969	335	456	01.22-	■
B4 Mild-Hybrid	RC01,RC02, Rim 17	Diesel/el éc.	FWD	1969	145	197	05.19-	■
B4 Mild-Hybrid AWD	Rim 17, RC01,RC02	Diesel/el éc.	4WD	1969	145	197	04.19-	■
B5 Mild-Hybrid AWD (D 420 T2)	Rim 17, RC01,RC02	Diesel/el éc.	4WD	1969	173	235	04.19-	■
B5 Mild-Hybrid Polestar AWD		Diesel/el éc.	4WD	1969	180	245	01.21-	■
D3 (D 4204 T4)	Rim 17, Eq.V_ RC01,RC02	Diesel	FWD	1969	110	150	03.17-12.21	■
D4 (D 4204 T7)	Rim 17, RC01,RC02	Diesel	FWD	1969	120	163	12.18-12.21	■
D4 (D 4204 T14)	Rim 17, Eq.V_ RC01,RC02	Diesel	FWD	1969	140	190	03.17-12.21	■
D4 AWD (D 4204 T14)	Rim 17, Eq.V_ RC01,RC02	Diesel	4WD	1969	140	190	03.17-12.21	■
D4 Polestar (D 4204 T14)	Rim 17, RC01,RC02	Diesel	FWD	1969	147	200	12.18-06.20	■

LISTA DE APLICACIONES - BUYERS GUIDE

D4 Polestar AWD (D 4204 T14)	Rim 17, RC01,RC02	Diesel	4WD	1969	147	200	01.19-12.21	■
D5 AWD (D 4204 T23)	Rim 17, Eq.V_ RC01,RC02	Diesel	4WD	1969	173	235	03.17-12.22	■
D5 Polestar AWD (D 4204 T23)	Rim 17, RC01,RC02	Diesel	4WD	1969	177	240	10.18-03.20	■
XC90 II (256) 09.14-				SUV (Luxury Crossover SUV-J Segment)				
T5 Drive-E Polestar AWD (B 4204 T26)	RC01,RC02, Syst. 17", 18"	Gasolina	4WD	1969	176	239	10.17-12.20	■
T5 AWD (B 4204 T23)	Eq.V_ RC01,RC02, elec.brake detention, Syst. 17", 18"	Gasolina	4WD	1969	183	249	02.16-12.18	■
T5 AWD (B 4204 T26)	Eq.V_ RC01,RC02, elec.brake detention, Syst. 17", 18"	Gasolina	4WD	1969	184	250	10.17-12.20	■
T5 Polestar AWD (B 4204 T26P)	RC01,RC02, Syst. 17", 18"	Gasolina	4WD	1969	186	253	07.19-12.20	■
T5	Syst. 17", 18"	Gasolina	FWD	1969	187	254	01.16-12.16	■
T5 AWD (B 4204 T23)	Eq.V_ RC01,RC02, elec.brake detention, Syst. 17", 18"	Gasolina	4WD	1969	187	254	06.15-12.21	■
T5 Drive-E Polestar AWD (B 4204 T23)	RC01,RC02, Syst. 17", 18"	Gasolina	4WD	1969	192	261	01.17-12.21	■
T6 AWD (B 4204 T29)	Eq.V_ RC01,RC02, elec.brake detention, Syst. 17", 18"	Gasolina	4WD	1969	228	310	10.17-12.21	■
T6 AWD (B 4204 T27)	Eq.V_ RC01,RC02, elec.brake detention, Syst. 17", 18"	Gasolina	4WD	1969	235	320	09.14-12.18	■
T6 Polestar AWD (B 4204 T29P)	RC01,RC02, Syst. 17", 18"	Gasolina	4WD	1969	240	326	10.17-12.21	■
T6 Polestar AWD (B 4204 T27)	RC01,RC02, Syst. 17", 18"	Gasolina	4WD	1969	246	334	01.17-12.21	■
B5 Mild-Hybrid	RC01	Gasol./el éc.	FWD	1969	183	249	03.22-	■
B5 Mild-Hybrid	RC01	Gasol./el éc.	FWD	1969	183	249	03.22-	■
B5 Mild-Hybrid AWD	RC01	Gasol./el éc.	4WD	1969	183	249	03.22-	■
B5 Mild-Hybrid AWD	RC01	Gasol./el éc.	4WD	1969	183	249	03.22-	■
B5 Mild-Hybrid	RC01	Gasol./el éc.	FWD	1969	184	250	01.22-	■
B5 Mild Hybrid AWD (B 4204 T26)	RC01,RC02, Syst. 17", 18"	Gasol./el éc.	4WD	1969	184	250	01.20-	■
B6 Mild Hybrid AWD (B 420 T)	RC01,RC02, Syst. 17", 18"	Gasol./el éc.	4WD	1969	220	299	03.20-	■
2.0 T8 Hybrid AWD (B 4204 T34)	RC01,RC02, Syst. 17", 18"	Gasol./el éc.	4WD	1969	223	303	04.18-	■
T8 Plug-in Hybrid AWD	RC01	Gasol./el éc.	4WD	1969	228	310	03.22-	■
T8 Hybrid Polestar AWD (B 4204 T34)	RC01,RC02, Syst. 17", 18"	Gasol./el éc.	4WD	1969	233	317	01.19-12.22	■
T8 Plug-in Hybrid Polestar AWD (B 4204 T35)	RC01,RC02, Syst. 17", 18"	Gasol./el éc.	4WD	1969	246	334	06.15-12.22	■
T8 Twin Engine AWD	RC01,RC02, Syst. 17", 18"	Gasol./el éc.	4WD	1969	287	390	11.18-12.22	■
T8 Hybrid AWD (B 4204 T35)	Eq.V_ RC01,RC02, elec.brake detention, Syst. 17", 18"	Gasol./el éc.	4WD	1969	298	405	06.15-12.22	■
T8 Hybrid AWD (B 4204 T28)	Eq.V_ RC01,RC02, elec.brake detention, Syst. 17", 18"	Gasol./el éc.	4WD	1969	299	407	06.15-07.22	■
T8 Hybrid AWD (B 4204 T35)	Eq.V_ RC01,RC02, elec.brake detention, Syst. 17", 18"	Gasol./el éc.	4WD	1969	299	407	06.15-07.22	■
T8 Hybrid AWD (B1APHEV)	Eq.V_ RC01,RC02, elec.brake detention, Syst. 17", 18"	Gasol./el éc.	4WD	1969	299	407	06.15-07.22	■
T8 Hybrid Polestar AWD		Gasol./el éc.	4WD	1969	310	421	02.20-12.22	■
T8 Plug-in Hybrid AWD	RC01	Gasol./el éc.	4WD	1969	335	455	05.22-	■
B5 Mild-Hybrid AWD (D 420 T2)	RC01,RC02, Syst. 17", 18"	Diesel/el éc.	4WD	1969	173	235	04.19-	■
B5 Mild-Hybrid Polestar AWD		Diesel/el éc.	4WD	1969	180	245	01.21-	■
D4 (D 4204 T14)	Eq.V_ RC01,RC02, elec.brake detention, Syst. 17", 18"	Diesel	FWD	1969	140	190	06.15-12.18	■
D4 AWD (D 4204 T6)	Eq.V_ RC01,RC02, elec.brake detention, Syst. 17", 18"	Diesel	4WD	1969	140	190	10.15-12.18	■
D5 AWD (D 4204 T11)	Eq.V_ RC01,RC02, elec.brake detention, Syst. 17", 18"	Diesel	4WD	1969	165	224	09.14-12.16	■

LISTA DE APLICACIONES - BUYERS GUIDE

D5 AWD (D 4204 T23)	Eq.V_ RC01,RC02, elec.brake detention, Syst. 17", 18"	Diesel	4WD	1969	173	235	03.16-12.19	■
D5 DRIVe Polestar AWD (D 4204 T23)	RC01,RC02, Syst. 17", 18"	Diesel	4WD	1969	176	239	03.16-12.21	■
D5 Polestar AWD (D 4204 T23)	RC01,RC02, Syst. 17", 18"	Diesel	4WD	1969	177	240	10.18-12.21	■
VOLVO ASIA								
S60 12.19-					Saloon (Compact executive car-D Segment)			
T3		Gasolina	FWD	1969	120	163	12.19-	■
T4	Rim 17, Eq.V_ RC01,RC02	Gasolina	FWD	1969	140	190	12.19-	■
T5		Gasolina	FWD	1969	184	250	12.19-	■
T8 PHEV AWD	Rim 17, Eq.V_ RC01,RC02	Gasol./el éc.	4WD	1969	223	303	12.19-	■
T8 PHEV AWD		Gasol./el éc.	4WD	1969	288	392	12.19-	■
S90 12.16-					Saloon ()			
T5 (B4204T26)	Rim 17	Gasolina	FWD	1969	184	250	06.20-	■
2.0 T5		Gasolina	FWD	1969	187	254	12.16-12.20	■
B5 Mild-Híbrid (B 420 T2)	Rim 17	Gasol./el éc.	FWD	1969	184	250	08.20-	■
T8 Plug-in-Híbrid AWD (B4204T34)	Rim 17	Gasol./el éc.	4WD	1969	223	303	06.20-	■
2.0 T8 Plug-in-Híbrid AWD		Gasol./el éc.	4WD	1969	235	320	06.18-	■
T8 Plug-in-Híbrid AWD (B4204T34,ERAD2)	Rim 17	Gasol./el éc.	4WD	1969	288	392	06.20-	■
T8 Plug-in-Híbrid AWD	Rim 17	Gasol./el éc.	4WD	1969	300	408	06.18-	■
XC60 II 12.17-					SUV (Compact SUV-J Segment)			
T5 AWD (B4204Y26)	Rim 17	Gasolina	4WD	1969	184	250	12.19-	■
2.0 T5 AWD	Rim 17	Gasolina	4WD	1969	187	254	12.17-	■
2.0 T8 Plug-in Hybrid A las 4 ruedas	Rim 17	Gasol./el éc.	4WD	1969	235	320	06.18-	■