

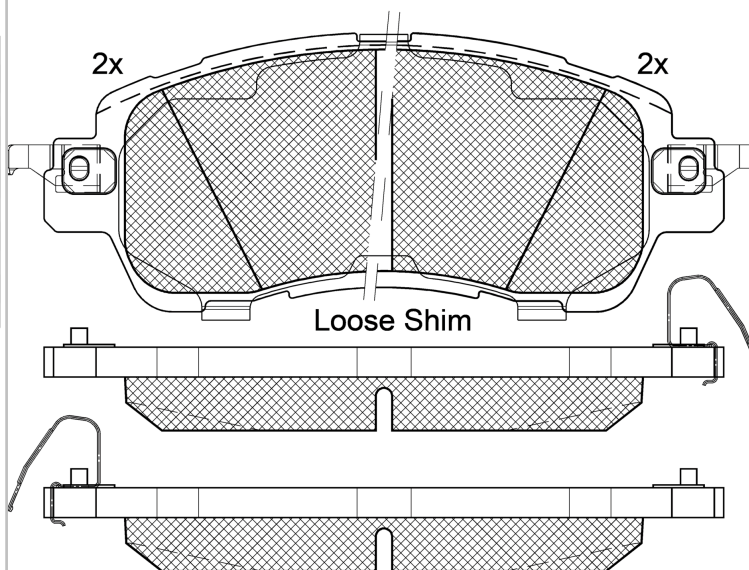
# LISTA DE APLICACIONES - BUYERS GUIDE

## 182235



Qty: 300      Weight: 1.245

O.E.M.	MAKE
04465-WB001	SCION
DAY4-33-28ZA	MAZDA
DAY5-33-28ZA	MAZDA
DAY6-33-28Z	MAZDA
DAY6-33-28ZA	MAZDA
DBY1-33-28Z	MAZDA
DBY1-33-28ZA	MAZDA
DHY8-33-28Z	MAZDA
DHY83328Z9C	MAZDA
DHY9-33-28Z	MAZDA



## 182235

E 9 90R-02A0111/4419



Trw

125.65x51.5x16

WVA	FMSI
22235	D1852-9081
22236	
MAKE	
MAZDA	
NISSAN	
SCION	
TOYOTA	



Trac.	CC	Kw	CV
-------	----	----	----



Front / Rear

### MAZDA

2 IV / DEMIO (DL, DJ) 08.14-				Hatchback (Supermini car-B Segment)				
1.3		Gasolina	FWD	1298	68	92	11.14-	■
1.3 (DJ3FS)		Gasolina	FWD	1298	68	92	11.14-	■
1.5 (P5X0)	veh.left direction, veh.right direction	Gasolina	FWD	1496	55	75	08.14-	■
1.5 (P5X2)	veh.left direction, veh.right direction	Gasolina	FWD	1496	55	75	08.14-	■
1.5 (P5Y5)	veh.left direction, veh.right direction	Gasolina	FWD	1496	55	75	08.14-	■
1.5 (P5Y8)	veh.left direction, veh.right direction	Gasolina	FWD	1496	55	75	08.14-	■
1.5 (P5Z7)	veh.left direction, veh.right direction	Gasolina	FWD	1496	55	75	08.14-	■
1.5 (P5Z8)	veh.left direction, veh.right direction	Gasolina	FWD	1496	55	75	08.14-	■
1.5 (P5Z9)	veh.left direction, veh.right direction	Gasolina	FWD	1496	55	75	08.14-	■
1.5 SKYACTIV-G (P5X0)	veh.left direction, veh.right direction	Gasolina	FWD	1496	66	90	08.14-	■
1.5 SKYACTIV-G (P5X2)	veh.left direction, veh.right direction	Gasolina	FWD	1496	66	90	08.14-	■
1.5 SKYACTIV-G (P5Y5)	veh.left direction, veh.right direction	Gasolina	FWD	1496	66	90	08.14-	■
1.5 SKYACTIV-G (P5Y6)	veh.left direction, veh.right direction	Gasolina	FWD	1496	66	90	08.14-	■
1.5 SKYACTIV-G (P5Y8)	veh.left direction, veh.right direction	Gasolina	FWD	1496	66	90	08.14-	■
1.5 SKYACTIV-G (P5Z7)	veh.left direction, veh.right direction	Gasolina	FWD	1496	66	90	08.14-	■
1.5 (DJ2HA) (P5Y4)		Gasolina	FWD	1496	79	107	11.14-	■
1.5 (DJ2HA) (P5Y6)		Gasolina	FWD	1496	79	107	11.14-	■

# LISTA DE APLICACIONES - BUYERS GUIDE

1.5 (DJLFS, DJ2HA) (P5-VPS)		Gasolina	FWD	1496	81	110	11.14-	■	
1.5 (DJLFS, DJ2HA) (P5Y4)		Gasolina	FWD	1496	81	110	11.14-	■	
1.5 (DJLFS, DJ2HA) (P5Y6)		Gasolina	FWD	1496	81	110	11.14-	■	
1.5 SKYACTIV-G (DJLFS) (P5X0)	veh.left direction, veh.right direction	Gasolina	FWD	1496	85	115	08.14-	■	
1.5 SKYACTIV-G (DJLFS) (P5X2)	veh.left direction, veh.right direction	Gasolina	FWD	1496	85	115	08.14-	■	
1.5 SKYACTIV-G (DJLFS) (P5Y5)	veh.left direction, veh.right direction	Gasolina	FWD	1496	85	115	08.14-	■	
1.5 SKYACTIV-G (DJLFS) (P5Z3)	veh.left direction, veh.right direction	Gasolina	FWD	1496	85	115	08.14-	■	
1.5 SKYACTIV-G (DJLFS) (P5Z7)	veh.left direction, veh.right direction	Gasolina	FWD	1496	85	115	08.14-	■	
1.5 SKYACTIV-G (DJLFS) (P5Z8)	veh.left direction, veh.right direction	Gasolina	FWD	1496	85	115	08.14-	■	
1.5 SKYACTIV-G (DJLFS) (P5Z9)	veh.left direction, veh.right direction	Gasolina	FWD	1496	85	115	08.14-	■	
1.5 SKYACTIV-G M Hybrid (BP6S) (P5XB)		Gasol./el éc.	FWD	1496	55	75	08.19-	■	
1.5 SKYACTIV-G M Hybrid (BP6S) (P5XC)		Gasol./el éc.	FWD	1496	55	75	08.19-	■	
1.5 SKYACTIV-G M Hybrid (BP6S) (P5XB)		Gasol./el éc.	FWD	1496	66	90	08.19-	■	
1.5 SKYACTIV-G M Hybrid (BP6S) (P5XC)		Gasol./el éc.	FWD	1496	66	90	08.19-	■	
1.5 E-SKYACTIV G		Gasol./el éc.	FWD	1496	85	116	10.21-	■	
1.5 D (G4NC)		Diesel	RWD	1498	77	105	11.14-	■	
1.5 D (DJ5FS) (S5Y2)		Diesel	FWD	1499	77	105	08.14-	■	
1.5 D (DJ5FS) (S5Y5)		Diesel	FWD	1499	77	105	08.14-	■	
1.5 D (DJ5FS) (S5Y6)		Diesel	FWD	1499	77	105	08.14-	■	
1.5 D (DJ5FS) (S5Y7)		Diesel	FWD	1499	77	105	08.14-	■	
1.5 D (DJ5FS) (S5Y8)		Diesel	FWD	1499	77	105	08.14-	■	
<b>2 IV / DEMIO (DL) 01.15-</b>					<b>Saloon (Supermini car-B Segment)</b>				
1.3		Gasolina	FWD	1299	69	93	01.15-	■	
1.5 (DL2S)		Gasolina	FWD	1496	79	107	08.15-	■	
1.5 (DL2S) (P5Y4)		Gasolina	FWD	1496	81	110	01.15-	■	
1.5 (DL2S) (P5Y6)		Gasolina	FWD	1496	81	110	01.15-	■	
1.5 (P5Y5)		Gasolina	FWD	1496	85	115	01.15-	■	
1.5 D		Diesel	RWD	1499	77	105	04.15-	■	
<b>NISSAN</b>									
<b>ALMERA III (N17) 09.11-</b>					<b>Saloon (Compact car-C Segment)</b>				
1.0 Flex		Gasol./Et anol	FWD	999	57	77	02.15-08.21	■	
<b>KICKS (P15_, PP15_) 01.16-</b>					<b>SUV (Mini SUV-J Segment)</b>				
1.5		Gasolina	FWD	1498	78	106	01.19-	■	
1.6 (HR16DE)		Gasolina	FWD	1598	88	120	04.16-	■	
1.6 Flex		Gasol./Et anol	FWD	1598	84	114	08.16-	■	
1.2 EV Hybrid		Gasol./el éc.	FWD	1198	60	82	05.20-	■	
1.5 D		Diesel	FWD	1461	81	110	01.19-05.20	■	
<b>VERSA II / SUNNY (N17_) 08.11-</b>					<b>Saloon (Compact car-C Segment)</b>				
1.5 (HR15DE)		Gasolina	FWD	1498	73	99	08.11-	■	
1.6		Gasolina	FWD	1598	78	106	08.11-	■	
1.8		Gasolina	FWD	1798	96	131	08.12-	■	
1.5 dCi		Diesel	FWD	1461	63	86	08.11-05.20	■	
<b>SCION</b>									

# LISTA DE APLICACIONES - BUYERS GUIDE

<b>iA 10.15-</b>					<b>Saloon (Supermini car-B Segment)</b>			
1.5		Gasolina	FWD	1496	79	107	10.15-	■
1.5		Gasolina	FWD	1500	79	106	10.15-	■
<b>TOYOTA</b>								
<b>YARIS III / VITZ (U.S.A.) 09.11-</b>					<b>Saloon (Supermini car-B Segment)</b>			
1.5	01/16-	Gasolina	FWD	1500	79	106	09.11-	■
<b>YARIS R III / iA / VITZ (DL2S_) 08.15-</b>					<b>Saloon (Supermini car-B Segment)</b>			
1.5 (DL2S_) (P5Y4)		Gasolina	FWD	1496	78	106	08.15-	■
1.5 (DL2S_) (P5Y6)		Gasolina	FWD	1496	78	106	08.15-	■
1.5 (DL2S_)		Gasolina	FWD	1496	79	107	08.15-	■