

LISTA DE APLICACIONES - BUYERS GUIDE

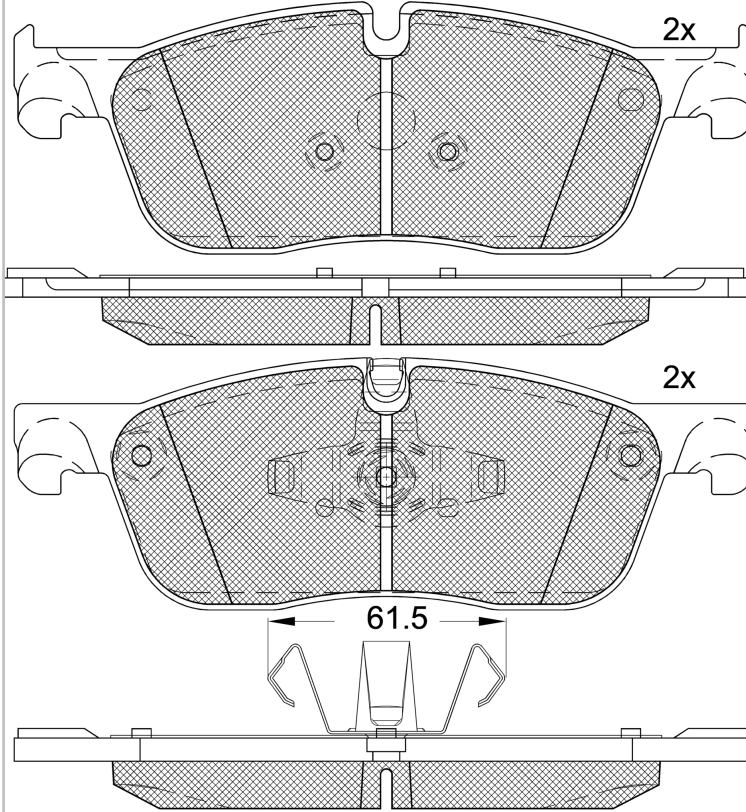
182236



Qty: 300

Weight: 2.540

O.E.M.	MAKE
C2C 41984	JAGUAR
FK72-2K021-CA	JAGUAR
J9C17007	JAGUAR
J9C18522	JAGUAR
J9C33357	JAGUAR
JPC33357	JAGUAR
LR-061373	LAND ROVER
LR-072681	LAND ROVER
LR-118006	LAND ROVER
LR-128263	JAGUAR
LR-160435	LAND ROVER
LR160486	LAND ROVER
LR160540	LAND ROVER
T2R69707	JAGUAR



182236



E 9 90R-02A0111/4567

Ate - Teves

193.1x65.5x19

WVA	FMSI
22145	D1838-9067
22146	
MAKE	
JAGUAR	
LAND ROVER	
LAND ROVER (CHERY)	



Trac.	CC	Kw	CV



Front / Rear

JAGUAR

E-PACE (X540) 09.17-

SUV (Compact SUV-J Segment)

Model	Rim	Syst.	Fuel	Trac.	CC	Kw	CV	Date	
2.0 P200 AWD (PT204)	Rim 17, -ch K1Z35516,	Syst. 17", discØ 325	Gasolina	4WD	1997	147	200	08.18-	■
2.0 P200 AWD (PT204)	Rim 17, -ch K1Z35516,	Syst. 17", discØ 325	Gasolina	4WD	1997	183	249	09.17-	■
2.0 AWD (PT204)	Rim 17, -ch K1Z35516,	Syst. 17", discØ 325	Gasolina	4WD	1997	221	300	09.17-	■
2.0 P200 MHEV FLEX AWD			Gasol./etanol/eléc	4WD	1997	147	200	11.20-	■
2.0 Flexfuel AWD	Syst. 17"		Gasol./Etanol	4WD	1997	183	249	09.17-	■
1.5 P160 MHEV	Rim 17, discØ 325		Gasol./eléc	FWD	1497	118	160	11.20-	■
1.5 P300e Plug-in Hybrid AWD	Rim 17, discØ 325		Gasol./eléc	4WD	1497	147	200	11.20-	■
1.5 P270e Plug-in Hybrid AWD			Gasol./eléc	4WD	1497	198	269	04.24-	■
1.5 P300e Plug-in Hybrid AWD	Rim 17, discØ 325		Gasol./eléc	4WD	1497	227	309	11.20-	■
2.0 P200 MHEV AWD	Rim 17, discØ 325		Gasol./eléc	4WD	1997	147	200	11.20-	■
2.0 P250 MHEV AWD	Rim 17, discØ 325		Gasol./eléc	4WD	1997	184	250	11.20-	■
2.0 P300 MHEV AWD	Rim 17, discØ 325		Gasol./eléc	4WD	1997	221	300	11.20-	■
2.0 D165 MHEV AWD	Rim 17, discØ 325		Diesel/eléc	4WD	1997	120	163	11.20-	■
2.0 D200 MHEV AWD	Rim 17, discØ 325		Diesel/eléc	4WD	1997	150	204	11.20-	■
2.0 D165	Rim 17, discØ 325		Diesel	FWD	1997	120	163	11.20-	■
2.0 D150 (204DTD)	Rim 17, -ch K1Z35516,	Syst. 17", discØ 325	Diesel	FWD	1999	110	150	09.17-	■

LISTA DE APLICACIONES - BUYERS GUIDE

2.0 D150 AWD (204DTD)	Rim 17, -ch K1Z35516, Syst. 17", discØ 325	Diesel	4WD	1999	110	150	09.17-	■	
2.0 D180 AWD (204DTD)	Rim 17, -ch K1Z35516, Syst. 17", discØ 325	Diesel	4WD	1999	132	179	09.17-	■	
2.0 D240 AWD (204DTA)	Rim 17, -ch K1Z35516, Syst. 17", discØ 325	Diesel	4WD	1999	177	241	09.17-	■	
F-PACE (X761) 09.15-					SUV (Luxury Crossover SUV-J Segment)				
2.0 P400e Plug-in Hybrid		Gasol./el éc.	4WD	1997	297	404	10.20-	■	
3.0 P400 MHEV		Gasol./el éc.	4WD	2996	294	400	10.20-	■	
2.0 D165 MHEV		Diesel/el éc.	4WD	1997	120	163	10.20-	■	
2.0 D200 MHEV		Diesel/el éc.	4WD	1997	150	204	10.20-	■	
3.0 D300 MHEV		Diesel/el éc.	4WD	2997	221	300	10.20-	■	
3.0 D300 AWD		Diesel	4WD	2997	221	300	10.20-	■	
LAND ROVER									
DISCOVERY SPORT (L550) 09.14-					SUV Van (Executive SUV-J Segment)				
Si4 4x4	Rim 17, discØ 325	Gasolina	4WD	1997	177	241	12.17-	■	
Si4 4x4	Rim 17, discØ 325	Gasolina	4WD	1997	213	290	08.17-	■	
Si4 4x4	Rim 17, discØ 325	Gasolina	4WD	1999	177	241	01.17-	■	
eD4 E-Capability	Rim 17, discØ 325	Diesel	FWD	1999	110	150	08.15-	■	
TD4 4x4	Rim 17, discØ 325	Diesel	4WD	1999	110	150	12.14-	■	
TD4 4x4	Rim 17, discØ 325	Diesel	4WD	1999	132	179	06.15-	■	
SD4 4x4	Rim 17, discØ 325	Diesel	4WD	1999	177	241	08.17-	■	
DISCOVERY SPORT (L550) 09.14-					SUV (Executive SUV-J Segment)				
2.0 P200 4x4 (PT204)	Rim 17, discØ 325, Syst. 17"	Gasolina	4WD	1997	147	200	07.20-	■	
2.0 4x4 (PT204)	discØ 325, Rim 17	Gasolina	4WD	1997	177	241	12.17-	■	
2.0 Si4 4x4		Gasolina	4WD	1997	177	241	12.17-	■	
2.0 P250 4x4 (PT204)	Rim 17, discØ 325	Gasolina	4WD	1997	183	249	05.19-	■	
2.0 4x4 (PT204)	discØ 325, Rim 17	Gasolina	4WD	1997	213	290	08.17-	■	
2.0 4x4 (204PT)	discØ 325	Gasolina	4WD	1999	176	240	03.15-	■	
2.0 4x4 (204PT)	Rim 17, discØ 325	Gasolina	4WD	1999	177	241	11.14-	■	
2.0 P200 FLEX MHEV 4x4 (PT204)	discØ 325, Rim 17, Syst. 17"	Gasol./et anol/eléc	4WD	1997	147	200	09.20-	■	
2.0 Si4 FLEX 4x4 (PT204)	Rim 17, discØ 325	Gasol./Et anol	4WD	1997	177	241	12.18-	■	
1.5 P300e Hybrid 4x4 (AJ20P3)	discØ 325	Gasol./el éc.	4WD	1498	147	200	02.20-	■	
1.5 P 270e PHEV 4x4		Gasol./el éc.	4WD	1498	198	269	05.24-	■	
1.5 P300e Hybrid 4x4 (AJ20P3)	discØ 325	Gasol./el éc.	4WD	1498	227	309	02.20-	■	
2.0 P200 MHEV 4x4 (PT204)	discØ 325, Rim 17	Gasol./el éc.	4WD	1997	147	200	05.19-	■	
2.0 P250 MHEV 4x4 (PT204)	discØ 325, Rim 17	Gasol./el éc.	4WD	1997	184	250	05.19-	■	
2.0 P290 MHEV 4x4 (PT204)	Rim 17, discØ 325, Syst. 17"	Gasol./el éc.	4WD	1997	213	290	07.20-	■	
2.0 D165 MHEV		Diesel/el éc.	FWD	1997	120	163	03.21-	■	
2.0 D165 MHEV 4x4 (AJ20D4)	Rim 17, discØ 325, Syst. 17"	Diesel/el éc.	4WD	1997	120	163	07.20-	■	
2.0 D200 MHEV 4x4 (AJ20D4)	Rim 17, discØ 325, Syst. 17"	Diesel/el éc.	4WD	1997	150	204	07.20-	■	
2.0 D150 MHEV 4x4 (204DTD)	discØ 325, Rim 17	Diesel/el éc.	4WD	1999	110	150	05.19-	■	
2.0 D180 MHEV 4x4 (204DTD)	discØ 325, Rim 17	Diesel/el éc.	4WD	1999	132	179	05.19-	■	

LISTA DE APLICACIONES - BUYERS GUIDE

2.0 D240 MHEV 4x4 (204DTA)	discØ 325, Rim 17	Diesel/el éc.	4WD	1999	177	241	05.19-	■	
2.0 D (204DTD)	Rim 17, discØ 325	Diesel	FWD	1999	110	150	08.15-	■	
2.0 D 4x4 (204DTD)	Rim 17, discØ 325	Diesel	4WD	1999	110	150	12.14-	■	
2.0 D165 (204DTD)	Rim 17, discØ 325, Syst. 17"	Diesel	FWD	1999	120	163	07.20-	■	
2.0 D 4x4 (204DTD)	Rim 17, discØ 325	Diesel	4WD	1999	132	180	06.15-	■	
2.0 D 4x4 (204DTA)	discØ 325, Rim 17	Diesel	4WD	1999	177	241	08.17-	■	
2.2 D 4x4 (224DT)	Rim 17, discØ 325	Diesel	4WD	2179	110	150	09.14-	■	
2.2 D 4x4 (224DT)	Rim 17, discØ 325	Diesel	4WD	2179	140	190	09.14-	■	
RANGE ROVER EVOQUE (L538) 11.15-							Convertible (Compact SUV-J Segment)		
2.0 4x4 (PT204)	Rim 17, Syst. 17"	Gasolina	4WD	1997	177	241	08.17-12.19	■	
2.0 4x4 (204PT)	Rim 17, discØ 325, Syst. 17"	Gasolina	4WD	1999	177	241	11.15-12.19	■	
2.0 D 4x4 (204DTD)	Rim 17, discØ 325, Syst. 17"	Diesel	4WD	1999	110	150	11.15-12.19	■	
2.0 D 4x4 (204DTD)	Rim 17, discØ 325, Syst. 17"	Diesel	4WD	1999	132	180	11.15-12.19	■	
2.0 D 4x4 (204DTA)	Rim 17, Syst. 17"	Diesel	4WD	1999	177	241	08.17-12.19	■	
RANGE ROVER EVOQUE (L538) 06.11-12.19							SUV Van (Compact SUV-J Segment)		
Si4 4x4		Gasolina	4WD	1999	177	241	09.13-12.19	■	
TD4	Rim 17, discØ 325, Syst. 17"	Diesel	FWD	2179	110	150	05.15-12.19	■	
TD4 4x4	Rim 17, discØ 325, Syst. 17"	Diesel	4WD	2179	110	150	05.15-12.19	■	
SD4 4x4	Rim 17, discØ 325, Syst. 17"	Diesel	4WD	2179	140	190	05.15-12.19	■	
RANGE ROVER EVOQUE (L538) 06.11-							SUV (Compact SUV-J Segment)		
2.0 4x4 (PT204)	Rim 17, Syst. 17"	Gasolina	4WD	1997	177	241	08.17-12.19	■	
2.0 4x4 (PT204)	Rim 17, discØ 325, Syst. 17"	Gasolina	4WD	1997	213	290	08.17-12.19	■	
2.0 4x4 (204PT)	Syst. 17"	Gasolina	4WD	1999	173	243	01.12-12.15	■	
2.0 4x4 (204PT)	Rim 17, discØ 325, Syst. 17"	Gasolina	4WD	1999	176	240	09.11-12.19	■	
2.0 4x4 (204PT)	Rim 17, discØ 325, Syst. 17"	Gasolina	4WD	1999	177	241	06.11-12.19	■	
2.0 D (204DTD)	Rim 17, discØ 325, Syst. 17"	Diesel	FWD	1999	110	150	06.15-12.19	■	
2.0 D 4x4 (204DTD)	Rim 17, discØ 325, Syst. 17"	Diesel	4WD	1999	110	150	06.15-12.19	■	
2.0 D 4x4 (204DTD)	Rim 17, discØ 325, Syst. 17"	Diesel	4WD	1999	132	180	05.15-12.19	■	
2.0 D 4x4 (204DTA)	Syst. 17", Rim 17	Diesel	4WD	1999	177	241	08.17-12.19	■	
2.2 D (224DT)	Rim 17, discØ 325, Syst. 17"	Diesel	FWD	2179	110	150	06.11-12.19	■	
2.2 D 4x4 (224DT)	Rim 17, discØ 325, Syst. 17"	Diesel	4WD	2179	110	150	06.11-12.19	■	
2.2 D 4x4 (224DT)	Rim 17, discØ 325, Syst. 17"	Diesel	4WD	2179	140	190	06.11-12.19	■	
RANGE ROVER EVOQUE II (L551) 12.18-							SUV (Compact SUV-J Segment)		
2.0 P200 4x4 (PT204)	discØ 325	Gasolina	4WD	1997	147	200	12.18-	■	
2.0 P250 4x4 (PT204)	discØ 325	Gasolina	4WD	1997	184	250	12.18-	■	
2.0 P300 4x4 (PT204)	Rim 17, Syst. 17"	Gasolina	4WD	1997	221	300	07.20-	■	
2.0 P200 FLEX MHEV 4x4 (PT204)	Rim 17, Syst. 17"	Gasol./et anol/eléc	4WD	1997	147	200	09.20-	■	
2.0 P200 FLEX 4x4		Gasol./Et anol	4WD	1997	147	200	12.18-	■	
1.5 P160 MHEV (AJ20P3)	Rim 17, discØ 325, Syst. 17"	Gasol./el éc.	FWD	1498	118	160	09.20-	■	
1.5 P300e Hybrid 4x4 (AJ20P3)	discØ 325	Gasol./el éc.	4WD	1498	147	200	02.20-	■	
1.5 P270e Hybrid 4x4		Gasol./el éc.	4WD	1498	198	269	04.24-	■	
1.5 P300e Hybrid 4x4 (AJ20P3)	discØ 325	Gasol./el éc.	4WD	1498	227	309	02.20-	■	
2.0 P200 MHEV 4x4 (PT204)	discØ 325	Gasol./el éc.	4WD	1997	147	200	12.18-	■	
2.0 P250 MHEV 4x4 (PT204)	discØ 325	Gasol./el éc.	4WD	1997	183	249	12.18-	■	
2.0 P300 MHEV 4x4 (PT204)	discØ 325	Gasol./el éc.	4WD	1997	221	300	12.18-	■	

LISTA DE APLICACIONES - BUYERS GUIDE

2.0 D165 MHEV 4x4 (AJ20D4)	Rim 17, discØ 325, Syst. 17"	Diesel/el éc.	4WD	1997	120	163	07.20-	■
2.0 D200 MHEV 4x4 (AJ20D4)	Rim 17, discØ 325, Syst. 17"	Diesel/el éc.	4WD	1997	150	204	07.20-	■
2.0 D150 MHEV 4x4 (204DTD)	discØ 325	Diesel/el éc.	4WD	1999	110	150	12.18-	■
2.0 D180 MHEV 4x4 (204DTD)	discØ 325	Diesel/el éc.	4WD	1999	132	180	12.18-	■
2.0 D240 MHEV 4x4 (204DTA)	discØ 325	Diesel/el éc.	4WD	1999	177	241	12.18-	■
2.0 D165 (AJ20D4)	Rim 17, discØ 325, Syst. 17"	Diesel	FWD	1997	120	163	07.20-	■
2.0 D165 4x4 (AJ20D4)	Rim 17, Syst. 17"	Diesel	4WD	1997	120	163	07.20-	■
2.0 D200 4x4 (AJ20D4)	Rim 17, Syst. 17"	Diesel	4WD	1997	150	204	07.20-	■
2.0 D150 (204DTD)	discØ 325	Diesel	FWD	1999	110	150	12.18-	■
2.0 D150 4x4 (204DTD)	discØ 325	Diesel	4WD	1999	110	150	12.18-	■
2.0 D180 4x4 (204DTD)	discØ 325	Diesel	4WD	1999	132	180	12.18-	■
LAND ROVER (CHERY)								
DISCOVERY SPORT (L550) 10.15-					SUV (Executive SUV-J Segment)			
2.0 Alas 4 ruedas (PT204)		Gasolina	4WD	1997	147	200	08.17-	■
2.0 Alas 4 ruedas (PT204)		Gasolina	4WD	1997	177	241	08.17-	■
2.0 4x4 (204PT)		Gasolina	4WD	1999	177	241	10.15-07.17	■
RANGE ROVER EVOQUE (L538) 02.15-					SUV (Compact SUV-J Segment)			
2.0 Alas 4 ruedas	discØ 325, Syst. 17"	Gasolina	4WD	1997	147	200	08.17-08.19	■
2.0 Alas 4 ruedas (PT204)	discØ 325, Syst. 17"	Gasolina	4WD	1997	147	200	08.17-08.19	■
2.0 Alas 4 ruedas (PT204)		Gasolina	4WD	1997	177	241	08.17-08.19	■
2.0 T	discØ 325, Syst. 17"	Gasolina	FWD	1999	177	241	02.15-	■