

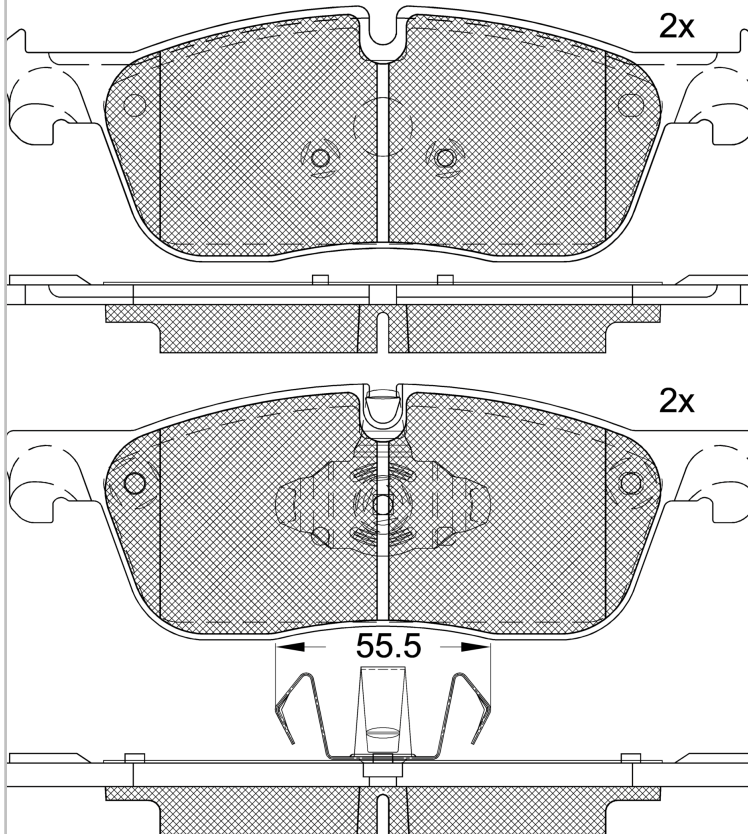
LISTA DE APLICACIONES - BUYERS GUIDE

182236-203



Qty: 300

Weight: 2.530



182236-203



E 9 90R-02A0111/4328

Ate - Teves

193.2x65.5x19

WVA
22145
22322

FMSI
D1838-9089

MAKE

JAGUAR
JAGUAR (CHERY)
LAND ROVER



Trac.	CC	Kw	CV
-------	----	----	----



Front / Rear

JAGUAR

F-PACE (X761) 09.15-						SUV (Luxury Crossover SUV-J Segment)			
2.0 Ti4 (PT204)	Rim 17, discØ 325	Gasolina	RWD	1997	184	250	09.17-	■	
2.0 Ti4 AWD (AJ20P)	discØ 325, Syst. 17"	Gasolina	4WD	1997	184	250	02.17-	■	
2.0 Ti4 AWD (PT204)	discØ 325, Syst. 17"	Gasolina	4WD	1997	184	250	02.17-	■	
2.0 Ti4 AWD (AJ20P)	discØ 325, Syst. 17"	Gasolina	4WD	1997	221	300	06.17-	■	
2.0 Ti4 AWD (PT204)	discØ 325, Syst. 17"	Gasolina	4WD	1997	221	300	06.17-	■	
2.0 Ti4	Syst. 17"	Gasolina	RWD	1999	177	240	05.16-	■	
3.0 SCV6 AWD (306PS)	Rim 17, discØ 325, Syst. 17"	Gasolina	4WD	2995	250	340	09.15-	■	
3.0 SCV6 AWD	Syst. 17"	Gasolina	4WD	2995	254	245	01.17-	■	
3.0 SCV6 AWD (306PS)	Rim 17, discØ 325, Syst. 17"	Gasolina	4WD	2995	280	380	09.15-	■	
2.0 P400e Plug-in Hybrid		Gasol./el éc.	4WD	1997	297	404	10.20-	■	
3.0 P400 MHEV		Gasol./el éc.	4WD	2996	294	400	10.20-	■	
2.0 D165 MHEV		Diesel/el éc.	4WD	1997	120	163	10.20-	■	
2.0 D200 MHEV		Diesel/el éc.	4WD	1997	150	204	10.20-	■	
3.0 D300 MHEV		Diesel/el éc.	4WD	2997	221	300	10.20-	■	
2.0 TD4 (204DTD)	discØ 325, Syst. 17"	Diesel	RWD	1999	120	163	02.17-	■	
2.0 TD4 (204DTD)	Rim 17, discØ 325, Syst. 17"	Diesel	RWD	1999	132	180	09.15-	■	
2.0 TD4 AWD (204DTD)	Rim 17, discØ 325, Syst. 17"	Diesel	4WD	1999	132	180	09.15-	■	
2.0 SD4 AWD (204DTA)	discØ 325, Syst. 17"	Diesel	4WD	1999	177	241	02.17-	■	
3.0 SDV6 AWD (306DT)	Rim 17, discØ 325, Syst. 17"	Diesel	4WD	2993	221	300	09.15-	■	
3.0 D300 AWD		Diesel	4WD	2997	221	300	10.20-	■	

LISTA DE APLICACIONES - BUYERS GUIDE

XE (X760) 03.15-					Saloon (Compact car-C Segment)			
2.0 (PT204)	Syst. 17"	Gasolina	RWD	1997	147	200	02.17-	■
2.0 (PT204)	Syst. 17"	Gasolina	RWD	1997	184	250	02.17-	■
2.0 AWD (PT204)	Syst. 17"	Gasolina	4WD	1997	184	250	02.17-	■
2.0 (PT204)	Syst. 17"	Gasolina	RWD	1997	221	300	06.17-	■
2.0 AWD (PT204)	Syst. 17"	Gasolina	4WD	1997	221	300	06.17-	■
2.0 (204PT)	Rim 17, Rim 18, discØ 325, Syst. 17"	Gasolina	RWD	1999	147	200	03.15-	■
2.0 (204PT)	Rim 17, Syst. 17"	Gasolina	RWD	1999	177	241	03.15-	■
3.0S (306PS)	Rim 17	Gasolina	RWD	2995	250	340	03.15-	■
2.0 D (204DTD)	Rim 17, Rim 18, discØ 325, Syst. 17"	Diesel	RWD	1999	120	163	03.15-	■
2.0 D (204DTD)	Rim 17, Rim 18, discØ 325, Syst. 17"	Diesel	RWD	1999	132	180	03.15-	■
2.0 D AWD (204DTD)	Rim 17, Rim 18, discØ 325, Syst. 17"	Diesel	4WD	1999	132	180	10.15-	■
2.0 D AWD (204DTA)	Syst. 17"	Diesel	4WD	1999	177	241	02.17-	■
XF II (X260) 05.15-					Saloon (Luxury car-F Segment)			
2.0 (PT204)	Rim 17, discØ 325	Gasolina	RWD	1997	147	200	03.17-	■
2.0 (PT204)	Rim 17, discØ 325	Gasolina	RWD	1997	184	250	03.17-	■
2.0 AWD (PT204)	Rim 17, discØ 325	Gasolina	4WD	1997	184	250	03.17-	■
2.0 (PT204)	Rim 17, discØ 325	Gasolina	RWD	1997	221	300	06.17-	■
2.0 AWD (PT204)	Rim 17, discØ 325	Gasolina	4WD	1997	221	300	09.17-	■
2.0 (204PT)	Rim 17, Syst. 17", discØ 325	Gasolina	RWD	1999	177	241	05.15-	■
3.0 (306PS)	Rim 17, Syst. 17", discØ 325	Gasolina	RWD	2995	250	340	05.15-	■
3.0 AWD (306PS)	Rim 17, Syst. 17", discØ 325	Gasolina	4WD	2995	250	340	07.15-	■
3.0 (306PS)	Rim 17, Syst. 17", discØ 325	Gasolina	RWD	2995	280	380	05.15-	■
3.0 AWD (306PS)	Rim 17, Syst. 17", discØ 325	Gasolina	4WD	2995	280	380	07.15-	■
2.0 D200 MHEV	Rim 17, discØ 325	Diesel/el éc.	RWD	1997	150	204	11.20-	■
2.0 D200 MHEV AWD	Rim 17, discØ 325	Diesel/el éc.	4WD	1997	150	204	11.20-	■
2.0 D (204DTD)	Rim 17, Syst. 17"	Diesel	RWD	1999	120	163	05.15-	■
2.0 D (204DTD)	Rim 17, Syst. 17"	Diesel	RWD	1999	132	180	05.15-	■
2.0 D AWD (204DTD)	Rim 17, discØ 325	Diesel	4WD	1999	132	180	03.16-	■
2.0 D (204DTA)	discØ 325	Diesel	RWD	1999	177	241	03.17-	■
2.0 D AWD (204DTA)	Rim 17, discØ 325	Diesel	4WD	1999	177	241	03.17-	■
3.0 D (306DT)	Rim 17, Syst. 17", discØ 325	Diesel	RWD	2993	221	300	05.15-	■
XF II SPORTBRAKE (X260) 07.17-					Estate (Luxury car-F Segment)			
2.0 (PT204)	Rim 17, discØ 325	Gasolina	RWD	1997	147	200	07.17-	■
2.0 (PT204)	Rim 17, discØ 325	Gasolina	RWD	1997	184	250	07.17-	■
2.0 AWD	Rim 17, discØ 325	Gasolina	4WD	1997	184	250	11.20-	■
2.0 AWD (PT204)	Rim 17, discØ 325	Gasolina	4WD	1997	221	300	08.18-	■
3.0 (306PS)	Rim 17, discØ 325	Gasolina	RWD	2995	280	380	07.17-	■
3.0 AWD (306PS)	Rim 17, discØ 325	Gasolina	4WD	2995	280	380	07.17-	■
2.0 D200 MHEV	Rim 17, discØ 325	Diesel/el éc.	RWD	1997	150	204	11.20-	■
2.0 D200 MHEV AWD	Rim 17, discØ 325	Diesel/el éc.	4WD	1997	150	204	11.20-	■
2.0 D (204DTD)	Rim 17, discØ 325	Diesel	RWD	1999	120	163	07.17-	■
2.0 D (204DTD)	Rim 17, discØ 325	Diesel	RWD	1999	132	180	07.17-	■
2.0 D AWD (204DTD)	Rim 17, discØ 325	Diesel	4WD	1999	132	180	07.17-	■
2.0 D AWD (204DTA)	Rim 17, discØ 325	Diesel	4WD	1999	177	241	07.17-	■
3.0 D (306DT)	Rim 17, discØ 325	Diesel	RWD	2993	221	300	07.17-	■

JAGUAR (CHERY)

LISTA DE APLICACIONES - BUYERS GUIDE

E-PACE 08.18-					SUV (Compact SUV-J Segment)			
2.0 Alas 4 ruedas (PT204)		Gasolina	4WD	1997	147	200	08.18-	■
2.0 Alas 4 ruedas (PT204)		Gasolina	4WD	1997	183	249	08.18-	■
XEL 11.17-					Saloon ()			
20t (PT204)	Syst. 17"	Gasolina	RWD	1997	147	200	08.18-	■
25T (PT204)		Gasolina	RWD	1997	184	250	12.17-	■
XFL 08.16-					Saloon (Luxury car-F Segment)			
20t (PT204)		Gasolina	RWD	1997	147	200	08.16-09.17	■
20t (PT204)		Gasolina	RWD	1997	147	200	09.17-	■
25T (PT204)		Gasolina	RWD	1997	174	250	09.17-	■
2.0 25t A las 4 ruedas (PT204)		Gasolina	4WD	1997	184	250	11.18-	■
2.0 30t A las 4 ruedas (PT204)		Gasolina	4WD	1997	221	300	11.18-	■
25T		Gasolina	RWD	1999	177	240	08.16-09.17	■
LAND ROVER								
RANGE ROVER VELAR (L560) 03.17-					SUV (Luxury Crossover SUV-J Segment)			
2.0 P250 Si4 4x4 (PT204)	Rim 17	Gasolina	4WD	1997	184	250	03.17-	■
2.0 P300 Si4 4x4 (PT204)	Rim 17, Syst. 17"	Gasolina	4WD	1997	221	300	03.17-	■
3.0 P340 SCV6 4x4 (306PS)	Rim 17	Gasolina	4WD	2995	250	340	04.18-	■
3.0 P380 SCV6 4x4 (306PS)	Rim 17	Gasolina	4WD	2995	280	380	03.17-	■
2.0 P400 Hybrid 4x4 (PT204)	Rim 17, Syst. 17"	Gasol./el éc.	4WD	1997	221	300	07.20-	■
2.0 P400 Hybrid 4x4 (PT204)		Gasol./el éc.	4WD	1997	297	404	07.20-	■
3.0 P400 MHEV 4x4 (AJ20P6)	Rim 17, Syst. 17"	Gasol./el éc.	4WD	2995	294	400	07.20-	■
2.0 D200 MHEV 4x4 (AJ20D4)	Rim 17, Syst. 17"	Diesel/el éc.	4WD	1997	150	204	07.20-	■
3.0 D300 MHEV 4x4 (AJ20D6)	Rim 17, Syst. 17"	Diesel/el éc.	4WD	2997	221	300	07.20-	■
2.0 D180 TD4 4x4 (204DTD)	Rim 17	Diesel	4WD	1999	132	180	03.17-	■
2.0 D240 SD4 4x4 (204DTA)	Rim 17	Diesel	4WD	1999	177	241	03.17-	■
3.0 D275 SDV6 4x4 (306DT)	Rim 17	Diesel	4WD	2993	202	275	04.18-	■
3.0 D300 SDV6 4x4 (306DT)	Rim 17	Diesel	4WD	2993	221	300	03.17-	■