

# LISTA DE APLICACIONES - BUYERS GUIDE

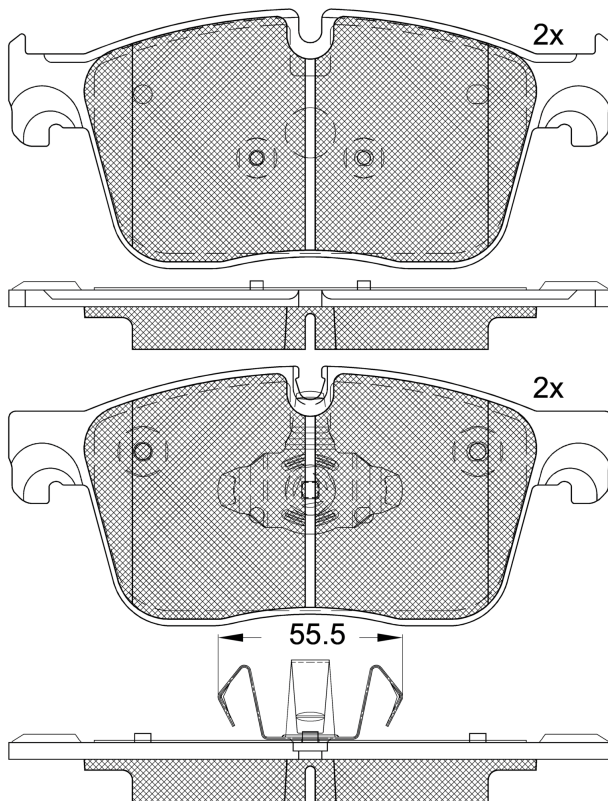
## 182238



Qty: 300

Weight: 2.705

O.E.M.	MAKE
J9C20036	JAGUAR
J9D1118	JAGUAR
J9D1199	JAGUAR
LR-064687	LAND ROVER
LR-111385	LAND ROVER
LR-137301	LAND ROVER
LR-141734	LAND ROVER
LR-150620	LAND ROVER
LR160437	LAND ROVER
LR160444	LAND ROVER
T2H 53848	JAGUAR
T2H 53854	JAGUAR
T2H16147	JAGUAR
T2H21043	JAGUAR
T2H43859	JAGUAR
T2H7448	JAGUAR
T4A44837	JAGUAR
T4K17303	JAGUAR
T4N14764	JAGUAR



## 182238

**E 9 90R-02A0111/4390**



Ate - Teves

180.1x77.5x18.4

WVA	FMSI
22302	D1861-9090
22303	
MAKE	
JAGUAR	
JAGUAR (CHERY)	
LAND ROVER	



Trac.	CC	Kw	CV



Front / Rear

### JAGUAR

#### E-PACE (X540) 09.17-

#### SUV (Compact SUV-J Segment)

2.0 P200 AWD (PT204)	Rim 18	Gasolina	4WD	1997	183	249	09.17-	■
2.0 AWD (PT204)	Rim 18	Gasolina	4WD	1997	221	300	09.17-	■
2.0 D150 (204DTD)	Rim 18	Diesel	FWD	1999	110	150	09.17-	■
2.0 D150 AWD (204DTD)	Rim 18	Diesel	4WD	1999	110	150	09.17-	■
2.0 D180 AWD (204DTD)	Rim 18	Diesel	4WD	1999	132	179	09.17-	■
2.0 D240 AWD (204DTA)	Rim 18	Diesel	4WD	1999	177	241	09.17-	■

#### F-PACE (X761) 09.15-

#### SUV (Luxury Crossover SUV-J Segment)

2.0 Ti4 (PT204)	Rim 18, discØ 350, -ch LA999999, Red Caliper   Rim 19, ch- MA000001	Gasolina	RWD	1997	184	250	09.17-	■
2.0 Ti4 AWD (AJ20P)	discØ 350, Performance brakes, Red Caliper, Rim 18   Rim 19	Gasolina	4WD	1997	184	250	02.17-	■
2.0 Ti4 AWD (PT204)	discØ 350, Performance brakes, Red Caliper, Rim 18   Rim 19	Gasolina	4WD	1997	184	250	02.17-	■
2.0 Ti4 AWD (AJ20P)	discØ 350, Performance brakes, Syst. 18"	Gasolina	4WD	1997	221	300	06.17-	■
2.0 Ti4 AWD (PT204)	discØ 350, Performance brakes, Syst. 18"	Gasolina	4WD	1997	221	300	06.17-	■
2.0 Ti4	Syst. 18"	Gasolina	RWD	1999	177	240	05.16-	■
3.0 SCV6 AWD (306PS)	Rim 18, discØ 350, Performance brakes	Gasolina	4WD	2995	250	340	09.15-	■
3.0 SCV6 AWD	Syst. 18"	Gasolina	4WD	2995	254	245	01.17-	■
3.0 SCV6 AWD (306PS)	Rim 18, discØ 350, Performance brakes	Gasolina	4WD	2995	280	380	09.15-	■
3.0 P400		Gasolina	4WD	2996	294	400	10.20-	■

# LISTA DE APLICACIONES - BUYERS GUIDE

2.0 P400e Plug-in Hybrid		Gasol./el éc.	4WD	1997	221	300	10.20-	■	
2.0 P400e Plug-in Hybrid	Rim 19	Gasol./el éc.	4WD	1997	297	404	10.20-	■	
3.0 P400 MHEV	Rim 19	Gasol./el éc.	4WD	2996	294	400	10.20-	■	
2.0 D165 MHEV	Rim 19	Diesel/el éc.	4WD	1997	120	163	10.20-	■	
2.0 D200 MHEV	Rim 19	Diesel/el éc.	4WD	1997	150	204	10.20-	■	
3.0 D300 MHEV	Rim 19	Diesel/el éc.	4WD	2997	221	300	10.20-	■	
2.0 TD4 (204DTD)	discØ 350, Performance brakes, Syst. 18"	Diesel	RWD	1999	120	163	02.17-	■	
2.0 TD4 (204DTD)	Rim 18, discØ 350, Performance brakes	Diesel	RWD	1999	132	180	09.15-	■	
2.0 TD4 AWD (204DTD)	Rim 18, discØ 350, Performance brakes	Diesel	4WD	1999	132	180	09.15-	■	
2.0 SD4 AWD (204DTA)	discØ 350, Performance brakes, Syst. 18"	Diesel	4WD	1999	177	241	02.17-	■	
3.0 SDV6 AWD (306DT)	Rim 18, discØ 350, Performance brakes	Diesel	4WD	2993	221	300	09.15-	■	
3.0 D300 AWD		Diesel	4WD	2997	221	300	10.20-	■	
<b>I-PACE (X590) 02.18-</b>					<b>SUV (Large SUV-J Segment)</b>				
EV320 AWD		Eléctrico	4WD		236	321	10.20-	■	
EV400 AWD		Eléctrico	4WD		294	400	02.18-	■	
<b>XE (X760) 03.15-</b>					<b>Saloon (Compact car-C Segment)</b>				
2.0 (PT204)	Syst. 18"	Gasolina	RWD	1997	147	200	02.17-	■	
2.0 (PT204)	Syst. 18"	Gasolina	RWD	1997	184	250	02.17-	■	
2.0 AWD (PT204)	Syst. 18"	Gasolina	4WD	1997	184	250	02.17-	■	
2.0 (PT204)	Syst. RED CALIPER, Syst. 18"	Gasolina	RWD	1997	221	300	06.17-	■	
2.0 AWD (PT204)	Syst. RED CALIPER, Syst. 18"	Gasolina	4WD	1997	221	300	06.17-	■	
2.0 (204PT)	Rim 18, discØ 350	Gasolina	RWD	1999	147	200	03.15-	■	
2.0 (204PT)	Rim 18	Gasolina	RWD	1999	177	241	03.15-	■	
P250		Gasolina	RWD	1999	184	250	09.22-	■	
3.0S (306PS)	Rim 17, Rim 18	Gasolina	RWD	2995	250	340	03.15-	■	
3.0 S AWD (306PS)		Gasolina	4WD	2995	250	240	08.17-	■	
3.0S (306PS)		Gasolina	RWD	2995	279	379	08.17-	■	
3.0S (306PS)	-ch 942527	Gasolina	RWD	2995	280	381	02.17-	■	
2.0 D200 MHEV	discØ 350, Rim 18	Diesel/el éc.	RWD	1997	150	204	11.20-	■	
2.0 D200 MHEV AWD	discØ 350, Rim 18	Diesel/el éc.	4WD	1997	150	204	11.20-	■	
2.0 D (204DTD)	Rim 18, discØ 350	Diesel	RWD	1999	120	163	03.15-	■	
2.0 D (204DTD)	Rim 18, discØ 350	Diesel	RWD	1999	132	180	03.15-	■	
2.0 D AWD (204DTD)	Rim 16.5, Rim 18, ch- 942528, discØ 350	Diesel	4WD	1999	132	180	10.15-	■	
2.0 D AWD (204DTA)	Syst. 18"	Diesel	4WD	1999	177	241	02.17-	■	
<b>XF II (X260) 05.15-</b>					<b>Saloon (Luxury car-F Segment)</b>				
2.0 (PT204)	Rim 18, discØ 350, ch-HCY42650, -ch LCY87623, Red Caliper	Gasolina	RWD	1997	147	200	03.17-	■	
2.0 (PT204)	Rim 18, discØ 350, ch-HCY42650, -ch LCY87623, Red Caliper	Gasolina	RWD	1997	184	250	03.17-	■	
2.0 AWD (PT204)	Rim 18, discØ 350, Red Caliper	Gasolina	4WD	1997	184	250	03.17-	■	
2.0 (PT204)	Rim 18, discØ 350, ch-HCY42650, -ch LCY87623, Red Caliper	Gasolina	RWD	1997	221	300	06.17-	■	
2.0 AWD (PT204)	Rim 18, discØ 350, Red Caliper	Gasolina	4WD	1997	221	300	09.17-	■	

# LISTA DE APLICACIONES - BUYERS GUIDE

2.0 (204PT)	Rim 18, discØ 350, Red Caliper	Gasolina	RWD	1999	177	241	05.15-	■	
3.0 (306PS)	Rim 18, Syst. RED CALIPER, discØ 350	Gasolina	RWD	2995	250	340	05.15-	■	
3.0 AWD (306PS)	Rim 18, Syst. RED CALIPER, discØ 350	Gasolina	4WD	2995	250	340	07.15-	■	
3.0 (306PS)	Rim 18, Syst. RED CALIPER, discØ 350	Gasolina	RWD	2995	280	380	05.15-	■	
3.0 AWD (306PS)	Rim 18, Eq.V_ RED CALIPER, discØ 350	Gasolina	4WD	2995	280	380	07.15-	■	
2.0 D200 MHEV	Rim 18, discØ 350, Red Caliper	Diesel/el éc.	RWD	1997	150	204	11.20-	■	
2.0 D200 MHEV AWD	Rim 18, discØ 350	Diesel/el éc.	4WD	1997	150	204	11.20-	■	
2.0 D (204DTD)	Rim 18	Diesel	RWD	1999	120	163	05.15-	■	
2.0 D (204DTD)	Rim 18	Diesel	RWD	1999	132	180	05.15-	■	
2.0 D AWD (204DTD)	Rim 18	Diesel	4WD	1999	132	180	03.16-	■	
2.0 D (204DTA)	Rim 18	Diesel	RWD	1999	177	241	03.17-	■	
2.0 D AWD (204DTA)	Rim 18	Diesel	4WD	1999	177	241	03.17-	■	
3.0 D (306DT)	Rim 18, discØ 350, Red Caliper	Diesel	RWD	2993	221	300	05.15-	■	
<b>XF II SPORTBRAKE (X260) 07.17-</b>					<b>Estate (Luxury car-F Segment)</b>				
2.0 (PT204)	Rim 18, discØ 350, ch-HCY42650, -ch LCY87623, Red Caliper	Gasolina	RWD	1997	147	200	07.17-	■	
2.0 (PT204)	Rim 18, discØ 350, ch-HCY42650, -ch LCY87623, Red Caliper	Gasolina	RWD	1997	184	250	07.17-	■	
2.0 AWD	Rim 18, discØ 350, Red Caliper	Gasolina	4WD	1997	184	250	11.20-	■	
2.0 AWD (PT204)	Rim 18, discØ 350, Red Caliper	Gasolina	4WD	1997	221	300	08.18-	■	
3.0 (306PS)	Rim 18, Syst. RED CALIPER, discØ 350	Gasolina	RWD	2995	280	380	07.17-	■	
3.0 AWD (306PS)	Rim 18, Syst. RED CALIPER, discØ 350	Gasolina	4WD	2995	280	380	07.17-	■	
2.0 D200 MHEV	Rim 18, discØ 350, Red Caliper	Diesel/el éc.	RWD	1997	150	204	11.20-	■	
2.0 D200 MHEV AWD	Rim 18, discØ 350	Diesel/el éc.	4WD	1997	150	204	11.20-	■	
2.0 D (204DTD)	Rim 18	Diesel	RWD	1999	120	163	07.17-	■	
2.0 D (204DTD)	Rim 18	Diesel	RWD	1999	132	180	07.17-	■	
2.0 D AWD (204DTD)	Rim 18	Diesel	4WD	1999	132	180	07.17-	■	
2.0 D AWD (204DTA)	Rim 18	Diesel	4WD	1999	177	241	07.17-	■	
3.0 D (306DT)	Rim 18, discØ 350, Red Caliper	Diesel	RWD	2993	221	300	07.17-	■	
<b>JAGUAR (CHERY)</b>									
<b>XFL 08.16-</b>					<b>Saloon (Luxury car-F Segment)</b>				
35t (306PS)		Gasolina	RWD	2995	250	340	08.16-	■	
<b>LAND ROVER</b>									
<b>RANGE ROVER VELAR (L560) 03.17-</b>					<b>SUV (Luxury Crossover SUV-J Segment)</b>				
2.0 P250 Si4 4x4 (PT204)	Rim 18, Syst. Standard, Performance brakes	Gasolina	4WD	1997	184	250	03.17-	■	
2.0 P300 Si4 4x4 (PT204)	Rim 18, Syst. Standard, Performance brakes	Gasolina	4WD	1997	221	300	03.17-	■	
3.0 P340 SCV6 4x4 (306PS)	Rim 18, Syst. Standard, Performance brakes	Gasolina	4WD	2995	250	340	04.18-	■	
3.0 P380 SCV6 4x4 (306PS)	Rim 18, Syst. Standard, Performance brakes	Gasolina	4WD	2995	280	380	03.17-	■	
2.0 P400 Hybrid 4x4 (PT204)	Rim 18, Rim 19, Syst. High Performance, Syst. Standar Performance	Gasol./el éc.	4WD	1997	221	300	07.20-	■	
2.0 P400 Hybrid 4x4 (PT204)		Gasol./el éc.	4WD	1997	297	404	07.20-	■	

## LISTA DE APLICACIONES - BUYERS GUIDE

3.0 P400 MHEV 4x4 (AJ20P6)	Rim 18, Rim 19, Syst. High Performance, Syst. Standar Performance	Gasol./el éc.	4WD	2995	294	400	07.20-	■
2.0 D200 MHEV 4x4 (AJ20D4)	Rim 18, Rim 19, Syst. High Performance, Syst. Standar Performance	Diesel/el éc.	4WD	1997	150	204	07.20-	■
3.0 D300 MHEV 4x4 (AJ20D6)	Rim 18, Rim 19, Syst. High Performance, Syst. Standar Performance	Diesel/el éc.	4WD	2997	221	300	07.20-	■
2.0 D180 TD4 4x4 (204DTD)	Rim 18, Syst. Standard, Performance brakes	Diesel	4WD	1999	132	180	03.17-	■
2.0 D240 SD4 4x4 (204DTA)	Rim 18, Syst. Standard, Performance brakes	Diesel	4WD	1999	177	241	03.17-	■
3.0 D275 SDV6 4x4 (306DT)	Rim 18, Syst. Standard, Performance brakes	Diesel	4WD	2993	202	275	04.18-	■
3.0 D300 SDV6 4x4 (306DT)	Rim 18, Syst. Standard, Performance brakes	Diesel	4WD	2993	221	300	03.17-	■