

LISTA DE APLICACIONES - BUYERS GUIDE

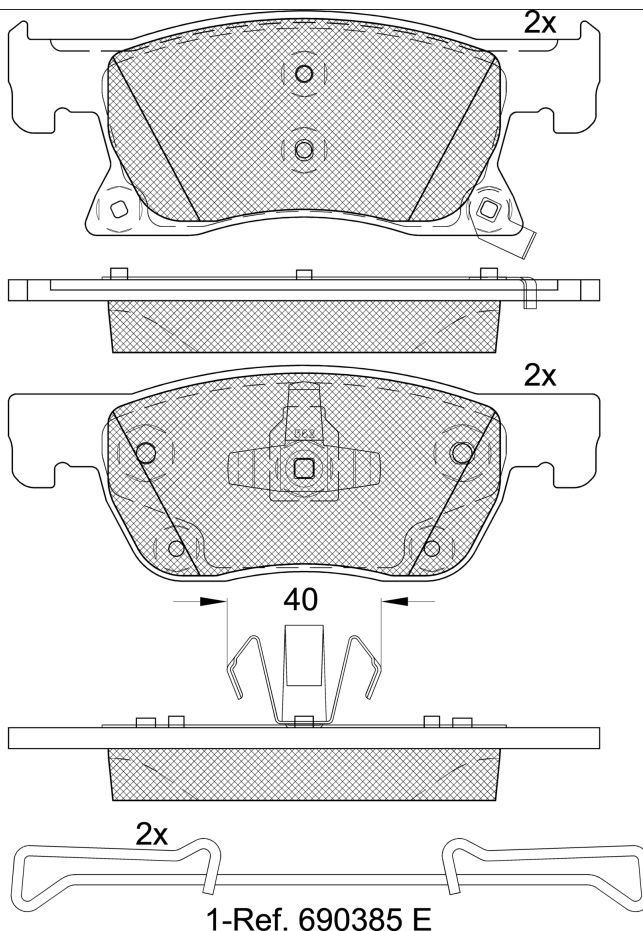
182246



Qty: 300

Weight: 1.860

O.E.M.	MAKE
01 347 830 0	OPEL
039 103 797	OPEL
1 347 830 0	VAUXHALL
1684934780	VAUXHALL
39 103 797	VAUXHALL
95 526 566	OPEL



182246



90R-02A0111/4486



Ate - Teves

155.1x56.6x19.8
155.1x58.9x19.8

WVA	FMSI
22342	D2171-9416
22343	

MAKE
CHEVROLET
CHEVROLET (SGM)
HOLDEN
OPEL
VAUXHALL



Trac.	CC	Kw	CV		
Front / Rear					

CHEVROLET								
CRUZE II (J405) 01.17-						Hatchback (Supermini car-B Segment)		
1.4 (LE2(85CUL4))	Rim 15, Syst. 15"	Gasolina	FWD	1399	114	155	01.17-	■
CRUZE II (J400) 11.15-						Saloon (Supermini car-B Segment)		
1.4 (LE2(85CUL4))	Rim 15	Gasolina	FWD	1399	110	150	06.16-	■
1.4 (LE2(85CUL4))	Rim 15, Syst. 15"	Gasolina	FWD	1399	114	155	11.15-	■
1.4 Flex (LE2(85VUL4))	Syst. 15"	Gasol./Et anol	FWD	1399	113	153	01.17-	■
CDTi (B 16 DTH)	Syst. 15"	Diesel	FWD	1598	99	135	11.15-	■
CHEVROLET (SGM)								
CRUZE II (CP3) 08.14-07.16						Saloon (Supermini car-B Segment)		
1.4 T	Rim 15	Gasolina	FWD	1399	110	150	08.14-	■
1.5	Rim 15	Gasolina	FWD	1485	80	109	03.14-	■
1.5	Rim 15	Gasolina	FWD	1490	84	114	08.14-	■
HOLDEN								
ASTRA (BK) 09.17-						Estate (Compact car-C Segment)		
1.4 (B 14 XFT)	Syst. 15"	Gasolina	FWD	1399	110	150	09.17-	■
ASTRA (PJ) 12.14-						Hatchback (Compact car-C Segment)		
1.4	Syst. 15"	Gasolina	FWD	1399	110	150	01.17-	■
1.6 (B 16 SHT)	Syst. 15"	Gasolina	FWD	1598	147	200	09.16-	■
OPEL								
ASTRA K 11.15-						Estate Van (Compact car-C Segment)		
1.0 (35) (D 10 XFL)	POC J67, discØ 276, Syst. 15"	Gasolina	FWD	999	77	105	05.18-08.19	■

LISTA DE APLICACIONES - BUYERS GUIDE

1.4 (35) (D 14 XFT)	POC J67, discØ 276, Syst. 15"	Gasolina	FWD	1399	110	150	06.18-09.21	■	
1.5 CRDI (35) (D 15 DVC)	POC J67, discØ 276, Syst. 15"	Diesel	FWD	1496	77	105	08.19-09.21	■	
1.5 CRDI (35) (F 15 DVC)	POC J67, discØ 276, Syst. 15"	Diesel	FWD	1496	77	105	08.19-09.21	■	
ASTRA K 06.15-							Hatchback Van (Compact car-C Segment)		
1.6 CDTi (D 16 DTH)	Rim 15, discØ 276, POC J67, Syst. 15"	Diesel	FWD	1598	100	136	04.18-08.19	■	
ASTRA K (B16) 06.15-							Hatchback (Compact car-C Segment)		
1.0 Turbo (68) (D 10 XFL)	Rim 15, POC J67, discØ 276, Syst. 15"	Gasolina	FWD	999	66	90	06.18-08.19	■	
1.0 Turbo (68) (B 10 XFL)	discØ 276, Rim 15, POC J67, Syst. 15"	Gasolina	FWD	999	77	105	06.15-08.19	■	
1.0 Turbo (68) (D 10 XFL)	discØ 276, Rim 15, POC J67, Syst. 15"	Gasolina	FWD	999	77	105	06.15-08.19	■	
1.2 Turbo (68) (F 12 SHL)	Rim 15, discØ 276, POC J67, Syst. 15"	Gasolina	FWD	1199	81	110	08.19-09.21	■	
1.2 Turbo (68) (F 12 SHT)	Rim 15, discØ 276, POC J67, Syst. 15"	Gasolina	FWD	1199	96	131	08.19-09.21	■	
1.2 Turbo (68) (F 12 SHR)	Rim 15, discØ 276, POC J67, Syst. 15"	Gasolina	FWD	1199	107	145	08.19-09.21	■	
1.4 Turbo (68) (F 14 SHL)	Rim 15, discØ 276, POC J67, Syst. 15"	Gasolina	FWD	1342	107	145	08.19-09.21	■	
1.4 Turbo (68) (F 14 SHT)	Rim 15, discØ 276, POC J67, Syst. 15"	Gasolina	FWD	1342	107	145	08.19-09.21	■	
1.4 (68) (B 14 XE)	discØ 276, Rim 15, POC J67, Syst. 15"	Gasolina	FWD	1399	74	100	06.15-08.18	■	
1.4 Turbo (68) (B 14 XFL)	discØ 276, Rim 15, POC J67, Syst. 15"	Gasolina	FWD	1399	92	125	06.15-08.19	■	
1.4 Turbo (68) (B 14 XFT)	Syst. 15"	Gasolina	FWD	1399	103	140	07.17-	■	
1.4 Turbo (68) (B 14 XFT)	discØ 276, Rim 15, POC J67, Syst. 15"	Gasolina	FWD	1399	110	150	10.15-08.19	■	
1.6 Turbo (68) (B 16 SHT)	discØ 276, Rim 15, POC J67, Syst. 15"	Gasolina	FWD	1598	147	200	11.15-02.19	■	
1.4 CNG (68) (B 14 XNT)	discØ 276, Rim 15, POC J67, Syst. 15"	Gasol./Gas (CNG)	FWD	1399	81	110	10.17-05.18	■	
1.5 CRDI (68) (D 15 DVC)	Rim 15, discØ 276, POC J67, Syst. 15"	Diesel	FWD	1496	77	105	08.19-09.21	■	
1.5 CRDI (68) (F 15 DVC)	Rim 15, discØ 276, POC J67, Syst. 15"	Diesel	FWD	1496	77	105	08.19-09.21	■	
1.5 CRDI (68) (D 15 DVH)	Rim 15, discØ 276, POC J67, Syst. 15"	Diesel	FWD	1496	90	122	08.19-09.21	■	
1.5 CRDI (68) (F 15 DVH)	Rim 15, discØ 276, POC J67, Syst. 15"	Diesel	FWD	1496	90	122	08.19-09.21	■	
1.6 CDTi (68) (B 16 DTE)	discØ 276, Rim 15, POC J67, Syst. 15"	Diesel	FWD	1598	70	95	10.15-05.18	■	
1.6 CDTi	discØ 276, Rim 15	Diesel	RWD	1598	77	105	06.15-	■	
1.6 CDTi (68) (B 16 DTE)	discØ 276, Rim 15, POC J67, Syst. 15"	Diesel	FWD	1598	81	110	06.15-08.19	■	
1.6 CDTi (68) (B 16 DTU)	discØ 276, Rim 15, POC J67, Syst. 15"	Diesel	FWD	1598	81	110	06.15-08.19	■	
1.6 CDTi (68) (D 16 DTI)	discØ 276, Rim 15, POC J67, Syst. 15"	Diesel	FWD	1598	81	110	06.15-08.19	■	
1.6 CDTi (68) (B 16 DTH)	discØ 276, Rim 15, POC J67, Syst. 15"	Diesel	FWD	1598	100	136	06.15-08.19	■	
1.6 CDTi (68) (D 16 DTH)	discØ 276, Rim 15, POC J67, Syst. 15"	Diesel	FWD	1598	100	136	06.15-08.19	■	
1.6 BiTurbo (D 16 DTR)	Rim 15, POC J67, discØ 276, Syst. 15"	Diesel	FWD	1598	110	150	07.18-02.19	■	
1.6 CDTi (68) (B 16 DTR)	discØ 276, Rim 15, POC J67, Syst. 15"	Diesel	FWD	1598	118	160	11.15-05.18	■	
ASTRA K 11.15-							Saloon (Compact car-C Segment)		
1.4 LPG	discØ 276, Rim 15	Gasolina	FWD	1364	103	140	11.15-	■	
1.4 Turbo	discØ 276, Rim 15	Gasolina	FWD	1364	103	140	11.15-	■	
1.6	discØ 276, Rim 15	Gasolina	FWD	1598	85	116	11.15-	■	
1.6 CDTi	discØ 276, Rim 15	Diesel	RWD	1598	81	110	11.15-	■	

LISTA DE APLICACIONES - BUYERS GUIDE

1.6 CDTi	discØ 276, Rim 15	Diesel	RWD	1598	100	136	11.15-	■	
ASTRA K Sports Tourer (B16) 11.15-					Estate (Compact car-C Segment)				
1.0 Turbo (35) (D 10 XFL)	Rim 15, POC J67, discØ 276, Syst. 15"	Gasolina	FWD	999	66	90	06.18-08.19	■	
1.0 Turbo (35) (B 10 XFL)	discØ 276, Rim 15, POC J67, Syst. 15"	Gasolina	FWD	999	77	105	06.18-08.19	■	
1.0 Turbo (35) (D 10 XFL)	discØ 276, Rim 15, POC J67, Syst. 15"	Gasolina	FWD	999	77	105	06.18-08.19	■	
1.2 Turbo (35) (F 12 SHL)	Rim 15, discØ 276, POC J67, Syst. 15"	Gasolina	FWD	1199	81	110	08.19-12.21	■	
1.2 Turbo (35) (F 12 SHT)	Rim 15, discØ 276, POC J67, Syst. 15"	Gasolina	FWD	1199	96	131	08.19-12.21	■	
1.2 Turbo (35) (F 12 SHR)	Rim 15, discØ 276, POC J67, Syst. 15"	Gasolina	FWD	1199	107	145	08.19-12.21	■	
1.4 Turbo (35) (F 14 SHL)	Rim 15, discØ 276, POC J67, Syst. 15"	Gasolina	FWD	1342	107	145	08.19-12.21	■	
1.4 Turbo (35) (F 14 SHT)	Rim 15, discØ 276, POC J67, Syst. 15"	Gasolina	FWD	1342	107	145	08.19-12.21	■	
1.4 (35) (B 14 XE)	discØ 276, Rim 15, POC J67, Syst. 15"	Gasolina	FWD	1399	74	100	04.16-05.18	■	
1.4 Turbo (35) (B 14 XFL)	discØ 276, Rim 15, POC J67, Syst. 15"	Gasolina	FWD	1399	92	125	04.16-08.19	■	
1.4 Turbo (35) (B 14 XFT)	discØ 276, Rim 15, POC J67, Syst. 15"	Gasolina	FWD	1399	110	150	04.16-08.19	■	
1.4 Turbo (35) (D 14 XFT)	discØ 276, Rim 15, POC J67, Syst. 15"	Gasolina	FWD	1399	110	150	04.16-08.19	■	
1.6 Turbo (35) (B 16 SHT)	discØ 276, Rim 15, POC J67, Syst. 15"	Gasolina	FWD	1598	147	200	04.16-02.19	■	
1.4 CNG (35) (B 14 XNT)	discØ 276, Rim 15, POC J67, Syst. 15"	Gasol./Gas (CNG)	FWD	1399	81	110	08.17-05.18	■	
1.5 CRDI (35) (D 15 DVC)	Rim 15, discØ 276, POC J67, Syst. 15"	Diesel	FWD	1496	77	105	08.19-12.21	■	
1.5 CRDI (35) (F 15 DVC)	Rim 15, discØ 276, POC J67, Syst. 15"	Diesel	FWD	1496	77	105	08.19-12.21	■	
1.5 CRDI (35) (D 15 DVH)	Rim 15, discØ 276, POC J67, Syst. 15"	Diesel	FWD	1496	90	122	08.19-12.21	■	
1.5 CRDI (35) (F 15 DVH)	Rim 15, discØ 276, POC J67, Syst. 15"	Diesel	FWD	1496	90	122	08.19-12.21	■	
1.6 CDTi (35) (B 16 DTE)	discØ 276, Rim 15, POC J67, Syst. 15"	Diesel	FWD	1598	70	95	04.16-05.18	■	
1.6 CDTi (35) (B 16 DTE)	discØ 276, Rim 15, POC J67, Syst. 15"	Diesel	FWD	1598	81	110	04.16-08.19	■	
1.6 CDTi (35) (B 16 DTU)	discØ 276, Rim 15, POC J67, Syst. 15"	Diesel	FWD	1598	81	110	04.16-08.19	■	
1.6 CDTi (35) (D 16 DTI)	discØ 276, Rim 15, POC J67, Syst. 15"	Diesel	FWD	1598	81	110	04.16-08.19	■	
1.6 CDTi (35) (B 16 DTH)	discØ 276, Rim 15, POC J67, Syst. 15"	Diesel	FWD	1598	100	136	04.16-08.19	■	
1.6 BiTurbo (D 16 DTR)	Rim 15, POC J67, discØ 276, Syst. 15"	Diesel	FWD	1598	110	150	07.18-02.19	■	
1.6 CDTi (35) (B 16 DTR)	discØ 276, Rim 15, POC J67, Syst. 15"	Diesel	FWD	1598	118	160	04.16-05.18	■	

VAUXHALL

ASTRA Mk VII (K) (B16) 07.15-					Estate (Compact car-C Segment)				
1.0 (B 10 XFL)	discØ 276, Rim 15, POC J67, Syst. 15"	Gasolina	FWD	999	77	105	04.16-08.19	■	
1.0 (D 10 XFL)	discØ 276, Rim 15, POC J67, Syst. 15"	Gasolina	FWD	999	77	105	04.16-08.19	■	
1.2 Turbo (F 12 SHL)	POC J67, discØ 276, Syst. 15"	Gasolina	FWD	1199	81	110	08.19-12.21	■	
1.2 Turbo (F 12 SHT)	POC J67, discØ 276, Syst. 15"	Gasolina	FWD	1199	96	131	08.19-12.21	■	
1.2 Turbo (F 12 SHR)	POC J67, discØ 276, Syst. 15"	Gasolina	FWD	1199	107	145	08.19-12.21	■	
1.4 Turbo (F 14 SHL)	POC J67, discØ 276, Syst. 15"	Gasolina	FWD	1342	107	145	08.19-12.21	■	
1.4 Turbo (F 14 SHT)	POC J67, discØ 276, Syst. 15"	Gasolina	FWD	1342	107	145	08.19-12.21	■	
1.4 (B 14 XE)	discØ 276, Rim 15, POC J67, Syst. 15"	Gasolina	FWD	1399	74	100	04.16-05.18	■	

LISTA DE APLICACIONES - BUYERS GUIDE

1.4 Turbo (B 14 XFL)	discØ 276, Rim 15, POC J67, Syst. 15"	Gasolina	FWD	1399	92	125	04.16-05.18	■	
1.4 Turbo (B 14 XFT)	discØ 276, Rim 15, POC J67, Syst. 15"	Gasolina	FWD	1399	110	150	04.16-08.19	■	
1.6 Turbo (B 16 SHT)	discØ 276, Rim 15, POC J67, Syst. 15"	Gasolina	FWD	1598	147	200	04.16-02.19	■	
1.4 CNG	Rim 15	Gasol./Gas (CNG)	FWD	1399	81	110	10.17-	■	
1.5 CRDi (D 15 DVC)	POC J67, discØ 276, Syst. 15"	Diesel	FWD	1496	77	105	08.19-12.21	■	
1.5 CRDi (F 15 DVC)	POC J67, discØ 276, Syst. 15"	Diesel	FWD	1496	77	105	08.19-12.21	■	
1.5 CRDi (D 15 DVH)	POC J67, discØ 276, Syst. 15"	Diesel	FWD	1496	90	122	08.19-12.21	■	
1.5 CRDi (F 15 DVH)	POC J67, discØ 276, Syst. 15"	Diesel	FWD	1496	90	122	08.19-12.21	■	
1.6 CDTi (B 16 DTE)	discØ 276, Rim 15, POC J67, Syst. 15"	Diesel	FWD	1598	70	95	04.16-05.18	■	
1.6 CDTi (B 16 DTE)	discØ 276, Rim 15, POC J67, Syst. 15"	Diesel	FWD	1598	81	110	07.15-12.21	■	
1.6 CDTi (B 16 DTU)	discØ 276, Rim 15, POC J67, Syst. 15"	Diesel	FWD	1598	81	110	07.15-12.21	■	
1.6 CDTi (D 16 DTI)	discØ 276, Rim 15, POC J67, Syst. 15"	Diesel	FWD	1598	81	110	07.15-12.21	■	
1.6 CDTi (B 16 DTH)	discØ 276, Rim 15, POC J67, Syst. 15"	Diesel	FWD	1598	100	136	04.16-08.19	■	
1.6 CDTi (D 16 DTH)	discØ 276, Rim 15, POC J67, Syst. 15"	Diesel	FWD	1598	100	136	04.16-08.19	■	
1.6 BiTurbo (D 16 DTR)	Rim 15, POC J67, discØ 276, Syst. 15"	Diesel	FWD	1598	110	150	07.18-02.19	■	
1.6 CDTi (B 16 DTR)	discØ 276, Rim 15, POC J67, Syst. 15"	Diesel	FWD	1598	118	160	04.16-05.18	■	
ASTRA Mk VII (K) (B16) 06.15-12.21							Hatchback (Compact car-C Segment)		
1.0 (B 10 XFL)	discØ 276, Rim 15, POC J67, Syst. 15"	Gasolina	FWD	999	77	105	04.16-08.19	■	
1.0 (D 10 XFL)	discØ 276, Rim 15, POC J67, Syst. 15"	Gasolina	FWD	999	77	105	04.16-08.19	■	
1.2 Turbo (F 12 SHL)	Rim 15, discØ 276, POC J67, Syst. 15"	Gasolina	FWD	1199	81	110	08.19-12.21	■	
1.2 Turbo (F 12 SHT)	Rim 15, discØ 276, POC J67, Syst. 15"	Gasolina	FWD	1199	96	131	08.19-12.21	■	
1.2 Turbo (F 12 SHR)	Rim 15, discØ 276, POC J67, Syst. 15"	Gasolina	FWD	1199	107	145	08.19-12.21	■	
1.4 Turbo (F 14 SHL)	Rim 15, discØ 276, POC J67, Syst. 15"	Gasolina	FWD	1342	107	145	08.19-12.21	■	
1.4 Turbo (F 14 SHT)	Rim 15, discØ 276, POC J67, Syst. 15"	Gasolina	FWD	1342	107	145	08.19-12.21	■	
1.4 (B 14 XE)	discØ 276, Rim 15, POC J67, Syst. 15"	Gasolina	FWD	1399	74	100	04.16-05.18	■	
1.4 Turbo (B 14 XFL)	discØ 276, Rim 15, POC J67, Syst. 15"	Gasolina	FWD	1399	92	125	04.16-05.18	■	
1.4 Turbo (B 14 XFT)	discØ 276, Rim 15, POC J67, Syst. 15"	Gasolina	FWD	1399	110	150	04.16-08.19	■	
1.6 Turbo (B 16 SHT)	discØ 276, Rim 15, POC J67, Syst. 15"	Gasolina	FWD	1598	147	200	04.16-02.19	■	
1.4 CNG	Rim 15	Gasol./Gas (CNG)	FWD	1399	81	110	10.17-	■	
1.5 CRDi (D 15 DVC)	Rim 15, discØ 276, POC J67, Syst. 15"	Diesel	FWD	1496	77	105	08.19-12.21	■	
1.5 CRDi (F 15 DVC)	Rim 15, discØ 276, POC J67, Syst. 15"	Diesel	FWD	1496	77	105	08.19-12.21	■	
1.5 CRDi (D 15 DVH)	Rim 15, discØ 276, POC J67, Syst. 15"	Diesel	FWD	1496	90	122	08.19-09.21	■	
1.5 CRDi (F 15 DVH)	Rim 15, discØ 276, POC J67, Syst. 15"	Diesel	FWD	1496	90	122	08.19-09.21	■	
1.6 CDTi (B 16 DTE)	discØ 276, Rim 15, POC J67, Syst. 15"	Diesel	FWD	1598	70	95	10.15-05.18	■	
1.6 CDTi (B 16 DTE)	discØ 276, Rim 15, POC J67, Syst. 15"	Diesel	FWD	1598	81	110	06.15-08.19	■	
1.6 CDTi (B 16 DTU)	discØ 276, Rim 15, POC J67, Syst. 15"	Diesel	FWD	1598	81	110	06.15-08.19	■	

LISTA DE APLICACIONES - BUYERS GUIDE

1.6 CDTi (D 16 DTI)	discØ 276, Rim 15, POC J67, Syst. 15"	Diesel	FWD	1598	81	110	06.15-08.19	■
1.6 CDTi (B 16 DTH)	discØ 276, Rim 15, POC J67, Syst. 15"	Diesel	FWD	1598	100	136	06.15-08.19	■
1.6 CDTi (D 16 DTH)	discØ 276, Rim 15, POC J67, Syst. 15"	Diesel	FWD	1598	100	136	06.15-08.19	■
1.6 BiTurbo (D 16 DTR)	Rim 15, POC J67, discØ 276, Syst. 15"	Diesel	FWD	1598	110	150	07.18-02.19	■
1.6 CDTi (B 16 DTR)	discØ 276, Rim 15, POC J67, Syst. 15"	Diesel	FWD	1598	118	160	11.15-05.18	■