

LISTA DE APLICACIONES - BUYERS GUIDE

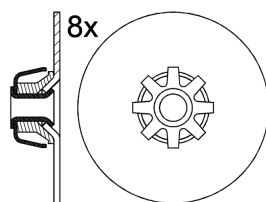
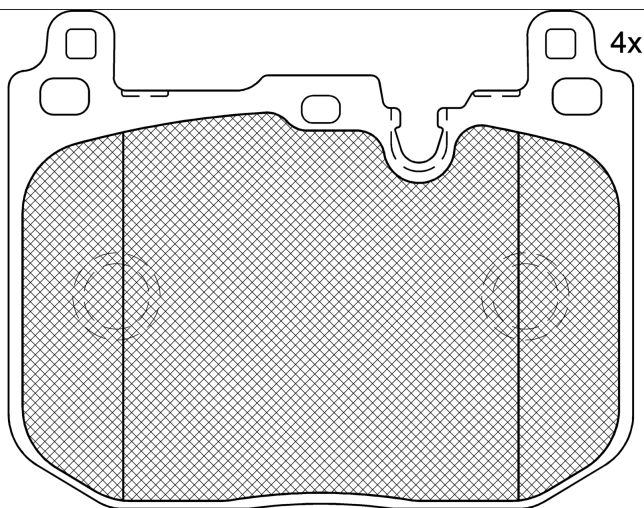
182247



Qty: 300

Weight: 1.850

O.E.M.	MAKE
34 10 6 860 020	MINI
34 10 6 884 224	MINI



1-Ref. 651740 E

182247

E 9 90R-02A0111/4485



Brembo

114.6x91.3x15

WVA	FMSI
22344	D1875-8991 D1875-9222

MAKE
MINI



Trac.	CC	Kw	CV
-------	----	----	----



Front / Rear

MINI

MINI (F57) 11.14-	Convertible (Supermini car-B Segment)							
One (B38 A12 A)	high-speed brake, Performance brakes	Gasolina	FWD	1198	75	102	03.16-10.17	■
Cooper (B36 A15 A)	high-speed brake, Performance brakes	Gasolina	FWD	1499	100	136	11.15-	■
Cooper (B38 A15 A)	high-speed brake, Performance brakes	Gasolina	FWD	1499	100	136	11.15-	■
Cooper S (B46 A20 A)	Performance brakes	Gasolina	FWD	1998	120	163	11.14-	■
Cooper S (B48 A20 A)	Performance brakes	Gasolina	FWD	1998	120	163	11.14-	■
Cooper S (B48 A20 A)	discØ 335, Sport JWC brakes	Gasolina	FWD	1998	131	178	11.20-	■
Cooper S (B48 A20 F)	discØ 335, Sport JWC brakes	Gasolina	FWD	1998	131	178	11.20-	■
Cooper S (B46 A20 A)	high-speed brake, Performance brakes	Gasolina	FWD	1998	141	192	11.15-	■
Cooper S (B48 A20 A)	high-speed brake, Performance brakes	Gasolina	FWD	1998	141	192	11.15-	■
Cooper S JCW (B46 A20 A)	Performance brakes	Gasolina	FWD	1998	155	211	11.15-	■
Cooper S JCW (B48 A20 A)	Performance brakes	Gasolina	FWD	1998	155	211	11.15-	■
John Cooper Works (B48 A20 B)		Gasolina	FWD	1998	170	231	03.16-	■
Cooper D (B37 C15 A)	high-speed brake, Performance brakes	Diesel	FWD	1496	85	116	11.15-	■
Cooper SD (B47 C20 A)	Performance brakes	Diesel	FWD	1995	120	163	05.15-07.19	■
Cooper SD (B47 C20 B)	Performance brakes	Diesel	FWD	1995	120	163	05.15-07.19	■
Cooper SD (B47 C20 A)	high-speed brake, Performance brakes	Diesel	FWD	1995	125	170	03.16-	■
Cooper SD (B47 C20 B)	high-speed brake, Performance brakes	Diesel	FWD	1995	125	170	03.16-	■

LISTA DE APLICACIONES - BUYERS GUIDE

MINI (F55) 09.13-						Hatchback (Supermini car-B Segment)			
One First (B38 A12 A)	high-speed brake, Performance brakes	Gasolina	FWD	1198	55	75	11.14-10.17	■	
One First (B38 A12 A)	high-speed brake, Performance brakes	Gasolina	FWD	1198	55	75	07.14-10.17	■	
One (B38 A12 A)	high-speed brake, Performance brakes	Gasolina	FWD	1198	75	102	05.14-10.17	■	
One (B38 A12 A)	high-speed brake, Performance brakes	Gasolina	FWD	1198	75	102	04.14-10.17	■	
One First (B38 A15 A)	Performance brakes	Gasolina	FWD	1499	55	75	11.17-	■	
One First (B38 A15 A)	Performance brakes	Gasolina	FWD	1499	55	75	11.17-	■	
One (B38 A15 A)	Performance brakes	Gasolina	FWD	1499	75	102	11.17-	■	
One (B38 A15 A)	Performance brakes	Gasolina	FWD	1499	75	102	11.17-	■	
Cooper (B36 A15 A)	high-speed brake, Performance brakes	Gasolina	FWD	1499	100	136	07.14-	■	
Cooper (B38 A15 A)	high-speed brake, Performance brakes	Gasolina	FWD	1499	100	136	07.14-	■	
Cooper (B36 A15 A)	high-speed brake, Performance brakes	Gasolina	FWD	1499	100	136	12.13-	■	
Cooper (B38 A15 A)	high-speed brake, Performance brakes	Gasolina	FWD	1499	100	136	12.13-	■	
Cooper S (B48 A20 A)	Performance brakes	Gasolina	FWD	1998	120	163	09.13-	■	
Cooper S (B48 A20 A)	high-speed brake, Performance brakes	Gasolina	FWD	1998	120	163	11.14-	■	
Cooper S (B46 A20 A)	high-speed brake, Performance brakes	Gasolina	FWD	1998	141	192	07.14-	■	
Cooper S (B48 A20 A)	high-speed brake, Performance brakes	Gasolina	FWD	1998	141	192	07.14-	■	
Cooper S (B46 A20 A)	high-speed brake, Performance brakes	Gasolina	FWD	1998	141	192	12.13-	■	
Cooper S (B48 A20 A)	high-speed brake, Performance brakes	Gasolina	FWD	1998	141	192	12.13-	■	
Cooper S (B48 A20 F)	high-speed brake, Performance brakes	Gasolina	FWD	1998	141	192	12.13-	■	
Cooper S JCW (B46 A20 A)	Performance brakes	Gasolina	FWD	1998	155	211	07.14-	■	
Cooper S JCW (B48 A20 A)	Performance brakes	Gasolina	FWD	1998	155	211	07.14-	■	
Cooper S JCW (B46 A20 A)	Performance brakes	Gasolina	FWD	1998	155	211	12.13-	■	
Cooper S JCW (B48 A20 A)	Performance brakes	Gasolina	FWD	1998	155	211	12.13-	■	
John Cooper Works (B46 A20 B)	high-speed brake, discØ 335	Gasolina	FWD	1998	170	231	03.15-	■	
John Cooper Works (B48 A20 B)	high-speed brake, discØ 335	Gasolina	FWD	1998	170	231	03.15-	■	
One D (B37 C15 A)	high-speed brake, Performance brakes	Diesel	FWD	1496	70	95	11.14-	■	
One D (B37 C15 A)	high-speed brake, Performance brakes	Diesel	FWD	1496	70	95	03.14-	■	
Cooper D (B37 C15 A)	high-speed brake, Performance brakes	Diesel	FWD	1496	85	116	07.14-	■	
Cooper D (B37 C15 A)	high-speed brake, Performance brakes	Diesel	FWD	1496	85	116	12.13-	■	
Cooper SD (B47 C20 A)	Performance brakes	Diesel	FWD	1995	120	163	09.13-	■	
Cooper SD (B47 C20 B)	Performance brakes	Diesel	FWD	1995	120	163	09.13-	■	
Cooper SD (B47 C20 A)	Performance brakes	Diesel	FWD	1995	120	163	06.14-	■	
Cooper SD (B47 C20 B)	Performance brakes	Diesel	FWD	1995	120	163	06.14-	■	
Cooper SD (B47 C20 A)	high-speed brake, Performance brakes	Diesel	FWD	1995	125	170	07.14-	■	
Cooper SD (B47 C20 A)	high-speed brake, Performance brakes	Diesel	FWD	1995	125	170	06.14-	■	
Cooper SD (B47 C20 B)	high-speed brake, Performance brakes	Diesel	FWD	1995	125	170	06.14-	■	
MINI CLUBMAN II (F54) 11.14-						Estate (Supermini car-B Segment)			
One (B38 A15 A)	high-speed brake, discØ 335, Sport JWC brakes	Gasolina	FWD	1499	75	102	11.15-01.24	■	
Cooper (B36 A15 A)	high-speed brake, discØ 335, Sport JWC brakes	Gasolina	FWD	1499	100	136	07.15-02.24	■	

LISTA DE APLICACIONES - BUYERS GUIDE

Cooper (B38 A15 A)	high-speed brake, discØ 335, Sport JWC brakes	Gasolina	FWD	1499	100	136	07.15-02.24	■	
Cooper S (B48 A20 A)	discØ 335, Sport JWC brakes	Gasolina	FWD	1998	120	163	11.14-	■	
Cooper S (B48 A20 F)	discØ 335, Sport JWC brakes	Gasolina	FWD	1998	120	163	11.14-	■	
Cooper S ALL4 (B48 A20 A)	discØ 335, Sport JWC brakes	Gasolina	4WD	1998	120	163	04.15-	■	
Cooper S (B46 A20 A)	discØ 335, Sport JWC brakes	Gasolina	FWD	1998	131	178	11.20-	■	
Cooper S (B48 A20 F)	discØ 335, Sport JWC brakes	Gasolina	FWD	1998	131	178	11.20-	■	
Cooper S ALL4 (B46 A20 A)	discØ 335, Sport JWC brakes	Gasolina	4WD	1998	131	178	11.20-	■	
Cooper S ALL4 (B48 A20 F)	discØ 335, Sport JWC brakes	Gasolina	4WD	1998	131	178	11.20-	■	
Cooper S (B46 A20 A)	high-speed brake, discØ 335, Sport JWC brakes	Gasolina	FWD	1998	141	192	11.14-	■	
Cooper S (B48 A20 A)	high-speed brake, discØ 335, Sport JWC brakes	Gasolina	FWD	1998	141	192	11.14-	■	
Cooper S (B48 A20 F)	high-speed brake, discØ 335, Sport JWC brakes	Gasolina	FWD	1998	141	192	11.14-	■	
Cooper S ALL4 (B48 A20 A)	high-speed brake, discØ 335, Sport JWC brakes	Gasolina	4WD	1998	141	192	03.16-01.24	■	
Cooper S JCW (B46 A20 A)	discØ 335, Sport JWC brakes	Gasolina	FWD	1998	155	211	11.14-06.18	■	
Cooper S JCW (B48 A20 A)	discØ 335, Sport JWC brakes	Gasolina	FWD	1998	155	211	11.14-06.18	■	
Cooper S JCW (B48 A20 F)	discØ 335, Sport JWC brakes	Gasolina	FWD	1998	155	211	11.14-06.18	■	
Cooper S JCW ALL4 (B48 A20 A)	discØ 335, Sport JWC brakes	Gasolina	4WD	1998	155	211	11.14-	■	
John Cooper Works (B48 A20 B)	high-speed brake, discØ 335	Gasolina	4WD	1998	170	231	11.16-06.19	■	
One D (B37 C15 A)	high-speed brake, discØ 335, Sport JWC brakes	Diesel	FWD	1496	85	116	11.15-01.24	■	
Cooper D (B47 C20 A)	discØ 335, Sport JWC brakes	Diesel	FWD	1995	100	136	12.14-07.19	■	
Cooper D (B47 C20 B)	discØ 335, Sport JWC brakes	Diesel	FWD	1995	100	136	12.14-07.19	■	
Cooper D (B47 C20 A)	high-speed brake, discØ 335, Sport JWC brakes	Diesel	FWD	1995	110	150	07.15-02.24	■	
Cooper D (B47 C20 B)	high-speed brake, discØ 335, Sport JWC brakes	Diesel	FWD	1995	110	150	07.15-02.24	■	
Cooper SD (B47 C20 A)	discØ 335, Sport JWC brakes	Diesel	FWD	1995	120	163	02.15-07.19	■	
Cooper SD (B47 C20 B)	discØ 335, Sport JWC brakes	Diesel	FWD	1995	120	163	02.15-07.19	■	
Cooper SD ALL4 (B47 C20 A)	discØ 335, Sport JWC brakes	Diesel	4WD	1995	120	163	04.15-07.19	■	
Cooper SD ALL4 (B47 C20 B)	discØ 335, Sport JWC brakes	Diesel	4WD	1995	120	163	04.15-07.19	■	
Cooper SD (B47 C20 A)	high-speed brake, discØ 335, Sport JWC brakes	Diesel	FWD	1995	140	190	02.15-01.24	■	
Cooper SD (B47 C20 B)	high-speed brake, discØ 335, Sport JWC brakes	Diesel	FWD	1995	140	190	02.15-01.24	■	
Cooper SD ALL4 (B47 C20 A)	high-speed brake, discØ 335, Sport JWC brakes	Diesel	4WD	1995	140	190	03.16-01.24	■	
Cooper SD ALL4 (B47 C20 B)	high-speed brake, discØ 335, Sport JWC brakes	Diesel	4WD	1995	140	190	03.16-01.24	■	
MINI COUNTRYMAN II (F60) 10.16-					Estate (Supermini car-B Segment)				
John Cooper Works ALL4 (B48 A20 B)	high-speed brake, discØ 335	Gasolina	4WD	1998	170	231	03.17-06.19	■	