

# LISTA DE APLICACIONES - BUYERS GUIDE

## 182248

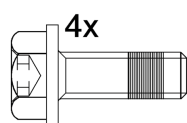
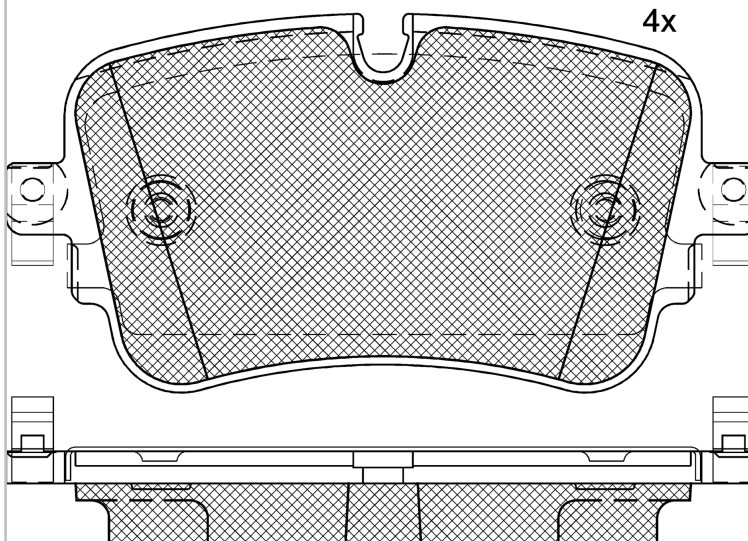


8 424073 14 1026

Qty: 300

Weight: 1.735

O.E.M.	MAKE
4KE 698 451 A	AUDI
4M0 698 451 BF	AUDI
4M0 698 451 F	VW
4M0 698 451 G	AUDI
4M0 698 451 L	AUDI
4M0 698 451 M	AUDI
4M0 698 451 N	AUDI
4M0 698 451 P	AUDI
4M0 698 451 R	AUDI
4M0698451BM	AUDI
4M0698451BP	AUDI
4N0 698 451 C	AUDI
8WD 698 451	AUDI (FAW)



1-Ref. 6901073 E

## 182248

**E 9** 90R-02A0111/4421



Trw

129.1x65.05x17

**WVA**  
22307

**FMSI**  
D1895-9123

**MAKE**

AUDI  
AUDI (FAW)  
VW



Trac.	CC	Kw	CV
-------	----	----	----



Front / Rear

### AUDI

#### A6 V C8 Avant (4A5) 05.18-

#### Estate (Executive car-E Segment)

Model	PR	Fuel	Trac.	CC	Kw	CV	Date	Status
40 TFSI 12V	PR 1KQ, PR 2EH	Gasolina	FWD	1984	140	190	04.20-	■
45 TFSI	PR 1KQ, PR 2EH	Gasolina	FWD	1984	180	245	04.20-	■
40 TFSI Mild Hybrid	PR 1KQ, PR 2EH	Gasol./el éc.	FWD	1984	140	190	02.19-	■
45 TFSI Mild Hybrid (DKNA)	PR 1KQ, PR 2EH	Gasol./el éc.	FWD	1984	180	245	08.18-	■
45 TFSI Mild Hybrid (DLHA)	PR 1KQ, PR 2EH	Gasol./el éc.	FWD	1984	180	245	08.18-	■
45 TFSI Mild hybrid quattro (DKNA)	PR 1KQ, PR 2EH	Gasol./el éc.	4WD	1984	180	245	08.18-	■
45 TFSI Mild hybrid quattro (DLHA)	PR 1KQ, PR 2EH	Gasol./el éc.	4WD	1984	180	245	08.18-	■
45 TFSI Mild Hybrid (DMTA)	PR 1KQ, PR 2EH	Gasol./el éc.	FWD	1984	195	265	05.20-	■
45 TFSI Mild hybrid quattro (DMTA)	PR 1KQ, PR 2EH	Gasol./el éc.	4WD	1984	195	265	05.20-	■
55 TFSI Mild Hybrid quattro (DLZA)	PR 1KQ, PR 2EH, discØ 350	Gasol./el éc.	4WD	2995	250	340	05.18-	■
30 TDI Mild Hybrid (DEZF)	PR 1KQ, PR 2EH	Diesel/el éc.	FWD	1968	100	136	01.19-	■
35 TDI Mild Hybrid (DEZD)	PR 1KQ, PR 2EH, discØ 350	Diesel/el éc.	FWD	1968	120	163	03.19-	■
35 TDI Mild Hybrid quattro	PR 1KQ, PR 2EH, discØ 350	Diesel/el éc.	4WD	1968	120	163	10.20-	■
40 TDI Mild Hybrid	PR 1KQ, PR 2EH, discØ 350	Diesel/el éc.	FWD	1968	140	190	02.19-	■
40 TDI Mild Hybrid (DFBA)	PR 1KQ, PR 2EH, discØ 350	Diesel/el éc.	FWD	1968	150	204	05.18-	■
40 TDI Mild Hybrid quattro (DFBA)	PR 1KQ, PR 2EH, discØ 350	Diesel/el éc.	4WD	1968	150	204	07.18-	■

# LISTA DE APLICACIONES - BUYERS GUIDE

45 TDI Mild Hybrid quattro (DDVF)	PR 1KQ, PR 2EH, discØ 350	Diesel/el éc.	4WD	2967	155	211	07.18-	■	
45 TDI Mild Hybrid quattro (DDVE)	PR 1KQ, PR 2EH, discØ 350	Diesel/el éc.	4WD	2967	170	231	05.18-	■	
50 TDI Mild Hybrid quattro (DDVB)	PR 1KQ, PR 2EH, discØ 350	Diesel/el éc.	4WD	2967	210	286	05.18-	■	
S6 TDI Mild Hybrid quattro	PR 1KQ, PR 1KX, PR 2EG, PR 2EH, PR 1KY, PR 2EL, discØ 350	Diesel/el éc.	4WD	2967	253	344	11.20-	■	
S6 TDI Mild Hybrid quattro (DEWA)	PR 1KQ, PR 1KX, PR 2EG, PR 2EH, PR 1KY, PR 2EL, discØ 350	Diesel/el éc.	4WD	2967	257	349	03.19-	■	
<b>A6 V Allroad C8 (4AH) 11.18-</b>					<b>Estate (Executive car-E Segment)</b>				
55 TDI Mild Hybrid quattro	PR 1KQ, PR 1KX, PR 2EG, PR 2EH, PR 1KY, PR 2EL, discØ 350	Diesel/el éc.	4WD	2967	253	344	11.20-	■	
55 TDI Mild Hybrid quattro (DEWA)	discØ 350, PR 1KQ, PR 2EH	Diesel/el éc.	4WD	2967	257	349	03.19-	■	
45 TDI quattro	PR 1KQ, PR 2EH	Diesel	4WD	2967	183	249	08.19-	■	
<b>A6 V C8 (4A2) 02.18-</b>					<b>Saloon (Executive car-E Segment)</b>				
45 TFSI quattro (DLHB)	PR 1KQ, PR 2EH	Gasolina	4WD	1984	185	252	11.19-	■	
40 TFSI Mild Hybrid	PR 1KQ, PR 2EH	Gasol./el éc.	FWD	1984	140	190	02.19-	■	
45 TFSI Mild Hybrid (DKNA)	PR 1KQ, PR 2EH	Gasol./el éc.	FWD	1984	180	245	08.18-	■	
45 TFSI Mild Hybrid (DLHA)	PR 1KQ, PR 2EH	Gasol./el éc.	FWD	1984	180	245	08.18-	■	
45 TFSI Mild hybrid quattro (DKNA)	PR 1KQ, PR 2EH	Gasol./el éc.	4WD	1984	180	245	08.18-	■	
45 TFSI Mild hybrid quattro (DLHA)	PR 1KQ, PR 2EH	Gasol./el éc.	4WD	1984	180	245	08.18-	■	
45 TFSI Mild Hybrid (DMTA)	PR 1KQ, PR 2EH	Gasol./el éc.	FWD	1984	195	265	05.20-	■	
45 TFSI Mild hybrid quattro (DMTA)	PR 1KQ, PR 2EH	Gasol./el éc.	4WD	1984	195	265	05.20-	■	
S6 TFSI Mild Hybrid quattro	PR 1KQ, PR 2EH	Gasol./el éc.	4WD	2894	331	450	01.20-	■	
55 TFSI Mild Hybrid quattro (DLZA)	PR 1KQ, PR 2EH, discØ 350	Gasol./el éc.	4WD	2995	250	340	02.18-	■	
30 TDI Mild Hybrid (DEZF)	PR 1KQ, PR 2EH	Diesel/el éc.	FWD	1968	100	136	01.19-	■	
35 TDI Mild Hybrid (DEZD)	PR 1KQ, PR 2EH, discØ 350	Diesel/el éc.	FWD	1968	120	163	03.19-	■	
35 TDI Mild Hybrid quattro	PR 1KQ, PR 2EH, discØ 350	Diesel/el éc.	4WD	1968	120	163	11.20-	■	
40 TDI Mild Hybrid (DFBA)	PR 1KQ, PR 2EH, discØ 350	Diesel/el éc.	FWD	1968	150	204	07.18-	■	
40 TDI Mild Hybrid quattro (DFBA)	PR 1KQ, PR 2EH, discØ 350	Diesel/el éc.	4WD	1968	150	204	07.18-	■	
45 TDI Mild Hybrid quattro (DDVF)	PR 1KQ, PR 2EH, discØ 350	Diesel/el éc.	4WD	2967	155	211	07.18-	■	
45 TDI Mild Hybrid quattro (DDVE)	PR 1KQ, PR 2EH, discØ 350	Diesel/el éc.	4WD	2967	170	231	07.18-	■	
50 TDI Mild Hybrid quattro (DDVB)	PR 1KQ, PR 2EH, discØ 350	Diesel/el éc.	4WD	2967	210	286	02.18-	■	
S6 TDI Mild Hybrid quattro	PR 1KQ, PR 2EH, discØ 350	Diesel/el éc.	4WD	2967	253	344	01.21-	■	
S6 TDI Mild Hybrid quattro (DEWA)	PR 1KQ, PR 2EH, discØ 350	Diesel/el éc.	4WD	2967	257	349	03.19-	■	
40 TDI	PR 1KQ, PR 2EH, discØ 350	Diesel	FWD	1968	140	190	02.19-	■	
<b>A7 II Sportback (4KA) 10.17-</b>					<b>Hatchback (Executive car-E Segment)</b>				
40 TFSI 12V (DKYA)	not ceramic disc, PR 1KQ, PR 2EH	Gasolina	FWD	1984	140	190	11.19-	■	
45 TFSI (DLHA)	not ceramic disc, PR 1KQ, PR 2EH	Gasolina	FWD	1984	180	245	11.19-	■	
45 TFSI Mild Hybrid (DKNA)	PR 1KQ, PR 2EH	Gasol./el éc.	FWD	1984	180	245	07.18-	■	

# LISTA DE APLICACIONES - BUYERS GUIDE

45 TFSI Mild Hybrid (DLHA)	PR 1KQ, PR 2EH	Gasol./el éc.	FWD	1984	180	245	07.18-	■	
45 TFSI Mild hybrid quattro (DKNA)	PR 1KQ, PR 2EH	Gasol./el éc.	4WD	1984	180	245	07.18-	■	
45 TFSI Mild hybrid quattro (DLHA)	PR 1KQ, PR 2EH	Gasol./el éc.	4WD	1984	180	245	07.18-	■	
45 TFSI Mild Hybrid	not ceramic disc, PR 1KQ, PR 2EH	Gasol./el éc.	FWD	1984	195	265	05.20-	■	
45 TFSI Mild hybrid quattro	not ceramic disc, PR 1KQ, PR 2EH	Gasol./el éc.	4WD	1984	195	265	05.20-	■	
50 TFSI e quattro (DLGA)	not ceramic disc, PR 1KQ, PR 2EH	Gasol./el éc.	4WD	1984	220	299	11.19-	■	
55 TFSI e quattro	not ceramic disc, PR 1KQ, PR 2EH	Gasol./el éc.	4WD	1984	270	367	07.19-	■	
S7 TFSI Mild Hybrid quattro	not ceramic disc, PR 1KQ, PR 2EH	Gasol./el éc.	4WD	2894	331	450	01.20-	■	
55 TFSI Mild Hybrid quattro (DLZA)	discØ 350, PR 1KQ, PR 2EH	Gasol./el éc.	4WD	2995	250	340	10.17-	■	
40 TDI Mild Hybrid (DFBA)	PR 1KQ, PR 2EH	Diesel/el éc.	FWD	1968	150	204	09.18-	■	
40 TDI Mild Hybrid quattro (DFBA)	PR 1KQ, PR 2EH	Diesel/el éc.	4WD	1968	150	204	09.18-	■	
45 TDI Mild Hybrid quattro (DDVF)	PR 1KQ, PR 2EH	Diesel/el éc.	4WD	2967	155	211	04.18-	■	
S7 TDI Mild Hybrid quattro (DEWA)	discØ 350, PR 1KQ, PR 2EH	Diesel/el éc.	4WD	2967	257	349	03.19-	■	
<b>A8 III D4 (4H2, 4H8, 4HC, 4HL) 11.09-</b>							<b>Saloon (Luxury car-F Segment)</b>		
3.0 TDI quattro (CTBD)	PR 1KY, PR 2EL	Diesel	4WD	2967	193	262	05.15-01.18	■	
<b>A8 IV D5 (4N2, 4N8, 4NC, 4NL, 4NX) 06.17-</b>							<b>Saloon (Luxury car-F Segment)</b>		
50 TFSI Mild Hybrid quattro (4N8) (CZSA)	discØ 350, PR 1KQ, PR 1KX, PR 2EG, PR 2EH, PR 1KY, PR 2EL	Gasol./el éc.	4WD	2995	210	286	07.18-	■	
55 TFSI Mild Hybrid quattro (CZSE)	PR 1KX, PR 1KY, PR 2EG, PR 2EL, discØ 350, PR 1KQ, PR 2EH	Gasol./el éc.	4WD	2995	250	340	06.17-	■	
60 TFSI e quattro (CZSE)	discØ 350, PR 1KQ, PR 1KX, PR 2EG, PR 2EH, PR 1KY, PR 2EL, not ceramic disc	Gasol./el éc.	4WD	2995	250	340	10.19-	■	
60 TFSI e quattro (CZSE)	PR 1KX, PR 1KY, PR 2EG, PR 2EL, PR 1KQ, PR 2EH	Gasol./el éc.	4WD	2995	330	449	10.19-	■	
60 TFSI e quattro		Gasol./el éc.	4WD	2995	340	462	11.21-	■	
60 TFSI Mild Hybrid quattro (CXYA)	discØ 350, PR 1KQ, PR 1KX, PR 2EG, PR 2EH, PR 1KY, PR 2EL	Gasol./el éc.	4WD	3996	338	460	05.18-	■	
S8 TFSI Mild Hybrid quattro (CWWB)	discØ 350, PR 1KQ, PR 1KX, PR 2EG, PR 2EH, PR 1KY, PR 2EL	Gasol./el éc.	4WD	3996	420	571	02.19-	■	
50 TDI Mild Hybrid quattro (DDVC)	PR 1KX, PR 1KY, PR 2EG, PR 2EL, discØ 350, PR 1KQ, PR 2EH	Diesel/el éc.	4WD	2967	210	286	06.17-	■	
60 TDI Mild Hybrid quattro (CVXB)	discØ 350, PR 1KQ, PR 1KX, PR 2EG, PR 2EH, PR 1KY, PR 2EL	Diesel/el éc.	4WD	3956	320	435	11.19-	■	
45 TDI quattro (CVMD)	discØ 350, PR 1KQ, PR 1KX, PR 2EG, PR 2EH, PR 1KY, PR 2EL	Diesel	4WD	2967	183	249	01.19-	■	
<b>E-TRON (GEN) 09.18-</b>							<b>SUV (Luxury Crossover SUV-J Segment)</b>		
50 quattro (EASB)	PR 1KQ, PR 1KW, PR 2EJ, discØ 350	Eléctrico	4WD		230	313	09.19-07.23	■	
50 quattro (EAWA)	PR 1KQ, PR 1KW, PR 2EJ, discØ 350	Eléctrico	4WD		230	313	09.19-07.23	■	
55 quattro (EASA)	PR 1KQ, PR 1KW, PR 2EJ, discØ 350	Eléctrico	4WD		300	408	09.18-07.23	■	
55 quattro (EAWA)	PR 1KQ, PR 1KW, PR 2EJ, discØ 350	Eléctrico	4WD		300	408	09.18-07.23	■	

# LISTA DE APLICACIONES - BUYERS GUIDE

<b>E-TRON Sportback (GEA) 09.19-</b>						<b>SUV (Luxury Crossover SUV-J Segment)</b>				
50 quattro (EASB)	PR 1KQ, PR 1KW, PR 2EJ, discØ 350	Eléctrico	4WD			230	313	09.19-07.23	■	
50 quattro (EAWA)	PR 1KQ, PR 1KW, PR 2EJ, discØ 350	Eléctrico	4WD			230	313	09.19-07.23	■	
55 quattro (EASA)	PR 1KQ, PR 1KW, PR 2EJ, discØ 350	Eléctrico	4WD			300	408	09.19-07.23	■	
55 quattro (EAWA)	PR 1KQ, PR 1KW, PR 2EJ, discØ 350	Eléctrico	4WD			300	408	09.19-07.23	■	
S quattro		Eléctrico	4WD			370	503	09.20-07.23	■	
<b>Q7 II (4MB, 4MG) 01.15-</b>						<b>SUV Van (Luxury Crossover SUV-J Segment)</b>				
3.0 45 TDI Mild Hybrid quattro	discØ 350, PR 1KD, PR 1KQ, PR 1KU, PR 2EA, not ceramic disc, PR 1KW	Diesel/el éc.	4WD	2967		170	231	07.18-12.19	■	
3.0 50 TDI Mild Hybrid quattro	discØ 350, PR 1KD, PR 1KQ, PR 1KU, PR 2EA, PR 1KW, not ceramic disc	Diesel/el éc.	4WD	2967		210	286	07.18-12.19	■	
3.0 TDI quattro	PR 1KD, PR 1KQ, PR 1KU, PR 1KW, discØ 350, PR 2EA, not ceramic disc	Diesel	4WD	2967		160	218	08.15-12.19	■	
3.0 TDI quattro	PR 1KD, PR 1KQ, PR 1KU, PR 1KW, discØ 350, PR 2EA, not ceramic disc	Diesel	4WD	2967		200	272	01.15-12.19	■	
4.0 SQ7 TDI quattro		Diesel	4WD	3956		320	435	04.16-	■	
<b>Q7 II (4MB, 4MG, 4MQ) 01.15-</b>						<b>SUV (Luxury Crossover SUV-J Segment)</b>				
45 TFSI quattro	not ceramic disc, PR 1KD, PR 1KW	Gasolina	4WD	1984		180	245	03.20-	■	
2.0 TFSI quattro (CYMC)	PR 1KD, PR 1KQ, PR 1KU, PR 1KW, discØ 350, PR 2EA, not ceramic disc	Gasolina	4WD	1984		185	252	08.15-	■	
2.0 TFSI quattro (CYRB)	PR 1KD, PR 1KQ, PR 1KU, PR 1KW, discØ 350, PR 2EA, not ceramic disc	Gasolina	4WD	1984		185	252	08.15-	■	
45 TFSI quattro		Gasolina	4WD	1984		195	265	11.22-	■	
3.0 TFSI quattro (CREC)	PR 1KD, PR 1KQ, PR 1KU, PR 1KW, discØ 350, PR 2EA, not ceramic disc	Gasolina	4WD	2995		245	333	01.15-12.19	■	
55 TFSI quattro (DCBD)	not ceramic disc, PR 1KD, PR 1KW	Gasolina	4WD	2995		250	340	03.20-	■	
55 TFSI quattro (DCBE)		Gasolina	4WD	2995		250	340	01.21-	■	
SQ7 quattro (DCUE)	PR 1KD, PR 1KQ, PR 1KU, PR 1KW, PR 2EA	Gasolina	4WD	3996		373	507	02.20-	■	
SQ7 quattro (DCUE)	PR 1KD, PR 1KQ, PR 1KU, PR 1KW, PR 2EA	Gasolina	4WD	3996		373	507	02.20-	■	
2.0 TFSI e-tron quattro (CVJA)	not ceramic disc, PR 1KD, PR 1KQ, PR 1KU, PR 1KW, PR 2EA	Gasol./el éc.	4WD	1984		270	367	02.16-12.19	■	
55 TFSI Mild Hybrid quattro (DCBD)	discØ 350, PR 1KD, PR 1KQ	Gasol./el éc.	4WD	2995		250	340	07.19-	■	
60 TFSI e quattro (DCBE)	PR 1KD, PR 2EA, discØ 350	Gasol./el éc.	4WD	2995		250	340	11.19-	■	
55 TFSI e quattro	not ceramic disc, PR 1KD, PR 1KW	Gasol./el éc.	4WD	2995		280	381	11.19-	■	
55 TFSI e quattro		Gasol./el éc.	4WD	2995		290	394	04.24-	■	
60 TFSI e quattro (DCBE)	PR 1KD, PR 2EA, discØ 350	Gasol./el éc.	4WD	2995		335	455	11.19-	■	
60 TFSI e quattro		Gasol./el éc.	4WD	2995		340	462	10.20-	■	
60 TFSI e quattro		Gasol./el éc.	4WD	2995		360	489	04.24-	■	
45 TDI Mild Hybrid quattro (DHXC)	discØ 350, PR 1KD, PR 1KQ, PR 1KU, PR 2EA, not ceramic disc, PR 1KW	Diesel/el éc.	4WD	2967		170	231	07.18-	■	
50 TDI Mild Hybrid quattro (DHXA)	discØ 350, PR 1KD, PR 1KQ, PR 1KU, PR 1KW, PR 2EA, not ceramic disc	Diesel/el éc.	4WD	2967		210	286	07.18-	■	

# LISTA DE APLICACIONES - BUYERS GUIDE

3.0 TDI e-tron quattro (CVZA)	PR 1KD, PR 1KQ, PR 1KU, PR 1KW, discØ 350, PR 2EA, not ceramic disc	Diesel/el éc.	4WD	2967	275	374	08.15-12.19	■	
3.0 TDI quattro (CZZB)	PR 1KD, PR 1KQ, PR 1KU, PR 1KW, discØ 350, PR 2EA, not ceramic disc	Diesel	4WD	2967	155	211	08.15-12.19	■	
3.0 TDI quattro (CRTE)	PR 1KD, PR 1KQ, PR 1KU, PR 1KW, discØ 350, PR 2EA, not ceramic disc	Diesel	4WD	2967	160	218	06.15-12.19	■	
3.0 TDI quattro (CZZA)	PR 1KD, PR 1KQ, PR 1KU, PR 1KW, discØ 350, PR 2EA, not ceramic disc	Diesel	4WD	2967	160	218	06.15-12.19	■	
3.0 TDI quattro (CVMD)	PR 1KD, PR 1KQ, PR 1KU, PR 1KW, discØ 350, PR 2EA, not ceramic disc	Diesel	4WD	2967	183	249	06.15-12.19	■	
45 TDI quattro		Diesel	4WD	2967	183	249	07.19-	■	
3.0 TDI quattro (CUEA)	PR 1KD, PR 1KQ, PR 1KU, PR 1KW, discØ 350, PR 2EA, not ceramic disc	Diesel	4WD	2967	190	258	08.15-12.19	■	
3.0 TDI quattro (CRTC)	PR 1KD, PR 1KQ, PR 1KU, PR 1KW, discØ 350, PR 2EA, not ceramic disc	Diesel	4WD	2967	200	272	01.15-12.19	■	
SQ7 TDI quattro (CZAC)		Diesel	4WD	3956	320	435	04.16-	■	
<b>Q8 (4MN, 4MT) 02.18-</b>							<b>SUV (Luxury Crossover SUV-J Segment)</b>		
45 TFSI	not ceramic disc, PR 1KD, PR 1KQ, PR 1KW, PR 2EA, PR 1KU, discØ 350	Gasolina	4WD	1984	180	245	07.20-	■	
45 TFSI quattro	not ceramic disc, PR 1KD, PR 1KQ, PR 1KW, PR 2EA, PR 1KU, discØ 350	Gasolina	4WD	1984	180	245	10.19-	■	
45 TFSI quattro		Gasolina	4WD	1984	195	265	04.23-	■	
SQ8 quattro (DCUE)		Gasolina	4WD	3996	373	507	02.20-	■	
55 TFSI Mild Hybrid quattro (DCBD)	PR 1KD, PR 1KQ, PR 1KW, PR 1KU, PR 2EA, discØ 350, not ceramic disc	Gasol./el éc.	4WD	2995	250	340	02.18-	■	
55 TFSI e quattro		Gasol./el éc.	4WD	2995	280	381	10.20-	■	
55 TFSI e quattro		Gasol./el éc.	4WD	2995	290	394	04.24-	■	
60 TFSI e quattro		Gasol./el éc.	4WD	2995	340	462	10.20-	■	
60 TFSI e quattro		Gasol./el éc.	4WD	2995	360	489	04.24-	■	
SQ8 Mild Hybrid quattro (DCUE)	not ceramic disc, PR 1KD, PR 1KQ, PR 1KW, PR 2EA, PR 1KU	Gasol./el éc.	4WD	3996	373	507	02.20-	■	
RS FSI Mild Hybrid quattro (DHUB)	not ceramic disc, PR 1KD, PR 1KQ, PR 1KW, PR 2EA, PR 1KU	Gasol./el éc.	4WD	3996	441	600	09.19-	■	
45 TDI Mild Hybrid quattro (DHXC)	PR 1KD, PR 1KQ, PR 1KW, PR 1KU, PR 2EA, discØ 350, not ceramic disc	Diesel/el éc.	4WD	2967	170	231	07.18-	■	
50 TDI Mild Hybrid quattro (DHXA)	PR 1KD, PR 1KQ, PR 1KW, PR 1KU, PR 2EA, discØ 350, not ceramic disc	Diesel/el éc.	4WD	2967	210	286	07.18-	■	
SQ8 TDI Mild Hybrid quattro (DHVA)	PR 1KD, PR 1KQ, PR 1KW, PR 1KU, PR 2EA, discØ 350	Diesel/el éc.	4WD	3956	320	435	05.18-	■	
45 TDI quattro	PR 1KD, PR 1KQ, PR 1KW, PR 1KU, PR 2EA, discØ 350, not ceramic disc	Diesel	4WD	2967	183	249	02.18-	■	
<b>Q8 E-TRON (GEG) 11.22-</b>							<b>SUV (Luxury Crossover SUV-J Segment)</b>		
50 quattro		Eléctrico	4WD		250	340	11.22-03.25	■	
50 quattro		Eléctrico	4WD		250	340	11.22-03.25	■	
55 quattro		Eléctrico	4WD		300	408	11.22-03.25	■	
55 quattro		Eléctrico	4WD		300	408	11.22-03.25	■	
SQ8 quattro		Eléctrico	4WD		370	503	11.22-03.25	■	
SQ8 quattro		Eléctrico	4WD		370	503	11.22-03.25	■	

# LISTA DE APLICACIONES - BUYERS GUIDE

## AUDI (FAW)

<b>E-TRON (GEB) 07.20-</b>					<b>SUV (Luxury Crossover SUV-J Segment)</b>			
EV (EASB, EAWA)	PR 1KQ, PR 1KW, PR 2EJ, discØ 350	Eléctrico	4WD		230	313	04.21-	■

## VW

<b>TOUAREG III (CR7, RC8) 11.17-</b>					<b>SUV (Luxury Crossover SUV-J Segment)</b>			
2.0 TSI 4motion	PR 1KQ, PR 1KU	Gasolina	4WD	1984	180	245	08.18-11.22	■
2.0 TFSI 4motion (CYRC)	PR 1KQ, PR 1KU	Gasolina	4WD	1984	183	249	05.18-11.23	■
2.0 TSI 4motion	PR 1KQ, PR 1KU	Gasolina	4WD	1984	185	252	09.18-11.23	■
3.0 TSI 4motion (DCBE)	PR 1KQ, PR 1KU	Gasolina	4WD	2995	250	340	03.18-	■
3.0 TDI 4motion (DEND)	ch- CRZJD000001, PR 1KQ, PR 1KU, discØ 350	Diesel	4WD	2967	170	231	05.18-	■
3.0 TDI 4motion (CVMD)	PR 1KQ, PR 1KU	Diesel	4WD	2967	183	249	01.18-11.23	■
3.0 TDI 4motion	PR 1KQ, PR 1KU	Diesel	4WD	2967	190	258	11.17-	■
3.0 TDI 4motion (DENA)	PR 1KQ, PR 1KU	Diesel	4WD	2967	210	286	11.17-	■
4.0 V8 TDI 4motion (DMVB)	discØ 350, PR 1KQ, PR 1KU	Diesel	4WD	3956	310	421	06.19-11.21	■