

LISTA DE APLICACIONES - BUYERS GUIDE

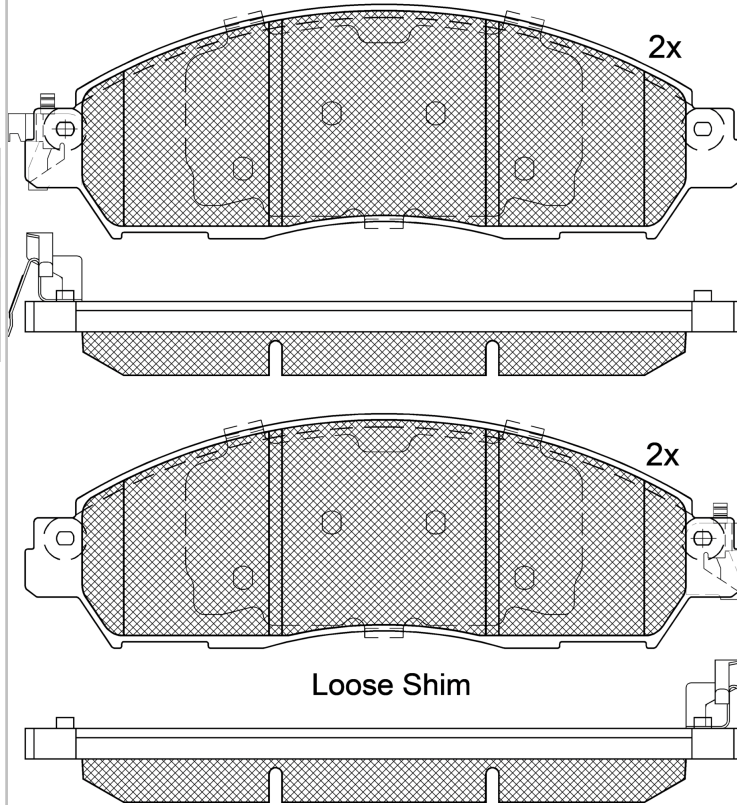
182249



Qty: 300

Weight: 2.080

| O.E.M. | MAKE |
|---------------|--------|
| D1030-4JA0A | NISSAN |
| D1060-4JA0A | NISSAN |
| D1060-4KH0C | NISSAN |
| D1060-4KJ1A | NISSAN |
| D1M60-4JA0A | NISSAN |
| D1MFM-4KJ1J | NISSAN |
| D1MFM-4KJ1JVA | NISSAN |



182249

E 9 90R-02A0111/4562



Akebono

165.6x54.1x17.6

| WVA | FMSI |
|--------------------|------------|
| 22439 | D1911-9141 |
| 22440 | |
| MAKE | |
| NISSAN | |
| NISSAN (ZHENGZHOU) | |
| RENAULT | |



| Trac. | CC | Kw | CV |
|-------|----|----|----|
| | | | |



Front / Rear

NISSAN

| FRONTIER II (D40) 01.04- | | | | | | | Pickup (Pick-Up Truck) | | | |
|--|----------------|----------------|-----|------|-----|-----|------------------------------------|---|--|--|
| 2.4 | 01/15-, Mexico | Gasolina | FWD | 2389 | 105 | 143 | 01.11- | ■ | | |
| 4.0 | 01/15-, Mexico | Gasolina | FWD | 3954 | 192 | 261 | 01.11- | ■ | | |
| 4.0 | 01/15-, Mexico | Gasolina | FWD | 3954 | 192 | 261 | 01.11- | ■ | | |
| NAVARA I (D22) 03.97- | | | | | | | Platform/Chassis (LCVs-N1 Segment) | | | |
| 2.4 | | Gasolina | RWD | 2389 | 105 | 143 | 09.13- | ■ | | |
| 2.4 4WD | | Gasolina | 4WD | 2389 | 105 | 143 | 09.13- | ■ | | |
| NAVARA III / NP300 (D23) 01.15- | | | | | | | Platform/Chassis (LCVs-N1 Segment) | | | |
| 2.3 dCi (YS23DDT) | | Diesel | RWD | 2298 | 120 | 163 | 01.15- | ■ | | |
| 2.3 dCi 4x4 (YS23DDT) | | Diesel | 4WD | 2298 | 120 | 163 | 01.15- | ■ | | |
| 2.5 DDTi | | Diesel | RWD | 2488 | 120 | 163 | 01.15- | ■ | | |
| NP300 NAVARA II / FRONTIER (D40) 10.04- | | | | | | | Pickup (Pick-Up Truck) | | | |
| 4.0 Fiex (VQ40DE) | | Gasol./Et anol | RWD | 3954 | 195 | 265 | 10.17- | ■ | | |
| 4.0 Flex 4WD (VQ40DE) | | Gasol./Et anol | 4WD | 3954 | 195 | 265 | 10.17- | ■ | | |
| NP300 NAVARA II / FRONTIER (D40) 07.08- | | | | | | | Platform/Chassis (LCVs-N1 Segment) | | | |
| 2.5 dCi | | Diesel | RWD | 2488 | 98 | 133 | 09.13- | ■ | | |
| NP300 NAVARA III / FRONTIER (D23, D23T) 07.14- | | | | | | | Pickup (Pick-Up Truck) | | | |
| 2.5 (QR25DE) | | Gasolina | RWD | 2488 | 116 | 158 | 11.14- | ■ | | |
| 2.5 | | Gasolina | FWD | 2488 | 122 | 166 | 01.15- | ■ | | |
| 2.5 (QR25DE) | | Gasolina | RWD | 2488 | 124 | 169 | 07.14- | ■ | | |
| 2.5 4x4 (QR25DE) | | Gasolina | 4WD | 2488 | 124 | 168 | 07.14- | ■ | | |

LISTA DE APLICACIONES - BUYERS GUIDE

| | | | | | | | | | |
|---|--|----------|-----|------|---|-----|-------------|---|--|
| 2.3 dCi | | Diesel | RWD | 2298 | 116 | 158 | 01.15- | ■ | |
| 2.3 dCi 4x4 (YS23DDT) | | Diesel | 4WD | 2298 | 116 | 158 | 07.15- | ■ | |
| 2.3 dCi 4x4 (YS23DDT) | | Diesel | 4WD | 2298 | 118 | 160 | 01.19-03.22 | ■ | |
| 2.3 dCi (D231) (YS23DDT) | | Diesel | RWD | 2298 | 120 | 163 | 01.15- | ■ | |
| 2.3 dCi 4x4 (D231) (YS23DDT) | | Diesel | 4WD | 2298 | 120 | 163 | 01.15- | ■ | |
| 2.3 dCi (YS23DDTT) | | Diesel | RWD | 2298 | 140 | 190 | 01.15- | ■ | |
| 2.3 dCi 4x4 (D231, D23T) (YS23DDTT) | | Diesel | 4WD | 2298 | 140 | 190 | 10.15- | ■ | |
| 2.5 dCi | | Diesel | RWD | 2488 | 106 | 144 | 10.14- | ■ | |
| 2.5 dCi (YD25DDTI) | | Diesel | RWD | 2488 | 120 | 163 | 07.14- | ■ | |
| 2.5 dCi 4x4 (YD25DDTI) | | Diesel | 4WD | 2488 | 120 | 163 | 07.14- | ■ | |
| 2.5 dCi | | Diesel | RWD | 2488 | 140 | 190 | 07.14- | ■ | |
| 2.5 dCi 4x4 (YD25DDTI) | | Diesel | 4WD | 2488 | 140 | 190 | 07.14- | ■ | |
| 3.0 dCi | | Diesel | RWD | 2993 | 170 | 231 | 10.14- | ■ | |
| NP300 NAVARA III / FRONTIER (D23) 09.13- | | | | | Platform/Chassis (LCVs-N1 Segment) | | | | |
| 2.5 dCi | | Diesel | RWD | 2488 | 98 | 133 | 09.13- | ■ | |
| NISSAN (ZHENGZHOU) | | | | | | | | | |
| TERRA 04.18- | | | | | SUV () | | | | |
| 2.4 4WD (QR25) | | Gasolina | 4WD | 2488 | 142 | 193 | 11.19- | ■ | |
| 2.5 (QR25) | | Gasolina | RWD | 2488 | 142 | 193 | 11.19- | ■ | |
| RENAULT | | | | | | | | | |
| ALASKAN 10.16- | | | | | Pickup (Pick-Up Truck) | | | | |
| 2.3 dCi 160 4x4 (M9T 260) | | Diesel | 4WD | 2298 | 118 | 160 | 10.20- | ■ | |
| 2.3 dCi 160 (U3MB) (M9T 260) | | Diesel | RWD | 2298 | 119 | 160 | 10.20- | ■ | |
| 2.3 dCi 163 | | Diesel | RWD | 2298 | 120 | 163 | 09.17- | ■ | |
| 2.3 dCi 163 4x4 (U3MB) (M9T 260) | | Diesel | 4WD | 2298 | 120 | 163 | 09.17- | ■ | |
| 2.3 dCi 190 4x4 (U3MD) (M9T 260) | | Diesel | 4WD | 2298 | 140 | 190 | 09.17- | ■ | |
| 2.3 dCi 190 Traccion trasera (M9T 260) | | Diesel | RWD | 2298 | 140 | 190 | 10.20- | ■ | |
| 2.5 dCi 4x4 (YD2 700) | | Diesel | 4WD | 2488 | 122 | 166 | 04.20- | ■ | |
| 2.5 dCi 190 4x4 (U3MA) | | Diesel | 4WD | 2488 | 140 | 190 | 10.16- | ■ | |