

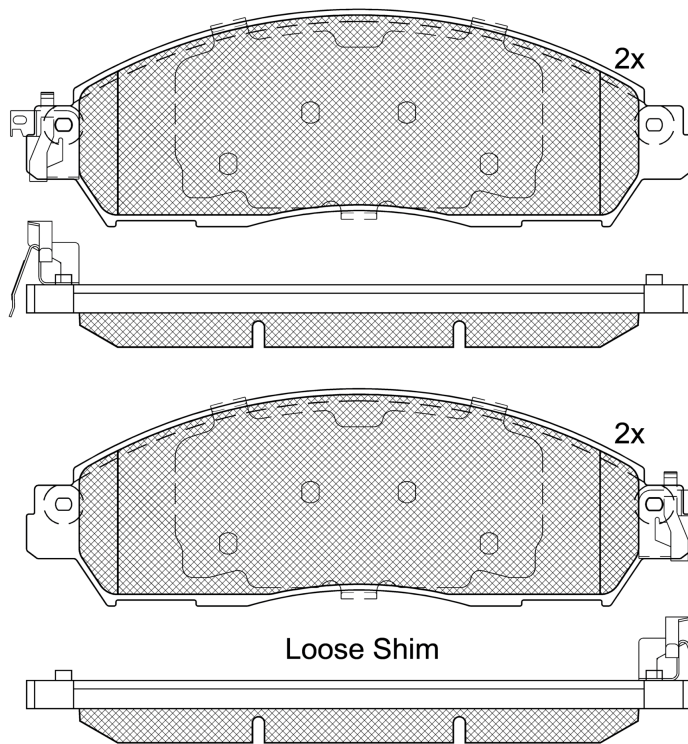
LISTA DE APLICACIONES - BUYERS GUIDE

182249-203



Qty: 300 Weight: 1.995

O.E.M.	MAKE
822-1081-1	-
AY040-NS178	NISSAN
D1060-3LM1C	NISSAN
D1060-5TA0A	NISSAN
D1060-5TA0B	NISSAN



182249-203

E 9 90R-02A0111/4416



Akebono

165.6x54.1x16.1

WVA	FMSI
22439	D2138-9375
22440	
MAKE	
NISSAN	
NISSAN (DFAC)	
SUZUKI	



Trac.	CC	Kw	CV	Hourglass icon	Front / Rear
-------	----	----	----	----------------	--------------

NISSAN								
LEAF II (ZE1) 08.17-						Hatchback (Executive car-E Segment)		
Electric (EM57)		Eléctrico	FWD		110	150	08.17-	■
Electric (EM57)		Eléctrico	FWD		160	218	01.19-	■
NV200 02.10-						Van (LCVs-N1 Segment)		
e-NV (ME0N) (EM57)		Eléctrico	FWD		80	109	05.14-	■
NV200 EVALIA 07.10-						Bus (Minibus-M2-Segment)		
e-NV (ME0M) (EM57)		Eléctrico	FWD		80	109	07.14-	■
SERENA V (C27) 08.16-						MPV (Large MPV-M1 Segment)		
2.0		Gasolina	FWD	1997	110	150	08.16-	■
2.0		Gasolina	FWD	1997	110	150	08.16-	■
1.2 e-Power (HR12DE)		Gasol./el éc.	FWD	1197	62	84	03.18-	■
1.2 Combined e-Power (HR12DE)		Gasol./el éc.	FWD	1198	100	136	03.18-	■
2.0 S-Hybrid		Gasol./el éc.	4WD	1997	110	150	08.16-	■
2.0 S-Hybrid (C27L) (MR20DD)		Gasol./el éc.	FWD	1997	110	150	08.16-	■
NISSAN (DFAC)								
SYLPHY III (B17) 07.12-03.16						Saloon ()		
Zero Emission		Eléctrico	FWD		80	109	09.18-	■
SUZUKI								
LANDY II (SC27) 12.16-						MPV (Large MPV-M1 Segment)		
2.0 (MR20)		Gasolina	FWD	1997	110	150	12.16-	■

LISTA DE APLICACIONES - BUYERS GUIDE

2.0 (MR20)		Gasol./el éc.	FWD	1997	110	150	12.16-	■
2.0 Hybrid 4WD (MR20)		Gasol./el éc.	4WD	1997	110	150	12.16-	■