

# LISTA DE APLICACIONES - BUYERS GUIDE

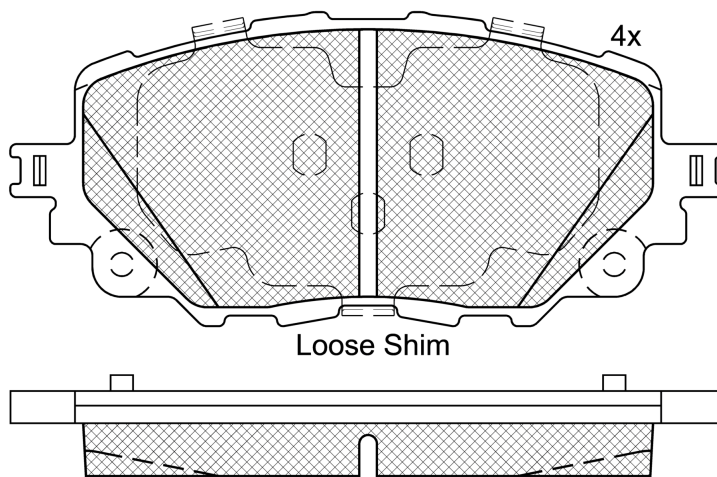
## 182251



Qty: 300

Weight: 1.215

O.E.M.	MAKE
6 000 615 055	FIAT
GHY1-33-247	MAZDA
N2Y3-33-28ZA	MAZDA
N2Y3-33-28ZB	MAZDA
N2Y3-33-28ZC	MAZDA
N2Y3-33-28ZD	MAZDA
N2Y3-33-29ZB	MAZDA
NAYJ-33-28Z	MAZDA
NAYJ-33-28ZA	MAZDA
IFY0-33-28Z	MAZDA



## 182251

E 9 90R-02A0111/4611



Advics

122.1x53.6x15.1

WVA	FMSI
22271	D1903-9130
MAKE	
ABARTH	
FIAT	
MAZDA	



Trac.	CC	Kw	CV		
Front / Rear					

### ABARTH

124 Spider 03.16-							Convertible (Sport compact car-C Segment)		
1.4 (348) (552 53 268)	Eq.V_ BR4, not sports package	Gasolina	RWD	1368	125	170	03.16-	■	

### FIAT

124 Spider (348_) 03.16-							Convertible (Sport compact car-C Segment)		
1.4 (348) (552 53 268)	Eq.V_ BR4, not sports package	Gasolina	RWD	1368	103	140	03.16-	■	
1.4	not sports package	Gasolina	FWD	1368	118	160	03.16-	■	
1.4	not sports package	Gasolina	FWD	1368	122	166	08.16-	■	

### MAZDA

MX-5 IV (ND_) 04.15-							Convertible (Sports car-S Segment)		
1.5 (ND2E, ND5R) (P5-VPR)		Gasolina	RWD	1496	96	131	06.15-	■	
1.5 (ND6E, ND5RC) (P5X1)		Gasolina	RWD	1496	97	132	05.18-	■	
2.0		Gasolina	RWD	1998	114	155	11.15-	■	
2.0 (ND2E, ND6E) (PEX4)	01/16-	Gasolina	RWD	1998	118	160	06.15-	■	
2.0 (ND2E, ND6E) (PEX6)	01/16-	Gasolina	RWD	1998	118	160	06.15-	■	
2.0 (ND6E, NDERC) (PE-VPR)		Gasolina	RWD	1998	135	184	05.18-	■	
2.0 (ND6E, NDERC) (PEXF)		Gasolina	RWD	1998	135	184	05.18-	■	

MX-5 IV RF (ND) 10.16-							Targa (Sports car-S Segment)		
1.5		Gasolina	RWD	1496	96	131	08.17-	■	
1.5 (ND6E) (P5X1)		Gasolina	RWD	1496	97	132	05.18-	■	
2.0 (PEX6)		Gasolina	RWD	1998	116	158	10.16-	■	
2.0 (ND2E) (PEX6)		Gasolina	RWD	1998	118	160	12.16-	■	
2.0 (ND6E) (PEXF)		Gasolina	RWD	1998	135	184	05.18-	■	

# LISTA DE APLICACIONES - BUYERS GUIDE