

LISTA DE APLICACIONES - BUYERS GUIDE

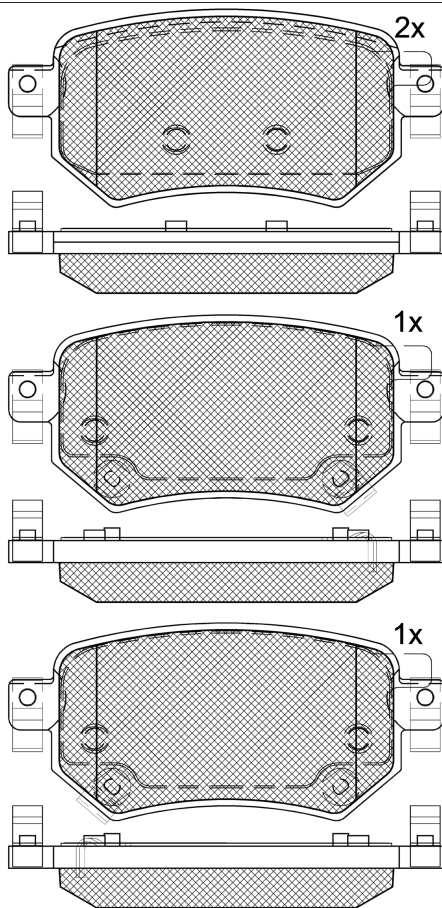
182263



Qty: 300

Weight: 935

O.E.M.	MAKE
GDYL-26-43Z	MAZDA
GMYO-26-43Z	MAZDA
GMYO-26-43ZA	MAZDA
GMYO-26-43ZB	MAZDA
GMYO2643ZC	MAZDA



182263

E 9 90R-02A0111/4546



Trw

104.1x47.3x15.5

WVA	FMSI
22349	D1874-9103
22350	
22351	

MAKE
CHEVROLET (SGM)
MAZDA
MAZDA (FAW)



Trac.	CC	Kw	CV			Front / Rear
-------	----	----	----	--	--	--------------

CHEVROLET (SGM)

TRAX (SJ3) 04.14-	SUV (Mini SUV-J Segment)						
1.4 T	Gasolina	FWD	1372	105	143	11.16-	■

MAZDA

6 III / ATENZA (GJ) 01.13-05.16	Estate Van (Executive car-E Segment)							
2.0 (PEY7)	elec.brake detention	Gasolina	FWD	1998	107	145	04.15-05.16	■
2.0 (PEY7)	elec.brake detention	Gasolina	FWD	1998	121	165	04.15-05.16	■
2.5 (PYY1)	elec.brake detention	Gasolina	FWD	2488	141	192	04.15-05.16	■
2.2 D (SHY4)	elec.brake detention	Diesel	FWD	2191	110	150	04.15-05.16	■
2.2 D AWD (SHY4)	elec.brake detention	Diesel	4WD	2191	110	150	01.13-05.16	■
2.2 D (SHY4)	elec.brake detention	Diesel	FWD	2191	129	175	04.15-05.16	■
2.2 D AWD (SHY4)	elec.brake detention	Diesel	4WD	2191	129	175	04.15-05.16	■

6 III / ATENZA (GJ, GL) 08.12-	Estate (Executive car-E Segment)							
2.0	01/16-, elec.brake detention	Gasolina	FWD	1997	114	155	07.14-	■
2.0 (GJEFW) (PEXB)	01/16-, elec.brake detention	Gasolina	FWD	1998	107	146	01.13-	■
2.0 (GJEFW) (PEXL)	01/16-, elec.brake detention	Gasolina	FWD	1998	107	146	01.13-	■
2.0 (GJEFW) (PEY5)	01/16-, elec.brake detention	Gasolina	FWD	1998	107	146	01.13-	■
2.0 (GJEFW) (PEY7)	01/16-, elec.brake detention	Gasolina	FWD	1998	107	146	01.13-	■
2.0 (GJEFW, GJ107) (PE-VPR)	01/16-, elec.brake detention	Gasolina	FWD	1998	114	155	12.12-	■
2.0 (GJEFW, GJ107) (PEY7)	01/16-, elec.brake detention	Gasolina	FWD	1998	114	155	12.12-	■
2.0 (GJEFW) (PEXB)	01/16-, elec.brake detention	Gasolina	FWD	1998	121	165	01.13-	■
2.0 (GJEFW) (PEXL)	01/16-, elec.brake detention	Gasolina	FWD	1998	121	165	01.13-	■
2.0 (GJEFW) (PEY5)	01/16-, elec.brake detention	Gasolina	FWD	1998	121	165	01.13-	■
2.0 (GJEFW) (PEY7)	01/16-, elec.brake detention	Gasolina	FWD	1998	121	165	01.13-	■

LISTA DE APLICACIONES - BUYERS GUIDE

2.5 (GJ5FW, GJ1031) (PYY1)	elec.brake detention	Gasolina	FWD	2488	136	185	12.12-	■
2.5 (GJ5FW, GJ1031) (PYY3)	elec.brake detention	Gasolina	FWD	2488	136	185	12.12-	■
2.5 (GJ5FW, GJ1031)	01/16-, elec.brake detention	Gasolina	FWD	2488	138	188	12.12-	■
2.5 (PY-RPR-PYZC)		Gasolina	FWD	2488	140	190	03.18-	■
2.5 (PYY1)	01/16-, elec.brake detention	Gasolina	FWD	2488	141	192	12.12-	■
2.5 (PY-Y8)	01/16-, elec.brake detention	Gasolina	FWD	2488	141	192	12.12-	■
2.5 (PY-ZA)	01/16-, elec.brake detention	Gasolina	FWD	2488	141	192	12.12-	■
2.5 (PYZ8)		Gasolina	FWD	2488	143	194	03.18-	■
2.5 (PYZC)		Gasolina	FWD	2488	143	194	03.18-	■
2.2 D (GJ2FW, GJ1021, GJ1022, GL1021) (SH-VPTR)	01/16-, elec.brake detention	Diesel	FWD	2188	129	175	07.14-	■
2.2 D 4WD (GJ2AW) (SH-VPTR)	01/16-, elec.brake detention	Diesel	4WD	2188	129	175	07.14-	■
2.2 D (SH-VPTR)		Diesel	FWD	2188	140	190	06.18-	■
2.2 D (SH-VPTR)		Diesel	FWD	2188	140	190	06.18-	■
2.2 D AWD (SH-VPTR)		Diesel	4WD	2188	140	190	06.18-	■
2.2 D (SHY1)	01/16-, elec.brake detention	Diesel	FWD	2191	110	150	10.12-12.20	■
2.2 D (SHY4)	01/16-, elec.brake detention	Diesel	FWD	2191	110	150	10.12-12.20	■
2.2 D (SHY6)	01/16-, elec.brake detention	Diesel	FWD	2191	110	150	10.12-12.20	■
2.2 D (SHY8)	01/16-, elec.brake detention	Diesel	FWD	2191	110	150	10.12-12.20	■
2.2 D AWD (SHY4)	01/16-, elec.brake detention	Diesel	4WD	2191	110	150	12.12-12.20	■
2.2 D AWD (SHY6)	01/16-, elec.brake detention	Diesel	4WD	2191	110	150	12.12-12.20	■
2.2 D AWD (SHY8)	01/16-, elec.brake detention	Diesel	4WD	2191	110	150	12.12-12.20	■
2.2 D (GJ2FW, GJ692) (SHY4)	01/16-, elec.brake detention	Diesel	FWD	2191	129	175	08.12-02.18	■
2.2 D (GJ2FW, GJ692) (SHY6)	01/16-, elec.brake detention	Diesel	FWD	2191	129	175	08.12-02.18	■
2.2 D AWD (SHY4)	01/16-, elec.brake detention	Diesel	4WD	2191	129	175	02.15-	■
2.2 D (SHY8)		Diesel	FWD	2191	135	184	03.18-12.20	■
2.2 D AWD (SHY8)		Diesel	4WD	2191	135	184	03.18-12.20	■
2.2 D (SHY8)		Diesel	FWD	2191	140	190	03.18-	■
6 III / ATENZA (GJ, GL) 12.12-				Saloon (Executive car-E Segment)				
2.0	01/16-, elec.brake detention	Gasolina	FWD	1997	114	155	07.14-	■
2.0 (GJ2, GL2, GL6) (PEXB)	01/16-, elec.brake detention	Gasolina	FWD	1998	107	146	01.13-	■
2.0 (GJ2, GL2, GL6) (PEXL)	01/16-, elec.brake detention	Gasolina	FWD	1998	107	146	01.13-	■
2.0 (GJ2, GL2, GL6) (PEY5)	01/16-, elec.brake detention	Gasolina	FWD	1998	107	146	01.13-	■
2.0 (GJ2, GL2, GL6) (PEY7)	01/16-, elec.brake detention	Gasolina	FWD	1998	107	146	01.13-	■
2.0 (PEXL)	elec.brake detention	Gasolina	FWD	1998	110	150	12.12-02.18	■
2.0 (PEY7)	elec.brake detention	Gasolina	FWD	1998	110	150	12.12-02.18	■
2.0 (GJEFP) (PE-VPR)	01/16-, elec.brake detention	Gasolina	FWD	1998	114	155	12.12-	■
2.0 (GJEFP) (PEY5)	01/16-, elec.brake detention	Gasolina	FWD	1998	114	155	12.12-	■
2.0 (GJEFP) (PEY7)	01/16-, elec.brake detention	Gasolina	FWD	1998	114	155	12.12-	■
2.0 (GJEFP) (PEXB)	01/16-, elec.brake detention	Gasolina	FWD	1998	121	165	01.13-	■
2.0 (GJEFP) (PEXL)	01/16-, elec.brake detention	Gasolina	FWD	1998	121	165	01.13-	■
2.0 (GJEFP) (PEY5)	01/16-, elec.brake detention	Gasolina	FWD	1998	121	165	01.13-	■
2.0 (GJEFP) (PEY7)	01/16-, elec.brake detention	Gasolina	FWD	1998	121	165	01.13-	■
2.5	01/16-, elec.brake detention	Gasolina	FWD	2488	137	186	09.13-	■
2.5 (GJ5FP, GJ1031) (PY-VPR)	01/16-, elec.brake detention	Gasolina	FWD	2488	138	188	12.12-	■
2.5 (GJ5FP, GJ1031) (PYY1)	01/16-, elec.brake detention	Gasolina	FWD	2488	138	188	12.12-	■
2.5 (GJ5FP, GL1032, GL1033) (PY-RPR)		Gasolina	FWD	2488	140	190	03.18-	■
2.5 (GJ5FP, GL1032, GL1033) (PYZC)		Gasolina	FWD	2488	140	190	03.18-	■
2.5 (GJ5FP, GL1032, GL1033) (PYY1)	01/16-, elec.brake detention	Gasolina	FWD	2488	141	192	01.13-	■
2.5 (GJ5FP, GL1032, GL1033) (PY-Y8)	01/16-, elec.brake detention	Gasolina	FWD	2488	141	192	01.13-	■
2.5 (GJ5FP, GL1032, GL1033) (PY-ZA)	01/16-, elec.brake detention	Gasolina	FWD	2488	141	192	01.13-	■
2.5 (PYZ8)		Gasolina	FWD	2488	143	194	03.18-	■

LISTA DE APLICACIONES - BUYERS GUIDE

2.5 (PYZC)		Gasolina	FWD	2488	143	194	03.18-	■	
2.5 (GJ5FP, GL1032, GL1033) (PYZ4)		Gasolina	FWD	2488	170	231	03.18-	■	
2.2 D (GJ2FP, GJ1021, GJ1022, GL1021) (SH-VPTR)	01/16-, elec.brake detention	Diesel	FWD	2188	129	175	07.14-	■	
2.2 D 4WD (GJ2AP) (SH-VPTR)	01/16-, elec.brake detention	Diesel	4WD	2188	129	175	07.14-	■	
2.2 D AWD (SH-VPTR)		Diesel	4WD	2188	140	190	06.18-	■	
2.2 D (GJ2FP) (SHY1)	01/16-, elec.brake detention	Diesel	FWD	2191	110	150	12.12-11.20	■	
2.2 D (GJ2FP) (SHY4)	01/16-, elec.brake detention	Diesel	FWD	2191	110	150	12.12-11.20	■	
2.2 D (GJ2FP) (SHY6)	01/16-, elec.brake detention	Diesel	FWD	2191	110	150	12.12-11.20	■	
2.2 D (GJ2FP) (SHY8)	01/16-, elec.brake detention	Diesel	FWD	2191	110	150	12.12-11.20	■	
2.2 D (GJ2FP, GJ1021, GJ1022, GL1021) (SHY1)	01/16-, elec.brake detention	Diesel	FWD	2191	129	175	12.12-	■	
2.2 D (SHY8)		Diesel	FWD	2191	135	184	03.18-11.20	■	
2.2 D (SHY8)		Diesel	FWD	2191	140	190	03.18-	■	
MAZDA (FAW)									
6 ATENZA 05.14-						Saloon (Executive car-E Segment)			
2.0	elec.brake detention	Gasolina	FWD	1998	116	158	05.14-	■	
2.5	elec.brake detention	Gasolina	FWD	2488	141	192	05.14-	■	
CX-4 06.16-						SUV (Compact SUV-J Segment)			
2.0		Gasolina	FWD	1998	116	158	06.16-	■	
2.5		Gasolina	FWD	2488	141	192	06.16-	■	
2.5 AWD (PY)		Gasolina	4WD	2488	141	192	06.16-	■	