

# LISTA DE APLICACIONES - BUYERS GUIDE

## 182264

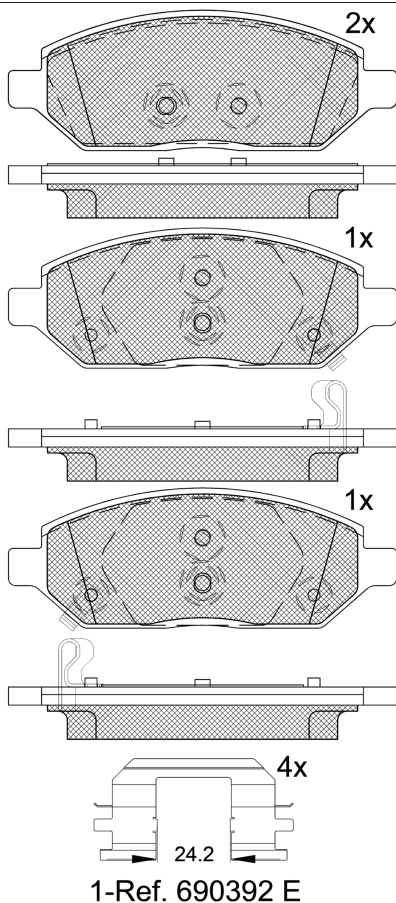


8 424073 149916

Qty: 300

Weight: 1.325

O.E.M.	MAKE
16 05 313	VAUXHALL
16 05 324	OPEL
42 349 235	OPEL
42 364 987	OPEL
42 439 338	OPEL
42364987	VAUXHALL
95 526 463	VAUXHALL



## 182264

**E 9** 90R-02A0111/4482



ERA

128.9x46.75x18

WVA	FMSI
22326	D2024-9254
22327	
22328	

MAKE
CHEVROLET
OPEL
VAUXHALL



Trac.	CC	Kw	CV
-------	----	----	----



Front / Rear

### CHEVROLET

#### SPARK IV (M400) 11.15-

#### Hatchback (City car-A Segment)

Power	Disc	Fuel	Trac.	CC	Kw	CV	Period	Icon
1.0	01/16-, discØ 236	Gasolina	FWD	999	55	75	11.15-	■
1.4 (LV7)	01/16-, discØ 236	Gasolina	FWD	1399	73	99	11.15-	■
1.4 (LV7)	01/16-, discØ 236	Gasolina	FWD	1399	74	101	11.15-	■

### OPEL

#### KARL (C16) 01.15-

#### Hatchback (City car-A Segment)

Power	Disc	Fuel	Trac.	CC	Kw	CV	Period	Icon
1.0	discØ 236, 01/16-, -ch GC581619	Gasolina	FWD	999	52	71	06.15-	■
1.0 (D 10 XE)		Gasolina	FWD	999	54	73	01.18-03.19	■
1.0 (B 10 XE)	discØ 236, 01/16-, -ch GC581619	Gasolina	FWD	999	55	75	01.15-03.18	■
1.0 LPG (B 10 XL)	discØ 236, 01/16-, -ch GC581619	Gasol./Gas (LPG)	FWD	999	54	73	02.15-03.18	■

### VAUXHALL

#### VIVA (C16) 01.15-

#### Hatchback (City car-A Segment)

Power	Disc	Fuel	Trac.	CC	Kw	CV	Period	Icon
1.0	discØ 236	Gasolina	FWD	999	52	71	06.15-	■
1.0 (D 10 XE)		Gasolina	FWD	999	54	73	01.18-03.19	■
1.0 (B 10 XE)	discØ 236	Gasolina	FWD	999	55	75	01.15-03.18	■
1.0 LPG (B 10 XL)	discØ 236	Gasol./Gas (LPG)	FWD	999	54	73	06.15-03.18	■
1.0 LPG (D 10 XE)	discØ 236	Gasol./Gas (LPG)	FWD	999	54	73	06.15-03.18	■