

LISTA DE APLICACIONES - BUYERS GUIDE

182265

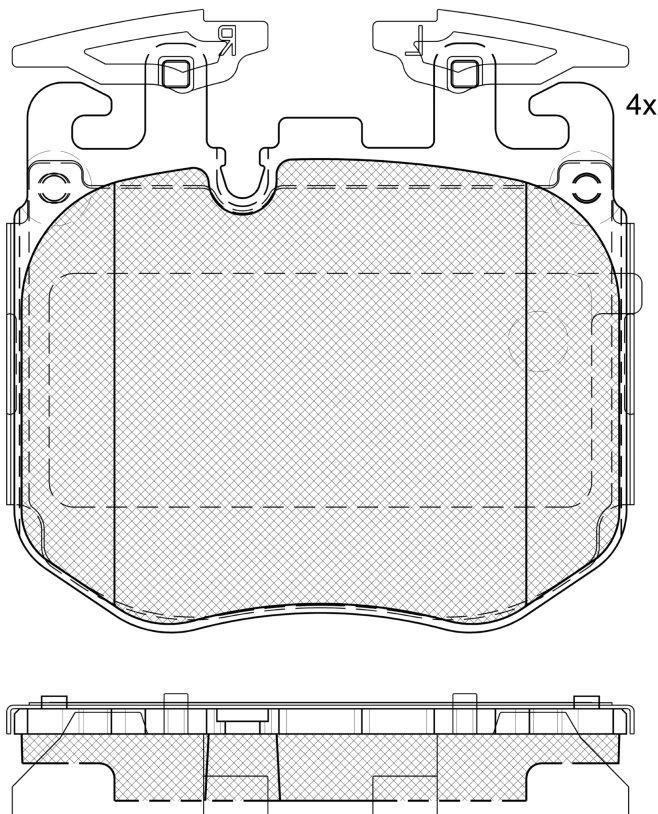


8 424073 149930

Qty: 300

Weight: 3.740

| O.E.M. | MAKE |
|-----------------|------|
| 34 10 6 883 510 | BMW |
| 34 10 6 888 459 | BMW |
| 34 10 8 064 560 | BMW |
| 34 10 8 064 562 | BMW |
| 34 10 8 094 045 | BMW |
| 34 11 6 874 431 | BMW |
| 34 11 6 874 432 | BMW |
| 34 11 6 888 460 | BMW |
| 34 11 6 889 585 | BMW |
| 34108064561 | BMW |
| 6874431 | BMW |
| 6874432 | BMW |
| 6883510 | BMW |
| 6888459 | BMW |
| 6888460 | BMW |
| 6889585 | BMW |
| 8064560 | BMW |
| 8064561 | BMW |



182265

E 9 90R-02A0111/4545



Brembo

124.9x117.3x19.6

| WVA | FMSI |
|------------------|------------|
| 22392 | D1868-9098 |
| 22618 | |
| MAKE | |
| ALPINA | |
| BMW | |
| BMW (BRILLIANCE) | |
| ROLLS-ROYCE | |



| Trac. | CC | Kw | CV |
|-------|----|----|----|
|-------|----|----|----|



Front / Rear

ALPINA

| | | | | | | | | |
|------------------------------------|---------------|-----|------|-----|-----|---|---|--|
| B3 VII (G20) 09.19- | | | | | | Saloon (Compact executive car-D Segment) | | |
| BITURBO A las 4 ruedas | Gasolina | 4WD | 2993 | 340 | 462 | 09.19-12.25 | ■ | |
| B3 VII Touring (G21) 09.19- | | | | | | Estate (Compact executive car-D Segment) | | |
| BITURBO A las 4 ruedas | Gasolina | 4WD | 2993 | 340 | 462 | 09.19-12.25 | ■ | |
| B7 V (G12) 02.16- | | | | | | Saloon (Luxury car-F Segment) | | |
| BITURBO A las 4 ruedas (N63 B44 C) | Gasolina | 4WD | 4395 | 447 | 608 | 02.16-12.22 | ■ | |
| BITURBO A las 4 ruedas (N63 M30 A) | Gasolina | 4WD | 4395 | 447 | 608 | 02.16-12.22 | ■ | |
| D3 III (G20) 05.20- | | | | | | Saloon (Compact executive car-D Segment) | | |
| S (B57 D30 B) | Diesel/el éc. | 4WD | 2993 | 261 | 355 | 05.20-12.25 | ■ | |
| D3 III Touring (G21) 05.20- | | | | | | Estate (Compact executive car-D Segment) | | |
| S (B57 D30 B) | Diesel/el éc. | 4WD | 2993 | 261 | 355 | 05.20-12.25 | ■ | |
| XB7 (G07) 05.20- | | | | | | SUV (Luxury Crossover SUV-J Segment) | | |
| BITURBO (N63 B44 D) | Gasolina | 4WD | 4395 | 457 | 621 | 05.20-11.25 | ■ | |

BMW

| | | | | | | | | |
|-------------------------------------|------------------|----------|------|------|-----|--------------------------------------|--------|--|
| 2 Serie II (G42, G87) 08.21- | | | | | | Coupe (Compact car-C Segment) | | |
| 218i | Gasolina | RWD | 1998 | 115 | 156 | 07.22- | ■ | |
| 230 i xDrive (B48 B20 B) | Gasolina | 4WD | 1998 | 190 | 258 | 08.21- | ■ | |
| M240 i (B58 B30 C) | Eq.V_ Motorsport | Gasolina | RWD | 2998 | 245 | 333 | 08.22- | |
| M240 i | Eq.V_ Motorsport | Gasolina | RWD | 2998 | 275 | 374 | 07.22- | |

LISTA DE APLICACIONES - BUYERS GUIDE

| | | | | | | | | | |
|---|---|---------------|-----|------|---|-----|-------------|---|--|
| M240 i xDrive | M technique, discØ 374, SA 033T | Gasolina | 4WD | 2998 | 275 | 374 | 08.21- | ■ | |
| M240 i (B58 B30 B) | Eq.V_ Motorsport | Gasolina | RWD | 2998 | 285 | 387 | 07.22- | ■ | |
| M240 i xDrive (B58 B30 B) | Eq.V_ Motorsport | Gasolina | 4WD | 2998 | 285 | 387 | 08.22- | ■ | |
| 3 Serie VII (G20, G80, G28) 11.18- | | | | | Saloon (Compact executive car-D Segment) | | | | |
| 320 i 1.6 (B48 B16 A) | Performance M, discØ 374 | Gasolina | RWD | 1597 | 125 | 170 | 03.19- | ■ | |
| 318i (B48 B20 A) | discØ 374, Performance M | Gasolina | RWD | 1998 | 115 | 156 | 03.20- | ■ | |
| 320i (B48 B20 A) | Performance M | Gasolina | RWD | 1998 | 135 | 184 | 03.19- | ■ | |
| 320i (B48 B20 B) | Performance M | Gasolina | RWD | 1998 | 135 | 184 | 03.19- | ■ | |
| 320 i xDrive (B48 B20 A) | Performance M, discØ 375 | Gasolina | 4WD | 1998 | 135 | 184 | 07.19- | ■ | |
| 330i (B46 B20 B) | Performance M | Gasolina | RWD | 1998 | 190 | 258 | 11.18- | ■ | |
| 330i (B48 B20 B) | Performance M | Gasolina | RWD | 1998 | 190 | 258 | 11.18- | ■ | |
| 330 i xDrive (B46 B20 B) | Performance M, discØ 374 | Gasolina | 4WD | 1998 | 190 | 258 | 11.18- | ■ | |
| 330 i xDrive (B48 B20 B) | Performance M, discØ 374 | Gasolina | 4WD | 1998 | 190 | 258 | 11.18- | ■ | |
| 330 Li (B48 B20 B) | | Gasolina | RWD | 1998 | 190 | 255 | 02.21- | ■ | |
| M 340 i xDrive (B58 B30 B) | M technique, Eq.V_ S33TA, discØ 374, Performance M, M-sport package | Gasolina | 4WD | 2998 | 275 | 374 | 07.19- | ■ | |
| M 340 i | | Gasolina | RWD | 2998 | 285 | 387 | 03.19- | ■ | |
| M 340 i xDrive (B58 B30 B) | Performance M, discØ 374, SA S33TA | Gasolina | 4WD | 2998 | 285 | 387 | 03.19- | ■ | |
| 2.0 320i ActiveFlex (B42T20A) | | Gasol./Etanol | RWD | 1998 | 135 | 184 | 01.21- | ■ | |
| 320 e Plug-in-Hybrid (B48 B20 A) | discØ 374, Performance M | Gasol./eléc. | RWD | 1998 | 120 | 163 | 07.20- | ■ | |
| 320 e Plug-in-Hybrid (GC1) | discØ 374, Performance M | Gasol./eléc. | RWD | 1998 | 120 | 163 | 07.20- | ■ | |
| 330 e Plug-in-Hybrid (B46 B20 B) | Performance M, discØ 375 | Gasol./eléc. | RWD | 1998 | 135 | 184 | 07.19- | ■ | |
| 330 e Plug-in-Hybrid (B48 B20 A) | Performance M, discØ 375 | Gasol./eléc. | RWD | 1998 | 135 | 184 | 07.19- | ■ | |
| 330 e Plug-in-Hybrid (B48 B20 B) | Performance M, discØ 375 | Gasol./eléc. | RWD | 1998 | 135 | 184 | 07.19- | ■ | |
| 330 e Plug-in-Hybrid (GC1) | Performance M, discØ 375 | Gasol./eléc. | RWD | 1998 | 135 | 184 | 07.19- | ■ | |
| 330 e Plug-in-Hybrid xDrive (B46 B20 B) | Performance M, discØ 375 | Gasol./eléc. | 4WD | 1998 | 135 | 184 | 07.20- | ■ | |
| 330 e Plug-in-Hybrid xDrive (B48 B20 A) | Performance M, discØ 375 | Gasol./eléc. | 4WD | 1998 | 135 | 184 | 07.20- | ■ | |
| 330 e Plug-in-Hybrid xDrive (GC1) | Performance M, discØ 375 | Gasol./eléc. | 4WD | 1998 | 135 | 184 | 07.20- | ■ | |
| 320 e Plug-in-Hybrid (B48 B20 A) | discØ 374, Performance M | Gasol./eléc. | RWD | 1998 | 150 | 204 | 07.20- | ■ | |
| 320 e Plug-in-Hybrid (GC1) | discØ 374, Performance M | Gasol./eléc. | RWD | 1998 | 150 | 204 | 07.20- | ■ | |
| 330 e Plug-in-Hybrid (B46 B20 B) | Performance M, discØ 375 | Gasol./eléc. | RWD | 1998 | 185 | 252 | 07.19-02.20 | ■ | |
| 330 e Plug-in-Hybrid (B48 B20 A) | Performance M, discØ 375 | Gasol./eléc. | RWD | 1998 | 185 | 252 | 07.19-02.20 | ■ | |
| 330 e Plug-in-Hybrid (B48 B20 B) | Performance M, discØ 375 | Gasol./eléc. | RWD | 1998 | 185 | 252 | 07.19-02.20 | ■ | |
| 330 e Plug-in-Hybrid (GC1) | Performance M, discØ 375 | Gasol./eléc. | RWD | 1998 | 185 | 252 | 07.19-02.20 | ■ | |
| 330 e Plug-in-Hybrid (B46 B20 B) | Performance M, discØ 375 | Gasol./eléc. | RWD | 1998 | 215 | 292 | 07.19- | ■ | |
| 330 e Plug-in-Hybrid (B48 B20 B) | Performance M, discØ 375 | Gasol./eléc. | RWD | 1998 | 215 | 292 | 07.19- | ■ | |
| 330 e Plug-in-Hybrid (GC1) | Performance M, discØ 375 | Gasol./eléc. | RWD | 1998 | 215 | 292 | 07.19- | ■ | |
| 330 e Plug-in-Hybrid xDrive (B46 B20 B) | Performance M, discØ 374 | Gasol./eléc. | 4WD | 1998 | 215 | 292 | 07.20- | ■ | |
| 330 e Plug-in-Hybrid xDrive (B48 B20 A) | Performance M, discØ 374 | Gasol./eléc. | 4WD | 1998 | 215 | 292 | 07.20- | ■ | |
| 330 e Plug-in-Hybrid xDrive (GC1) | Performance M, discØ 374 | Gasol./eléc. | 4WD | 1998 | 215 | 292 | 07.20- | ■ | |

LISTA DE APLICACIONES - BUYERS GUIDE

| | | | | | | | | | |
|--|---|---------------|-----|------|---|-----|-------------|---|--|
| M 340 i Mild-Hybrid xDrive (B58 B30 B) | M technique, Performance M, discØ 374, SA S33TA | Gasol./el éc. | 4WD | 2998 | 275 | 374 | 11.20- | ■ | |
| M 340 i Mild-Hybrid xDrive (JA1) | M technique, Performance M, discØ 374, SA S33TA | Gasol./el éc. | 4WD | 2998 | 275 | 374 | 11.20- | ■ | |
| 316 d Mild-Hybrid (B47 D20 B) | discØ 374, Performance M | Diesel/el éc. | RWD | 1995 | 85 | 116 | 11.20- | ■ | |
| 316 d Mild-Hybrid (JA1) | discØ 374, Performance M | Diesel/el éc. | RWD | 1995 | 85 | 116 | 11.20- | ■ | |
| 316 d Mild-Hybrid (B47 D20 B) | discØ 374, Performance M | Diesel/el éc. | RWD | 1995 | 90 | 122 | 08.20- | ■ | |
| 316 d Mild-Hybrid (JA1) | discØ 374, Performance M | Diesel/el éc. | RWD | 1995 | 90 | 122 | 08.20- | ■ | |
| 318 d Mild-Hybrid (B47 D20 B) | discØ 374, Performance M | Diesel/el éc. | RWD | 1995 | 100 | 136 | 04.20- | ■ | |
| 318 d Mild-Hybrid (JA1) | discØ 374, Performance M | Diesel/el éc. | RWD | 1995 | 100 | 136 | 04.20- | ■ | |
| 318 d Mild-Hybrid (B47 D20 B) | discØ 374, Performance M | Diesel/el éc. | RWD | 1995 | 110 | 150 | 04.20- | ■ | |
| 318 d Mild-Hybrid (JA1) | discØ 374, Performance M | Diesel/el éc. | RWD | 1995 | 110 | 150 | 04.20- | ■ | |
| 320 d Mild-Hybrid (B47 D20 B) | Performance M, discØ 374 | Diesel/el éc. | RWD | 1995 | 120 | 163 | 03.20- | ■ | |
| 320 d Mild-Hybrid (JA1) | Performance M, discØ 374 | Diesel/el éc. | RWD | 1995 | 120 | 163 | 03.20- | ■ | |
| 320 d Mild-Hybrid xDrive (B47 D20 B) | Performance M, discØ 374 | Diesel/el éc. | 4WD | 1995 | 120 | 163 | 03.20- | ■ | |
| 320 d Mild-Hybrid xDrive (JA1) | Performance M, discØ 374 | Diesel/el éc. | 4WD | 1995 | 120 | 163 | 03.20- | ■ | |
| 320 d Mild-Hybrid (B47 D20 B) | Performance M, discØ 374 | Diesel/el éc. | RWD | 1995 | 140 | 190 | 03.20- | ■ | |
| 320 d Mild-Hybrid (JA1) | Performance M, discØ 374 | Diesel/el éc. | RWD | 1995 | 140 | 190 | 03.20- | ■ | |
| 320 d Mild-Hybrid xDrive (B47 D20 B) | Performance M, discØ 374 | Diesel/el éc. | 4WD | 1995 | 140 | 190 | 03.20- | ■ | |
| 320 d Mild-Hybrid xDrive (JA1) | Performance M, discØ 374 | Diesel/el éc. | 4WD | 1995 | 140 | 190 | 03.20- | ■ | |
| 330 d Mild-Hybrid (B57 D30 B) | discØ 374, Performance M | Diesel/el éc. | RWD | 2993 | 210 | 286 | 11.20- | ■ | |
| 330 d Mild-Hybrid (JA1) | discØ 374, Performance M | Diesel/el éc. | RWD | 2993 | 210 | 286 | 11.20- | ■ | |
| 330 d Mild-Hybrid xDrive (B57 D30 B) | discØ 374, Performance M | Diesel/el éc. | 4WD | 2993 | 210 | 286 | 11.20- | ■ | |
| 330 d Mild-Hybrid xDrive (JA1) | discØ 374, Performance M | Diesel/el éc. | 4WD | 2993 | 210 | 286 | 11.20- | ■ | |
| M340 d Mild-Hybrid xDrive (B57 D30 B) | Performance M, discØ 374 | Diesel/el éc. | 4WD | 2993 | 250 | 340 | 04.20- | ■ | |
| M340 d Mild-Hybrid xDrive (JA1) | Performance M, discØ 374 | Diesel/el éc. | 4WD | 2993 | 250 | 340 | 04.20- | ■ | |
| 316 d (B47 D20 B) | discØ 374, Performance M | Diesel | RWD | 1995 | 85 | 116 | 11.20- | ■ | |
| 316 d (B47 D20 B) | Performance M, discØ 374 | Diesel | RWD | 1995 | 90 | 122 | 03.20- | ■ | |
| 318 d (B47 D20 B) | Performance M, discØ 374 | Diesel | RWD | 1995 | 100 | 136 | 03.19-03.20 | ■ | |
| 318 d (B47 D20 B) | | Diesel | RWD | 1995 | 110 | 150 | 03.19-03.20 | ■ | |
| 320 d (B47 D20 B) | | Diesel | RWD | 1995 | 120 | 163 | 11.18-02.20 | ■ | |
| 320 d xDrive (B47 D20 B) | | Diesel | 4WD | 1995 | 120 | 163 | 11.18-02.20 | ■ | |
| 320 d (B47 D20 B) | | Diesel | RWD | 1995 | 140 | 190 | 11.18- | ■ | |
| 320 d xDrive (B47 D20 B) | | Diesel | 4WD | 1995 | 140 | 190 | 11.18-02.20 | ■ | |
| 330 d (B57 D30 A) | Performance M, discØ 374 | Diesel | RWD | 2993 | 195 | 265 | 03.19- | ■ | |
| 330 d xDrive (B57 D30 A) | Performance M, discØ 374 | Diesel | 4WD | 2993 | 195 | 265 | 07.19- | ■ | |
| 3 Serie VII Touring (G21, G81) 07.19- | | | | | Estate (Compact executive car-D Segment) | | | | |
| 318i (B48 B20 A) | Performance M, discØ 374 | Gasolina | RWD | 1998 | 115 | 156 | 03.20- | ■ | |
| 320i (B46 B20 B) | Performance M, discØ 374 | Gasolina | RWD | 1998 | 135 | 184 | 11.19- | ■ | |
| 320i (B48 B20 A) | Performance M, discØ 374 | Gasolina | RWD | 1998 | 135 | 184 | 11.19- | ■ | |
| 330i | | Gasolina | RWD | 1998 | 180 | 245 | 07.19- | ■ | |
| 330 i xDrive | | Gasolina | 4WD | 1998 | 180 | 245 | 07.19- | ■ | |

LISTA DE APLICACIONES - BUYERS GUIDE

| | | | | | | | | |
|---|--------------------------|---------------|-----|------|-----|-----|--------|---|
| 330i (B48 B20 B) | Performance M, discØ 374 | Gasolina | RWD | 1998 | 190 | 258 | 07.19- | ■ |
| 330 i xDrive (B48 B20 B) | Performance M, discØ 374 | Gasolina | 4WD | 1998 | 190 | 258 | 07.19- | ■ |
| M 340 i xDrive (B58 B30 B) | Performance M, discØ 374 | Gasolina | 4WD | 2998 | 275 | 374 | 11.19- | ■ |
| M 340 i xDrive (B58 B30 B) | discØ 374, Performance M | Gasolina | 4WD | 2998 | 285 | 387 | 11.19- | ■ |
| 320 e Plug-in-Hybrid (B48 B20 A) | discØ 374, Performance M | Gasol./el éc. | RWD | 1998 | 120 | 163 | 07.20- | ■ |
| 320 e Plug-in-Hybrid (GC1) | discØ 374, Performance M | Gasol./el éc. | RWD | 1998 | 120 | 163 | 07.20- | ■ |
| 320 e Plug-in-Hybrid xDrive | discØ 374, Performance M | Gasol./el éc. | 4WD | 1998 | 120 | 163 | 03.21- | ■ |
| 330 e Plug-in-Hybrid (B48 B20 A) | Performance M, discØ 374 | Gasol./el éc. | RWD | 1998 | 135 | 184 | 07.20- | ■ |
| 330 e Plug-in-Hybrid (GC1) | Performance M, discØ 374 | Gasol./el éc. | RWD | 1998 | 135 | 184 | 07.20- | ■ |
| 330 e Plug-in-Hybrid xDrive (B48 B20 A) | Performance M, discØ 374 | Gasol./el éc. | 4WD | 1998 | 135 | 184 | 07.20- | ■ |
| 330 e Plug-in-Hybrid xDrive (GC1) | Performance M, discØ 374 | Gasol./el éc. | 4WD | 1998 | 135 | 184 | 07.20- | ■ |
| 320 e Plug-in-Hybrid (B48 B20 A) | discØ 374, Performance M | Gasol./el éc. | RWD | 1998 | 150 | 204 | 07.20- | ■ |
| 320 e Plug-in-Hybrid (GC1) | discØ 374, Performance M | Gasol./el éc. | RWD | 1998 | 150 | 204 | 07.20- | ■ |
| 320 e Plug-in-Hybrid xDrive | discØ 374, Performance M | Gasol./el éc. | 4WD | 1998 | 150 | 204 | 03.21- | ■ |
| 330 e Plug-in-Hybrid (B48 B20 A) | Performance M, discØ 374 | Gasol./el éc. | RWD | 1998 | 215 | 292 | 07.20- | ■ |
| 330 e Plug-in-Hybrid (GC1) | Performance M, discØ 374 | Gasol./el éc. | RWD | 1998 | 215 | 292 | 07.20- | ■ |
| 330 e Plug-in-Hybrid xDrive (B48 B20 A) | Performance M, discØ 374 | Gasol./el éc. | 4WD | 1998 | 215 | 292 | 07.20- | ■ |
| 330 e Plug-in-Hybrid xDrive (GC1) | Performance M, discØ 374 | Gasol./el éc. | 4WD | 1998 | 215 | 292 | 07.20- | ■ |
| M 340 i Mild-Hybrid xDrive (B58 B30 B) | discØ 374, Performance M | Gasol./el éc. | 4WD | 2998 | 275 | 374 | 11.20- | ■ |
| M 340 i Mild-Hybrid xDrive (JA1) | discØ 374, Performance M | Gasol./el éc. | 4WD | 2998 | 275 | 374 | 11.20- | ■ |
| 316 d Mild-Hybrid (B47 D20 B) | discØ 374, Performance M | Diesel/el éc. | RWD | 1995 | 85 | 116 | 11.20- | ■ |
| 316 d Mild-Hybrid (JA1) | discØ 374, Performance M | Diesel/el éc. | RWD | 1995 | 85 | 116 | 11.20- | ■ |
| 316 d Mild-Hybrid (B47 D20 B) | Performance M, discØ 374 | Diesel/el éc. | RWD | 1995 | 90 | 122 | 07.20- | ■ |
| 316 d Mild-Hybrid (JA1) | Performance M, discØ 374 | Diesel/el éc. | RWD | 1995 | 90 | 122 | 07.20- | ■ |
| 318 d Mild-Hybrid (B47 D20 B) | discØ 374, Performance M | Diesel/el éc. | RWD | 1995 | 100 | 136 | 08.20- | ■ |
| 318 d Mild-Hybrid (JA1) | discØ 374, Performance M | Diesel/el éc. | RWD | 1995 | 100 | 136 | 08.20- | ■ |
| 318 d Mild-Hybrid (B47 D20 B) | discØ 374, Performance M | Diesel/el éc. | RWD | 1995 | 110 | 150 | 08.20- | ■ |
| 318 d Mild-Hybrid (JA1) | discØ 374, Performance M | Diesel/el éc. | RWD | 1995 | 110 | 150 | 08.20- | ■ |
| 320 d Mild-Hybrid (B47 D20 B) | Performance M, discØ 374 | Diesel/el éc. | RWD | 1995 | 120 | 163 | 03.20- | ■ |
| 320 d Mild-Hybrid (JA1) | Performance M, discØ 374 | Diesel/el éc. | RWD | 1995 | 120 | 163 | 03.20- | ■ |
| 320 d Mild-Hybrid xDrive (B47 D20 B) | Performance M, discØ 374 | Diesel/el éc. | 4WD | 1995 | 120 | 163 | 03.20- | ■ |
| 320 d Mild-Hybrid xDrive (JA1) | Performance M, discØ 374 | Diesel/el éc. | 4WD | 1995 | 120 | 163 | 03.20- | ■ |
| 320 d Mild-Hybrid (B47 D20 B) | Performance M, discØ 374 | Diesel/el éc. | RWD | 1995 | 140 | 190 | 03.20- | ■ |
| 320 d Mild-Hybrid (JA1) | Performance M, discØ 374 | Diesel/el éc. | RWD | 1995 | 140 | 190 | 03.20- | ■ |
| 320 d Mild-Hybrid xDrive (B47 D20 B) | Performance M, discØ 374 | Diesel/el éc. | 4WD | 1995 | 140 | 190 | 03.20- | ■ |
| 320 d Mild-Hybrid xDrive (JA1) | Performance M, discØ 374 | Diesel/el éc. | 4WD | 1995 | 140 | 190 | 03.20- | ■ |
| 330 d Mild-Hybrid (B57 D30 B) | discØ 374, Performance M | Diesel/el éc. | RWD | 2993 | 210 | 286 | 11.20- | ■ |

LISTA DE APLICACIONES - BUYERS GUIDE

| | | | | | | | | | |
|---|---|---------------|-----|------|--|-----|-------------|---|--|
| 330 d Mild-Hybrid (JA1) | discØ 374, Performance M | Diesel/el éc. | RWD | 2993 | 210 | 286 | 11.20- | ■ | |
| 330 d Mild-Hybrid xDrive (B57 D30 B) | discØ 374, Performance M | Diesel/el éc. | 4WD | 2993 | 210 | 286 | 11.20- | ■ | |
| 330 d Mild-Hybrid xDrive (JA1) | discØ 374, Performance M | Diesel/el éc. | 4WD | 2993 | 210 | 286 | 11.20- | ■ | |
| M340 d Mild-Hybrid xDrive (B57 D30 B) | Performance M, discØ 374 | Diesel/el éc. | 4WD | 2993 | 250 | 340 | 04.20- | ■ | |
| M340 d Mild-Hybrid xDrive (JA1) | Performance M, discØ 374 | Diesel/el éc. | 4WD | 2993 | 250 | 340 | 04.20- | ■ | |
| 316 d (B47 D20 B) | discØ 374, Performance M | Diesel | RWD | 1995 | 85 | 116 | 11.20- | ■ | |
| 316 d (B47 D20 B) | discØ 274, Performance M | Diesel | RWD | 1995 | 90 | 122 | 11.20- | ■ | |
| 318 d (B47 D20 B) | Performance M, discØ 374 | Diesel | RWD | 1995 | 100 | 136 | 11.19-07.20 | ■ | |
| 318 d (B47 D20 B) | Performance M, discØ 374 | Diesel | RWD | 1995 | 110 | 150 | 11.19-07.20 | ■ | |
| 320 d (B47 D20 B) | Performance M, discØ 375 | Diesel | RWD | 1995 | 120 | 163 | 07.19-02.20 | ■ | |
| 320 d xDrive (B47 D20 B) | Performance M, discØ 375 | Diesel | 4WD | 1995 | 120 | 163 | 07.19-02.20 | ■ | |
| 320 d (B47 D20 B) | Performance M, discØ 375 | Diesel | RWD | 1995 | 140 | 190 | 07.19-02.20 | ■ | |
| 320 d xDrive (B47 D20 B) | Performance M, discØ 375 | Diesel | 4WD | 1995 | 140 | 190 | 07.19-02.20 | ■ | |
| 330 d (B57 D30 A) | Performance M, discØ 374 | Diesel | RWD | 2993 | 195 | 265 | 11.19- | ■ | |
| 330 d xDrive (B57 D30 A) | Performance M, discØ 375 | Diesel | 4WD | 2993 | 195 | 265 | 07.19- | ■ | |
| 3 Serie VII Touring Van (G21) 07.19- | | | | | Estate Van (Compact executive car-D Segment) | | | | |
| 320i (B46 B20 B) | Performance M, discØ 374 | Gasolina | RWD | 1998 | 135 | 184 | 11.19- | ■ | |
| 320i (B48 B20 A) | Performance M, discØ 374 | Gasolina | RWD | 1998 | 135 | 184 | 11.19- | ■ | |
| 330i (B48 B20 B) | Performance M, discØ 374 | Gasolina | RWD | 1998 | 190 | 258 | 07.19- | ■ | |
| M 340 i xDrive (B58 B30 B) | | Gasolina | 4WD | 2998 | 275 | 374 | 11.19- | ■ | |
| 320 d Mild-Hybrid (B47 D20 B) | Performance M, discØ 374 | Diesel/el éc. | RWD | 1995 | 140 | 190 | 03.20- | ■ | |
| 320 d Mild-Hybrid (JA1) | Performance M, discØ 374 | Diesel/el éc. | RWD | 1995 | 140 | 190 | 03.20- | ■ | |
| 320 d Mild-Hybrid xDrive (B47 D20 B) | Performance M, discØ 374 | Diesel/el éc. | 4WD | 1995 | 140 | 190 | 03.20- | ■ | |
| 320 d Mild-Hybrid xDrive (JA1) | Performance M, discØ 374 | Diesel/el éc. | 4WD | 1995 | 140 | 190 | 03.20- | ■ | |
| 318 d | | Diesel | RWD | 1995 | 110 | 150 | 11.19-06.22 | ■ | |
| 320 d (B47 D20 B) | Performance M, discØ 374 | Diesel | RWD | 1995 | 140 | 190 | 07.19-02.20 | ■ | |
| 320 d xDrive (B47 D20 B) | Performance M, discØ 374 | Diesel | 4WD | 1995 | 140 | 190 | 07.19-02.20 | ■ | |
| 330 d (B57 D30 A) | Performance M, discØ 374 | Diesel | RWD | 2993 | 195 | 265 | 11.19- | ■ | |
| 330 d xDrive (B57 D30 A) | Performance M, discØ 374 | Diesel | 4WD | 2993 | 195 | 265 | 11.19- | ■ | |
| 4 Serie II (G23, G83) 11.20- | | | | | Convertible (Compact executive car-D Segment) | | | | |
| 420 i (B48 B20 A) | Performance M, M-sport package, discØ 374 | Gasolina | RWD | 1998 | 135 | 184 | 11.20- | ■ | |
| 430 i | discØ 374, Performance M | Gasolina | RWD | 1998 | 180 | 245 | 07.21- | ■ | |
| 430 i xDrive | discØ 374, Performance M | Gasolina | 4WD | 1998 | 180 | 245 | 07.21- | ■ | |
| 430 i (B46 B20 B) | Performance M, M-sport package, discØ 374 | Gasolina | RWD | 1998 | 190 | 258 | 11.20- | ■ | |
| 430 i (B48 B20 B) | Performance M, M-sport package, discØ 374 | Gasolina | RWD | 1998 | 190 | 258 | 11.20- | ■ | |
| 430 i xDrive (B46 B20 B) | | Gasolina | 4WD | 1998 | 190 | 258 | 07.21- | ■ | |
| M440 i Mild-Hybrid | | Gasol./el éc. | RWD | 2998 | 275 | 374 | 07.21- | ■ | |
| M440 i Mild-Hybrid xDrive (B58 B30 B) | discØ 374, Performance M | Gasol./el éc. | 4WD | 2998 | 275 | 374 | 11.20- | ■ | |
| M440 i Mild-Hybrid xDrive (JA1) | discØ 374, Performance M | Gasol./el éc. | 4WD | 2998 | 275 | 374 | 11.20- | ■ | |
| M 440 i Mild Hybrid (B58 B30 B,JA1) | | Gasol./el éc. | RWD | 2998 | 285 | 387 | 11.20- | ■ | |
| M440 i Mild-Hybrid xDrive (B58 B30 B) | Performance M, discØ 374 | Gasol./el éc. | 4WD | 2998 | 285 | 387 | 11.20- | ■ | |
| M440 i Mild-Hybrid xDrive (JA1) | Performance M, discØ 374 | Gasol./el éc. | 4WD | 2998 | 285 | 387 | 11.20- | ■ | |

LISTA DE APLICACIONES - BUYERS GUIDE

| | | | | | | | | | |
|---------------------------------------|--|---------------|-----|------|--|-----|--------|---|--|
| 420 d Mild-Hybrid (B47 D20 B) | discØ 374, Performance M | Diesel/el éc. | RWD | 1995 | 120 | 163 | 11.20- | ■ | |
| 420 d Mild-Hybrid (JA1) | discØ 374, Performance M | Diesel/el éc. | RWD | 1995 | 120 | 163 | 11.20- | ■ | |
| 420 d Mild-Hybrid (B47 D20 B) | Performance M, M-sport package, discØ 374 | Diesel/el éc. | RWD | 1995 | 140 | 190 | 11.20- | ■ | |
| 420 d Mild-Hybrid (JA1) | Performance M, M-sport package, discØ 374 | Diesel/el éc. | RWD | 1995 | 140 | 190 | 11.20- | ■ | |
| 430 d Mild-Hybrid (B57 D30 B) | Performance M, discØ 374 | Diesel/el éc. | RWD | 2993 | 210 | 286 | 07.21- | ■ | |
| 430 d Mild-Hybrid (JA1) | Performance M, discØ 374 | Diesel/el éc. | RWD | 2993 | 210 | 286 | 07.21- | ■ | |
| M440 d Mild-Hybrid xDrive (B57 D30 B) | Performance M, discØ 374 | Diesel/el éc. | 4WD | 2993 | 250 | 340 | 11.21- | ■ | |
| M440 d Mild-Hybrid xDrive (JA1) | Performance M, discØ 374 | Diesel/el éc. | 4WD | 2993 | 250 | 340 | 11.21- | ■ | |
| 4 Serie II (G22, G82) 07.20- | | | | | Coupe (Compact executive car-D Segment) | | | | |
| 420 i 1.6 (B48 B16 A) | discØ 374, Performance M | Gasolina | RWD | 1597 | 125 | 170 | 11.20- | ■ | |
| 420 i (B46 B20 B) | discØ 374, Performance M | Gasolina | RWD | 1998 | 135 | 184 | 07.20- | ■ | |
| 420 i (B48 B20 A) | discØ 374, Performance M | Gasolina | RWD | 1998 | 135 | 184 | 07.20- | ■ | |
| 420 i | discØ 374, Performance M | Gasolina | RWD | 1998 | 135 | 184 | 07.21- | ■ | |
| 420 i xDrive | discØ 374, Performance M | Gasolina | 4WD | 1998 | 135 | 184 | 07.21- | ■ | |
| 430 i | discØ 374, Performance M | Gasolina | RWD | 1998 | 180 | 245 | 07.21- | ■ | |
| 430 i | Performance M, M-sport package, discØ 374 | Gasolina | RWD | 1998 | 180 | 245 | 07.21- | ■ | |
| 430 i xDrive | discØ 374, Performance M | Gasolina | 4WD | 1998 | 180 | 245 | 07.21- | ■ | |
| 430 i xDrive | | Gasolina | 4WD | 1998 | 180 | 245 | 03.22- | ■ | |
| 430 i (B46 B20 B) | discØ 374, Performance M | Gasolina | RWD | 1998 | 190 | 258 | 07.20- | ■ | |
| 430 i (B48 B20 B) | discØ 374, Performance M | Gasolina | RWD | 1998 | 190 | 258 | 07.20- | ■ | |
| 430 i (B48 B20 B) | | Gasolina | RWD | 1998 | 190 | 258 | 07.21- | ■ | |
| 430 i xDrive (B46 B20 B) | Performance M, discØ 374 | Gasolina | 4WD | 1998 | 190 | 258 | 07.20- | ■ | |
| 430 i xDrive | | Gasolina | 4WD | 1998 | 190 | 258 | 07.21- | ■ | |
| M440 i Mild-Hybrid | Performance brakes, discØ 374, M technique, Performance M, SA 033T | Gasol./el éc. | RWD | 2998 | 275 | 374 | 07.21- | ■ | |
| M440 i Mild-Hybrid | M technique | Gasol./el éc. | RWD | 2998 | 275 | 374 | 09.22- | ■ | |
| M440 i Mild-Hybrid xDrive (B58 B30 B) | Performance brakes, discØ 374 | Gasol./el éc. | 4WD | 2998 | 275 | 374 | 11.20- | ■ | |
| M440 i Mild-Hybrid xDrive | discØ 374, Performance M | Gasol./el éc. | 4WD | 2998 | 275 | 374 | 07.21- | ■ | |
| M440 i Mild-Hybrid (B58 B30 B, JA1) | M technique | Gasol./el éc. | RWD | 2998 | 285 | 387 | 11.20- | ■ | |
| M440 i Mild-Hybrid xDrive (B58 B30 B) | Performance brakes, discØ 374, M technique | Gasol./el éc. | 4WD | 2998 | 285 | 387 | 07.20- | ■ | |
| M440 i Mild-Hybrid xDrive (JA1) | Performance brakes, discØ 374, M technique | Gasol./el éc. | 4WD | 2998 | 285 | 387 | 07.20- | ■ | |
| M440 i Mild-Hybrid xDrive (B58 B30 B) | M technique | Gasol./el éc. | 4WD | 2998 | 285 | 387 | 07.21- | ■ | |
| i4 M50 xDrive | 033T, discØ 374 | Eléctrico | 4WD | | 400 | 544 | 11.21- | ■ | |
| 420 d Mild-Hybrid (B47 D20 B) | discØ 374, Performance M | Diesel/el éc. | RWD | 1995 | 120 | 163 | 07.20- | ■ | |
| 420 d Mild-Hybrid (JA1) | discØ 374, Performance M | Diesel/el éc. | RWD | 1995 | 120 | 163 | 07.20- | ■ | |
| 420 d Mild-Hybrid xDrive (B47 D20 B) | discØ 374, Performance M | Diesel/el éc. | 4WD | 1995 | 120 | 163 | 07.20- | ■ | |
| 420 d Mild-Hybrid xDrive (JA1) | discØ 374, Performance M | Diesel/el éc. | 4WD | 1995 | 120 | 163 | 07.20- | ■ | |
| 420 d Mild-Hybrid (B47 D20 B) | discØ 374, Performance M | Diesel/el éc. | RWD | 1995 | 140 | 190 | 07.20- | ■ | |
| 420 d Mild-Hybrid (JA1) | discØ 374, Performance M | Diesel/el éc. | RWD | 1995 | 140 | 190 | 07.20- | ■ | |
| 420 d Mild-Hybrid | | Diesel/el éc. | RWD | 1995 | 140 | 190 | 07.21- | ■ | |

LISTA DE APLICACIONES - BUYERS GUIDE

| | | | | | | | | | |
|---------------------------------------|---|---------------|-----|------|---|-----|-------------|---|--|
| 420 d Mild-Hybrid xDrive (B47 D20 B) | discØ 374, Performance M | Diesel/el éc. | 4WD | 1995 | 140 | 190 | 07.20- | ■ | |
| 420 d Mild-Hybrid xDrive (JA1) | discØ 374, Performance M | Diesel/el éc. | 4WD | 1995 | 140 | 190 | 07.20- | ■ | |
| 420 d Mild-Hybrid xDrive | Performance M, M-sport package, discØ 374 | Diesel/el éc. | 4WD | 1995 | 140 | 190 | 07.21- | ■ | |
| 430 d Mild-Hybrid xDrive (B57 D30 B) | Performance M, discØ 374 | Diesel/el éc. | 4WD | 2993 | 210 | 286 | 03.21- | ■ | |
| 430 d Mild-Hybrid xDrive (JA1) | Performance M, discØ 374 | Diesel/el éc. | 4WD | 2993 | 210 | 286 | 03.21- | ■ | |
| 430 d Mild-Hybrid xDrive | | Diesel/el éc. | 4WD | 2993 | 210 | 286 | 05.22- | ■ | |
| M440 d Mild-Hybrid xDrive (B57 D30 B) | Performance M, discØ 374 | Diesel/el éc. | 4WD | 2993 | 250 | 340 | 03.21- | ■ | |
| M440 d Mild-Hybrid xDrive (JA1) | Performance M, discØ 374 | Diesel/el éc. | 4WD | 2993 | 250 | 340 | 03.21- | ■ | |
| 5 Serie VII (G30, F90) 09.16- | | | | | Saloon (Executive car-E Segment) | | | | |
| 520 i (B48 B16 A) | Performance M, discØ 395 | Gasolina | RWD | 1597 | 125 | 170 | 07.17-06.23 | ■ | |
| 520 i (B48 B20 A) | reinforced brakes Performance M, discØ 395 | Gasolina | RWD | 1998 | 120 | 163 | 07.17-06.20 | ■ | |
| 520 i (B48 B20 B) | reinforced brakes Performance M, discØ 395 | Gasolina | RWD | 1998 | 120 | 163 | 07.17-06.20 | ■ | |
| 520 i (B48 B20 A) | Performance M, discØ 395 | Gasolina | RWD | 1998 | 135 | 184 | 07.17- | ■ | |
| 520 i (B48 B20 B) | Performance M, discØ 395 | Gasolina | RWD | 1998 | 135 | 184 | 07.17- | ■ | |
| 520 i (B48 B20 A) | Performance M, discØ 395 | Gasolina | RWD | 1998 | 155 | 211 | 07.17-06.20 | ■ | |
| 520 i (B48 B20 B) | Performance M, discØ 395 | Gasolina | RWD | 1998 | 155 | 211 | 07.17-06.20 | ■ | |
| 530i | Performance M, discØ 395 | Gasolina | RWD | 1998 | 180 | 245 | 05.22-06.23 | ■ | |
| 530 i xDrive | Performance M, discØ 395 | Gasolina | 4WD | 1998 | 180 | 245 | 05.22-06.23 | ■ | |
| 530 i xDrive (B48 B20 B) | Performance M, discØ 395 | Gasolina | 4WD | 1998 | 183 | 249 | 09.16-06.23 | ■ | |
| 530i (B46 B20 B) | Performance M, discØ 395 | Gasolina | RWD | 1998 | 185 | 252 | 09.16-06.20 | ■ | |
| 530i (B48 B20 B) | Performance M, discØ 395 | Gasolina | RWD | 1998 | 185 | 252 | 09.16-06.20 | ■ | |
| 530 i xDrive (B46 B20 B) | Performance M, discØ 395 | Gasolina | 4WD | 1998 | 185 | 252 | 09.16-06.20 | ■ | |
| 530 i xDrive (B48 B20 B) | Performance M, discØ 395 | Gasolina | 4WD | 1998 | 185 | 252 | 09.16-06.20 | ■ | |
| 540 i (B58 B30 A) | sports chassis, discØ 374, discØ 348, M-sport package discØ 395, Performance M, M technique | Gasolina | RWD | 2998 | 250 | 340 | 09.16-06.20 | ■ | |
| 540 i (B58 B30 C) | sports chassis, discØ 374, discØ 348, M-sport package discØ 395, Performance M, M technique | Gasolina | RWD | 2998 | 250 | 340 | 09.16-06.20 | ■ | |
| 540 i xDrive (B58 B30 A) | discØ 374, sports chassis, M-sport package, discØ 348 discØ 395, Performance M, M technique | Gasolina | 4WD | 2998 | 250 | 340 | 09.16-06.20 | ■ | |
| 540 i (B58 B30 A) | sports chassis, discØ 374, M-sport package, discØ 348 discØ 395, Performance M, M technique | Gasolina | RWD | 2998 | 265 | 360 | 09.16-06.20 | ■ | |
| 540 i xDrive (B58 B30 A) | sports chassis, discØ 374, M-sport package, discØ 348 discØ 395, Performance M, M technique | Gasolina | 4WD | 2998 | 265 | 360 | 09.16-06.20 | ■ | |
| M 550 i xDrive (N63 B44 C) | discØ 374, discØ 395, Performance M | Gasolina | 4WD | 4395 | 340 | 462 | 03.17-06.19 | ■ | |
| M 550 i xDrive (N63 B44 D) | Syst. Standard, discØ 374, Performance M, discØ 395 | Gasolina | 4WD | 4395 | 390 | 530 | 07.19-06.23 | ■ | |
| 520 E PLUG-IN-HYBRID | | Gasol./el éc. | RWD | 1998 | 120 | 163 | 03.21- | ■ | |
| 520 i Mild-Hybrid (B48 B20 A) | Performance M, discØ 395 | Gasol./el éc. | RWD | 1998 | 120 | 163 | 07.20-06.23 | ■ | |
| 520 i Mild-Hybrid (JA1) | Performance M, discØ 395 | Gasol./el éc. | RWD | 1998 | 120 | 163 | 07.20-06.23 | ■ | |
| 530 e Plug-in-Hybrid (B48 B20 A) | Performance M, discØ 395 | Gasol./el éc. | RWD | 1998 | 120 | 163 | 07.19- | ■ | |
| 530 e Plug-in-Hybrid (GC1) | Performance M, discØ 395 | Gasol./el éc. | RWD | 1998 | 120 | 163 | 07.19- | ■ | |

LISTA DE APLICACIONES - BUYERS GUIDE

| | | | | | | | | |
|---|---|---------------|-----|------|-----|-----|-------------|---|
| 530 e Plug-in-Hybrid xDrive (B48 B20 A) | Performance M, discØ 395 | Gasol./el éc. | 4WD | 1998 | 120 | 163 | 07.19- | ■ |
| 530 e Plug-in-Hybrid xDrive (GC1) | Performance M, discØ 395 | Gasol./el éc. | 4WD | 1998 | 120 | 163 | 07.19- | ■ |
| 520 i Mild-Hybrid (B48 B20 A) | Performance M, discØ 395 | Gasol./el éc. | RWD | 1998 | 135 | 184 | 07.20-06.23 | ■ |
| 520 i Mild-Hybrid (JA1) | Performance M, discØ 395 | Gasol./el éc. | RWD | 1998 | 135 | 184 | 07.20-06.23 | ■ |
| 530 e Plug-in-Hybrid (B46 B20 B) | Performance M, discØ 395 | Gasol./el éc. | RWD | 1998 | 135 | 184 | 03.17- | ■ |
| 530 e Plug-in-Hybrid (B48 B20 A) | Performance M, discØ 395 | Gasol./el éc. | RWD | 1998 | 135 | 184 | 03.17- | ■ |
| 530 e Plug-in-Hybrid (GC1) | Performance M, discØ 395 | Gasol./el éc. | RWD | 1998 | 135 | 184 | 03.17- | ■ |
| 530 e Plug-in-Hybrid xDrive (B46 B20 B) | Performance M, discØ 395, Performance brakes, M technique | Gasol./el éc. | 4WD | 1998 | 135 | 184 | 03.17- | ■ |
| 530 e Plug-in-Hybrid xDrive (B48 B20 A) | Performance M, discØ 395, Performance brakes, M technique | Gasol./el éc. | 4WD | 1998 | 135 | 184 | 03.17- | ■ |
| 530 e Plug-in-Hybrid xDrive (GC1) | Performance M, discØ 395, Performance brakes, M technique | Gasol./el éc. | 4WD | 1998 | 135 | 184 | 03.17- | ■ |
| 520 E PLUG-IN-HYBRID | | Gasol./el éc. | RWD | 1998 | 150 | 204 | 03.21-05.22 | ■ |
| 530 e Plug-in-Hybrid (B48 B20 A) | Performance M, discØ 395 | Gasol./el éc. | RWD | 1998 | 170 | 231 | 07.19-06.20 | ■ |
| 530 e Plug-in-Hybrid (GC1) | Performance M, discØ 395 | Gasol./el éc. | RWD | 1998 | 170 | 231 | 07.19-06.20 | ■ |
| 530 e Plug-in-Hybrid xDrive (B48 B20 A) | Performance M, discØ 395 | Gasol./el éc. | 4WD | 1998 | 170 | 231 | 07.19-06.23 | ■ |
| 530 e Plug-in-Hybrid xDrive (GC1) | Performance M, discØ 395 | Gasol./el éc. | 4WD | 1998 | 170 | 231 | 07.19-06.23 | ■ |
| 530e Plug-in Hybrid (B46 B20 B) | Performance M | Gasol./el éc. | RWD | 1998 | 185 | 252 | 03.17-06.20 | ■ |
| 530e Plug-in Hybrid (B48 B20 A) | Performance M | Gasol./el éc. | RWD | 1998 | 185 | 252 | 03.17-06.20 | ■ |
| 530e Plug-in Hybrid (GC1) | Performance M | Gasol./el éc. | RWD | 1998 | 185 | 252 | 03.17-06.20 | ■ |
| 530 e Plug-in-Hybrid xDrive (B46 B20 B) | Performance M, discØ 395, Performance brakes, M technique | Gasol./el éc. | 4WD | 1998 | 185 | 252 | 03.17-06.23 | ■ |
| 530 e Plug-in-Hybrid xDrive (B48 B20 A) | Performance M, discØ 395, Performance brakes, M technique | Gasol./el éc. | 4WD | 1998 | 185 | 252 | 03.17-06.23 | ■ |
| 530 e Plug-in-Hybrid xDrive (GC1) | Performance M, discØ 395, Performance brakes, M technique | Gasol./el éc. | 4WD | 1998 | 185 | 252 | 03.17-06.23 | ■ |
| 530 i Mild-Hybrid (B48 B20 B) | Performance M, discØ 395 | Gasol./el éc. | RWD | 1998 | 185 | 252 | 07.20-06.23 | ■ |
| 530 i Mild-Hybrid (JA1) | Performance M, discØ 395 | Gasol./el éc. | RWD | 1998 | 185 | 252 | 07.20-06.23 | ■ |
| 530 i Mild-Hybrid xDrive (B48 B20 B) | discØ 395, Performance M | Gasol./el éc. | 4WD | 1998 | 185 | 252 | 07.20-06.23 | ■ |
| 530 i Mild-Hybrid xDrive (JA1) | discØ 395, Performance M | Gasol./el éc. | 4WD | 1998 | 185 | 252 | 07.20-06.23 | ■ |
| 530 e Plug-in-Hybrid (B48 B20 A) | Performance M, discØ 395 | Gasol./el éc. | RWD | 1998 | 200 | 272 | 07.20-06.23 | ■ |
| 530 e Plug-in-Hybrid (GC1) | Performance M, discØ 395 | Gasol./el éc. | RWD | 1998 | 200 | 272 | 07.20-06.23 | ■ |
| 530 e Plug-in-Hybrid xDrive (B48 B20 A) | Performance M, discØ 395 | Gasol./el éc. | 4WD | 1998 | 200 | 272 | 07.20-06.23 | ■ |
| 530 e Plug-in-Hybrid xDrive (GC1) | Performance M, discØ 395 | Gasol./el éc. | 4WD | 1998 | 200 | 272 | 07.20-06.23 | ■ |
| 530 e Plug-in-Hybrid (B46 B20 B) | Performance M, discØ 395, Performance brakes, M technique | Gasol./el éc. | RWD | 1998 | 215 | 292 | 07.20-06.23 | ■ |
| 530 e Plug-in-Hybrid (B48 B20 A) | Performance M, discØ 395, Performance brakes, M technique | Gasol./el éc. | RWD | 1998 | 215 | 292 | 07.20-06.23 | ■ |
| 530 e Plug-in-Hybrid (GC1) | Performance M, discØ 395, Performance brakes, M technique | Gasol./el éc. | RWD | 1998 | 215 | 292 | 07.20-06.23 | ■ |

LISTA DE APLICACIONES - BUYERS GUIDE

| | | | | | | | | |
|---|--|---------------|-----|------|-----|-----|-------------|---|
| 530 e Plug-in-Hybrid xDrive (B46 B20 B) | Performance M, discØ 395, Performance brakes, M technique | Gasol./el éc. | 4WD | 1998 | 215 | 292 | 07.20-06.23 | ■ |
| 530 e Plug-in-Hybrid xDrive (B48 B20 A) | Performance M, discØ 395, Performance brakes, M technique | Gasol./el éc. | 4WD | 1998 | 215 | 292 | 07.20-06.23 | ■ |
| 530 e Plug-in-Hybrid xDrive (GC1) | Performance M, discØ 395, Performance brakes, M technique | Gasol./el éc. | 4WD | 1998 | 215 | 292 | 07.20-06.23 | ■ |
| 545 e Plug-in-Hybrid xDrive (B58 B30 C) | M technique, discØ 395, Performance M discØ 374, M-sport package | Gasol./el éc. | 4WD | 2998 | 210 | 286 | 11.20- | ■ |
| 545 e Plug-in-Hybrid xDrive (GC1) | M technique, discØ 395, Performance M discØ 374, M-sport package | Gasol./el éc. | 4WD | 2998 | 210 | 286 | 11.20- | ■ |
| 540 i Mild-Hybrid (B58 B30 C) | M-sport package, discØ 374, Performance M, discØ 395, M technique | Gasol./el éc. | RWD | 2998 | 245 | 333 | 07.20-05.23 | ■ |
| 540 i Mild-Hybrid (JA1) | M-sport package, discØ 374, Performance M, discØ 395, M technique | Gasol./el éc. | RWD | 2998 | 245 | 333 | 07.20-05.23 | ■ |
| 540 i Mild-Hybrid xDrive (B58 B30 C) | M-sport package, discØ 374, Performance M, discØ 395, M technique | Gasol./el éc. | 4WD | 2998 | 245 | 333 | 07.20-06.23 | ■ |
| 540 i Mild-Hybrid xDrive (JA1) | M-sport package, discØ 374, Performance M, discØ 395, M technique | Gasol./el éc. | 4WD | 2998 | 245 | 333 | 07.20-06.23 | ■ |
| 545 e Plug-in-Hybrid xDrive (B58 B30 C) | M technique, discØ 395, Performance M discØ 374, M-sport package | Gasol./el éc. | 4WD | 2998 | 290 | 394 | 11.20-06.23 | ■ |
| 545 e Plug-in-Hybrid xDrive (GC1) | M technique, discØ 395, Performance M discØ 374, M-sport package | Gasol./el éc. | 4WD | 2998 | 290 | 394 | 11.20-06.23 | ■ |
| 518 d Mild-Hybrid (B47 D20 B) | discØ 395, Performance M | Diesel/el éc. | RWD | 1995 | 100 | 136 | 07.20-06.23 | ■ |
| 518 d Mild-Hybrid (JA1) | discØ 395, Performance M | Diesel/el éc. | RWD | 1995 | 100 | 136 | 07.20-06.23 | ■ |
| 518 d Mild-Hybrid (B47 D20 B) | discØ 395, Performance M | Diesel/el éc. | RWD | 1995 | 110 | 150 | 07.20-06.23 | ■ |
| 518 d Mild-Hybrid (JA1) | discØ 395, Performance M | Diesel/el éc. | RWD | 1995 | 110 | 150 | 07.20-06.23 | ■ |
| 520 d Mild-Hybrid (B47 D20 B) | Performance M, discØ 395 | Diesel/el éc. | RWD | 1995 | 120 | 163 | 11.19-06.23 | ■ |
| 520 d Mild-Hybrid (JA1) | Performance M, discØ 395 | Diesel/el éc. | RWD | 1995 | 120 | 163 | 11.19-06.23 | ■ |
| 520 d Mild-Hybrid (B47 D20 B) | | Diesel/el éc. | RWD | 1995 | 140 | 190 | 11.19-06.23 | ■ |
| 520 d Mild-Hybrid (JA1) | | Diesel/el éc. | RWD | 1995 | 140 | 190 | 11.19-06.23 | ■ |
| 520 d Mild-Hybrid xDrive (B47 D20 B) | Performance M, discØ 395 | Diesel/el éc. | 4WD | 1995 | 140 | 190 | 11.19-06.23 | ■ |
| 520 d Mild-Hybrid xDrive (JA1) | Performance M, discØ 395 | Diesel/el éc. | 4WD | 1995 | 140 | 190 | 11.19-06.23 | ■ |
| 530 d Mild-Hybrid (B57 D30 B) | discØ 395, Performance M, discØ 374, M-sport package | Diesel/el éc. | RWD | 2993 | 183 | 249 | 07.20-06.23 | ■ |
| 530 d Mild-Hybrid (JA1) | discØ 395, Performance M, discØ 374, M-sport package | Diesel/el éc. | RWD | 2993 | 183 | 249 | 07.20-06.23 | ■ |
| 530 d Mild-Hybrid xDrive (B57 D30 B) | Performance M, discØ 395 M-sport package, discØ 374, Performance brakes, M technique | Diesel/el éc. | 4WD | 2993 | 183 | 249 | 07.20-06.23 | ■ |
| 530 d Mild-Hybrid xDrive (JA1) | Performance M, discØ 395 M-sport package, discØ 374, Performance brakes, M technique | Diesel/el éc. | 4WD | 2993 | 183 | 249 | 07.20-06.23 | ■ |
| 530 d Mild-Hybrid (B57 D30 B) | M-sport package, discØ 374, Performance M, discØ 395 | Diesel/el éc. | RWD | 2993 | 210 | 286 | 07.20-06.23 | ■ |
| 530 d Mild-Hybrid (JA1) | M-sport package, discØ 374, Performance M, discØ 395 | Diesel/el éc. | RWD | 2993 | 210 | 286 | 07.20-06.23 | ■ |
| 530 d Mild-Hybrid xDrive (B57 D30 B) | M-sport package, discØ 374, Performance M, discØ 395 | Diesel/el éc. | 4WD | 2993 | 210 | 286 | 07.20-06.23 | ■ |
| 530 d Mild-Hybrid xDrive (JA1) | M-sport package, discØ 374, Performance M, discØ 395 | Diesel/el éc. | 4WD | 2993 | 210 | 286 | 07.20-06.23 | ■ |

LISTA DE APLICACIONES - BUYERS GUIDE

| | | | | | | | | | |
|---|--|---------------|-----|------|---|-----|-------------|---|--|
| 540 d Mild-Hybrid xDrive (B57 D30 B) | M-sport package, discØ 374, Performance M, discØ 395, M technique | Diesel/el éc. | 4WD | 2993 | 250 | 340 | 07.20-06.23 | ■ | |
| 540 d Mild-Hybrid xDrive (JA1) | M-sport package, discØ 374, Performance M, discØ 395, M technique | Diesel/el éc. | 4WD | 2993 | 250 | 340 | 07.20-06.23 | ■ | |
| 518 d (B47 D20 B) | Performance M, discØ 395 | Diesel | RWD | 1995 | 100 | 136 | 07.18-06.20 | ■ | |
| 518 d (B47 D20 B) | Performance M, discØ 395 | Diesel | RWD | 1995 | 110 | 150 | 07.18-06.20 | ■ | |
| 520 d (B47 D20 A) | Performance M, discØ 395 | Diesel | RWD | 1995 | 120 | 163 | 09.16-06.23 | ■ | |
| 520 d xDrive (B47 D20 A) | Performance M, discØ 395 | Diesel | 4WD | 1995 | 120 | 163 | 09.16-06.23 | ■ | |
| 520 d (B47 D20 A) | Performance M, discØ 395 | Diesel | RWD | 1995 | 140 | 190 | 09.16-06.23 | ■ | |
| 520 d (B47 D20 B) | Performance M, discØ 395 | Diesel | RWD | 1995 | 140 | 190 | 09.16-06.23 | ■ | |
| 520 d xDrive (B47 D20 A) | Performance M, discØ 395 | Diesel | 4WD | 1995 | 140 | 190 | 09.16-06.23 | ■ | |
| 525 d (B47 D20 B) | Performance M, discØ 395 | Diesel | RWD | 1995 | 155 | 211 | 07.17-06.19 | ■ | |
| 525 d (B47 D20 B) | discØ 395, Performance M | Diesel | RWD | 1995 | 170 | 231 | 07.17-06.19 | ■ | |
| 530 d xDrive (B57 D30 A) | Performance M, discØ 395 | Diesel | 4WD | 2993 | 183 | 249 | 09.16-06.20 | ■ | |
| 530 d (B57 D30 A) | Performance M, discØ 395 | Diesel | RWD | 2993 | 195 | 265 | 09.16-06.20 | ■ | |
| 530 d xDrive (B57 D30 A) | Performance M, discØ 395 | Diesel | 4WD | 2993 | 195 | 265 | 09.16-06.20 | ■ | |
| 540 d xDrive (B57 D30 A) | discØ 374, M-sport package discØ 395, Performance M | Diesel | 4WD | 2993 | 235 | 320 | 07.17-06.20 | ■ | |
| 540 d xDrive (B57 D30 B) | discØ 374, M-sport package discØ 395, Performance M | Diesel | 4WD | 2993 | 235 | 320 | 07.17-06.20 | ■ | |
| 540 d xDrive (G4NA) | discØ 374, M-sport package discØ 395, Performance M | Diesel | 4WD | 2993 | 235 | 320 | 07.17-06.20 | ■ | |
| M 550 d xDrive (B57 D30 C) | discØ 374, discØ 395 | Diesel | 4WD | 2993 | 294 | 400 | 06.17-06.20 | ■ | |
| 5 Serie VII Touring (G31) 03.17- | | | | | Estate (Executive car-E Segment) | | | | |
| 520 i (B48 B20 A) | reinforced brakes Performance M, discØ 395 | Gasolina | RWD | 1998 | 120 | 163 | 07.17-06.20 | ■ | |
| 520 i (B48 B20 A) | Performance M, discØ 395 | Gasolina | RWD | 1998 | 135 | 184 | 07.17-06.20 | ■ | |
| 520 i (B48 B20 A) | Performance M, discØ 395 | Gasolina | RWD | 1998 | 155 | 211 | 07.17-06.20 | ■ | |
| 530i | Performance M, discØ 395 | Gasolina | RWD | 1998 | 180 | 245 | 05.22- | ■ | |
| 530 i xDrive | Performance M, discØ 395 | Gasolina | 4WD | 1998 | 180 | 245 | 05.22- | ■ | |
| 530i (B48 B20 B) | Performance M, discØ 395 | Gasolina | RWD | 1998 | 185 | 252 | 03.17-06.20 | ■ | |
| 530 i xDrive (B48 B20 B) | discØ 395, Performance M | Gasolina | 4WD | 1998 | 185 | 252 | 07.17-06.20 | ■ | |
| 540 i xDrive (B58 B30 A) | -07/17, Performance M, discØ 395 M-sport package, discØ 374, M technique | Gasolina | 4WD | 2998 | 250 | 340 | 03.17-06.20 | ■ | |
| 540 i xDrive (B58 B30 A) | M-sport package, discØ 374 -07/17, Performance M, discØ 395, M technique | Gasolina | 4WD | 2998 | 265 | 360 | 03.17-06.20 | ■ | |
| 520 E PLUG-IN-HYBRID | | Gasol./el éc. | RWD | 1998 | 120 | 163 | 03.21- | ■ | |
| 520 i Mild-Hybrid (B48 B20 A) | discØ 395, Performance M | Gasol./el éc. | RWD | 1998 | 120 | 163 | 07.20- | ■ | |
| 520 i Mild-Hybrid (JA1) | discØ 395, Performance M | Gasol./el éc. | RWD | 1998 | 120 | 163 | 07.20- | ■ | |
| 530 e Plug-in-Hybrid (B48 B20 A) | discØ 395, Performance M | Gasol./el éc. | RWD | 1998 | 120 | 163 | 11.20- | ■ | |
| 530 e Plug-in-Hybrid (GC1) | discØ 395, Performance M | Gasol./el éc. | RWD | 1998 | 120 | 163 | 11.20- | ■ | |
| 530 e Plug-in-Hybrid xDrive (B48 B20 A) | discØ 395, Performance M | Gasol./el éc. | 4WD | 1998 | 120 | 163 | 11.20- | ■ | |
| 530 e Plug-in-Hybrid xDrive (GC1) | discØ 395, Performance M | Gasol./el éc. | 4WD | 1998 | 120 | 163 | 11.20- | ■ | |
| 520 i Mild-Hybrid (B48 B20 A) | Performance M, discØ 395 | Gasol./el éc. | RWD | 1998 | 135 | 184 | 07.20- | ■ | |
| 520 i Mild-Hybrid (JA1) | Performance M, discØ 395 | Gasol./el éc. | RWD | 1998 | 135 | 184 | 07.20- | ■ | |
| 530 e Plug-in-Hybrid (B48 B20 A) | discØ 395, Performance M | Gasol./el éc. | RWD | 1998 | 135 | 184 | 11.20- | ■ | |
| 530 e Plug-in-Hybrid (GC1) | discØ 395, Performance M | Gasol./el éc. | RWD | 1998 | 135 | 184 | 11.20- | ■ | |
| 530 e Plug-in-Hybrid xDrive (B48 B20 A) | discØ 395, Performance M | Gasol./el éc. | 4WD | 1998 | 135 | 184 | 11.20- | ■ | |

LISTA DE APLICACIONES - BUYERS GUIDE

| | | | | | | | | |
|---|--|------------------|-----|------|-----|-----|-------------|---|
| 530 e Plug-in-Hybrid xDrive (GC1) | discØ 395, Performance M | Gasol./el éc. | 4WD | 1998 | 135 | 184 | 11.20- | ■ |
| 520 E PLUG-IN-HYBRID | | Gasol./el éc. | RWD | 1998 | 150 | 204 | 03.21-05.22 | ■ |
| 530 i Mild-Hybrid (B48 B20 B) | discØ 395, Performance M | Gasol./el éc. | RWD | 1998 | 180 | 245 | 07.22- | ■ |
| 530 i Mild-Hybrid xDrive (B48 B20 B) | discØ 395, Performance M | Gasol./el éc. | 4WD | 1998 | 180 | 245 | 07.22- | ■ |
| 530 i Mild-Hybrid (B48 B20 B) | Performance M, discØ 395 | Gasol./el éc. | RWD | 1998 | 185 | 252 | 07.20- | ■ |
| 530 i Mild-Hybrid (JA1) | Performance M, discØ 395 | Gasol./el éc. | RWD | 1998 | 185 | 252 | 07.20- | ■ |
| 530 i Mild-Hybrid xDrive (B48 B20 B) | Performance M, discØ 395 | Gasol./el éc. | 4WD | 1998 | 185 | 252 | 07.20- | ■ |
| 530 i Mild-Hybrid xDrive (JA1) | Performance M, discØ 395 | Gasol./el éc. | 4WD | 1998 | 185 | 252 | 07.20- | ■ |
| 530 e Plug-in-Hybrid (B48 B20 A) | | Gasol./el éc. | RWD | 1998 | 200 | 272 | 11.20- | ■ |
| 530 e Plug-in-Hybrid (GC1) | | Gasol./el éc. | RWD | 1998 | 200 | 272 | 11.20- | ■ |
| 530 e Plug-in-Hybrid xDrive (B48 B20 A) | discØ 395, Performance M | Gasol./el éc. | 4WD | 1998 | 200 | 272 | 11.20- | ■ |
| 530 e Plug-in-Hybrid xDrive (GC1) | discØ 395, Performance M | Gasol./el éc. | 4WD | 1998 | 200 | 272 | 11.20- | ■ |
| 530 e Plug-in-Hybrid (B48 B20 A) | discØ 395, Performance M | Gasol./el éc. | RWD | 1998 | 215 | 292 | 11.20- | ■ |
| 530 e Plug-in-Hybrid (GC1) | discØ 395, Performance M | Gasol./el éc. | RWD | 1998 | 215 | 292 | 11.20- | ■ |
| 530 e Plug-in-Hybrid xDrive (B48 B20 A) | | Gasol./el éc. | 4WD | 1998 | 215 | 292 | 11.20- | ■ |
| 530 e Plug-in-Hybrid xDrive (GC1) | | Gasol./el éc. | 4WD | 1998 | 215 | 292 | 11.20- | ■ |
| 540 i Mild-Hybrid xDrive (B58 B30 C) | M-sport package, discØ 374, Performance M, discØ 395, M technique | Gasol./el éc. | 4WD | 2998 | 245 | 333 | 07.20- | ■ |
| 540 i Mild-Hybrid xDrive (JA1) | M-sport package, discØ 374, Performance M, discØ 395, M technique | Gasol./el éc. | 4WD | 2998 | 245 | 333 | 07.20- | ■ |
| 518 d Mild-Hybrid (B47 D20 B) | discØ 395, Performance M | Diesel/el éc. | RWD | 1995 | 100 | 136 | 07.20- | ■ |
| 518 d Mild-Hybrid (JA1) | discØ 395, Performance M | Diesel/el éc. | RWD | 1995 | 100 | 136 | 07.20- | ■ |
| 518 d Mild-Hybrid (B47 D20 B) | discØ 395, Performance M | Diesel/el éc. | RWD | 1995 | 110 | 150 | 07.20- | ■ |
| 518 d Mild-Hybrid (JA1) | discØ 395, Performance M | Diesel/el éc. | RWD | 1995 | 110 | 150 | 07.20- | ■ |
| 520 d Mild-Hybrid (B47 D20 B) | discØ 395, Performance M | Diesel/el éc. | RWD | 1995 | 120 | 163 | 11.19- | ■ |
| 520 d Mild-Hybrid (JA1) | discØ 395, Performance M | Diesel/el éc. | RWD | 1995 | 120 | 163 | 11.19- | ■ |
| 520 d Mild-Hybrid (B47 D20 B) | Performance M, discØ 395 | Diesel/el éc. | RWD | 1995 | 140 | 190 | 11.19- | ■ |
| 520 d Mild-Hybrid (JA1) | Performance M, discØ 395 | Diesel/el éc. | RWD | 1995 | 140 | 190 | 11.19- | ■ |
| 520 d Mild-Hybrid xDrive (B47 D20 B) | Performance M, discØ 395 | Diesel/el éc. | 4WD | 1995 | 140 | 190 | 11.19- | ■ |
| 520 d Mild-Hybrid xDrive (JA1) | Performance M, discØ 395 | Diesel/el éc. | 4WD | 1995 | 140 | 190 | 11.19- | ■ |
| 530 d Mild-Hybrid (B57 D30 B) | discØ 395, Performance M, discØ 374, M-sport package, Performance brakes, M technique | Diesel/el éc. | RWD | 2993 | 183 | 249 | 07.20- | ■ |
| 530 d Mild-Hybrid (JA1) | discØ 395, Performance M, discØ 374, M-sport package, Performance brakes, M technique | Diesel/el éc. | RWD | 2993 | 183 | 249 | 07.20- | ■ |
| 530 d Mild-Hybrid xDrive (B57 D30 B) | discØ 395, Performance M, discØ 374, M-sport package, Performance brakes, M technique | Diesel/el éc. | 4WD | 2993 | 183 | 249 | 07.20- | ■ |

LISTA DE APLICACIONES - BUYERS GUIDE

| | | | | | | | | | |
|---|--|---------------|-----|------|-----|-----|---|---|--|
| 530 d Mild-Hybrid xDrive (JA1) | discØ 395, Performance M, discØ 374, M-sport package, Performance brakes, M technique | Diesel/el éc. | 4WD | 2993 | 183 | 249 | 07.20- | ■ | |
| 530 d Mild-Hybrid (B57 D30 B) | M-sport package, discØ 374, Performance M, discØ 395, M technique | Diesel/el éc. | RWD | 2993 | 210 | 286 | 07.20- | ■ | |
| 530 d Mild-Hybrid (JA1) | M-sport package, discØ 374, Performance M, discØ 395, M technique | Diesel/el éc. | RWD | 2993 | 210 | 286 | 07.20- | ■ | |
| 530 d Mild-Hybrid xDrive (B57 D30 B) | M-sport package, discØ 374, Performance M, discØ 395, M technique | Diesel/el éc. | 4WD | 2993 | 210 | 286 | 07.20- | ■ | |
| 530 d Mild-Hybrid xDrive (JA1) | M-sport package, discØ 374, Performance M, discØ 395, M technique | Diesel/el éc. | 4WD | 2993 | 210 | 286 | 07.20- | ■ | |
| 540 d Mild-Hybrid xDrive (B57 D30 B) | M-sport package, discØ 374, Performance M, discØ 395, M technique | Diesel/el éc. | 4WD | 2993 | 250 | 340 | 07.20- | ■ | |
| 540 d Mild-Hybrid xDrive (JA1) | M-sport package, discØ 374, Performance M, discØ 395, M technique | Diesel/el éc. | 4WD | 2993 | 250 | 340 | 07.20- | ■ | |
| 518 d (B47 D20 B) | Performance M, discØ 395 | Diesel | RWD | 1995 | 100 | 136 | 07.18-06.20 | ■ | |
| 518 d (B47 D20 B) | Performance M, discØ 395 | Diesel | RWD | 1995 | 110 | 150 | 07.18-06.20 | ■ | |
| 520 d (B47 D20 A) | Performance M, discØ 395 | Diesel | RWD | 1995 | 120 | 163 | 03.17- | ■ | |
| 520 d (B47 D20 B) | Performance M, discØ 395 | Diesel | RWD | 1995 | 120 | 163 | 03.17- | ■ | |
| 520 d xDrive (B47 D20 A) | Performance M, discØ 395 | Diesel | 4WD | 1995 | 120 | 163 | 07.17- | ■ | |
| 520 d xDrive (B47 D20 B) | Performance M, discØ 395 | Diesel | 4WD | 1995 | 120 | 163 | 07.17- | ■ | |
| 520 d (B47 D20 A) | Performance M, discØ 395 | Diesel | RWD | 1995 | 140 | 190 | 03.17- | ■ | |
| 520 d (B47 D20 B) | Performance M, discØ 395 | Diesel | RWD | 1995 | 140 | 190 | 03.17- | ■ | |
| 520 d xDrive (B47 D20 A) | discØ 395, Performance M | Diesel | 4WD | 1995 | 140 | 190 | 07.17- | ■ | |
| 520 d xDrive (B47 D20 B) | discØ 395, Performance M | Diesel | 4WD | 1995 | 140 | 190 | 07.17- | ■ | |
| 525 d (B47 D20 B) | Performance M, discØ 395 | Diesel | RWD | 1995 | 155 | 211 | 07.17-06.19 | ■ | |
| 525 d (B47 D20 B) | discØ 395, Performance M | Diesel | RWD | 1995 | 170 | 231 | 07.17-06.19 | ■ | |
| 530 d (B57 D30 A) | Performance M, discØ 395 | Diesel | RWD | 2993 | 195 | 265 | 03.17-06.20 | ■ | |
| 530 d xDrive (B57 D30 A) | M-sport package Performance M, discØ 395 | Diesel | 4WD | 2993 | 195 | 265 | 03.17-06.20 | ■ | |
| 540 d xDrive (B57 D30 B) | discØ 374, M-sport package discØ 395, Performance M | Diesel | 4WD | 2993 | 235 | 320 | 07.17-06.20 | ■ | |
| M 550 d xDrive (B57 D30 C) | discØ 395, discØ 374, Performance M | Diesel | 4WD | 2993 | 294 | 400 | 07.17- | ■ | |
| 5 Serie VII Touring Van (G31) 03.17- | | | | | | | Estate Van (Executive car-E Segment) | | |
| 520 i (B48 B20 A) | Performance M, discØ 395 | Gasolina | RWD | 1998 | 135 | 184 | 07.17- | ■ | |
| 530i (B48 B20 B) | Performance M, discØ 395 | Gasolina | RWD | 1998 | 185 | 252 | 03.17- | ■ | |
| 530 i xDrive (B48 B20 B) | Performance M, discØ 395 | Gasolina | 4WD | 1998 | 185 | 252 | 07.17- | ■ | |
| 540 i xDrive (B58 B30 A) | discØ 374, sports chassis, M-sport package Performance M, discØ 395, -07/17, M technique | Gasolina | 4WD | 2998 | 250 | 340 | 03.17- | ■ | |
| 520 d (B47 D20 A) | Performance M | Diesel | RWD | 1995 | 140 | 190 | 03.17-11.19 | ■ | |
| 520 d (B47 D20 B) | Performance M | Diesel | RWD | 1995 | 140 | 190 | 03.17-11.19 | ■ | |
| 520 d xDrive (B47 D20 A) | Performance M, discØ 395 | Diesel | 4WD | 1995 | 140 | 190 | 07.17-11.19 | ■ | |
| 520 d xDrive (B47 D20 B) | Performance M, discØ 395 | Diesel | 4WD | 1995 | 140 | 190 | 07.17-11.19 | ■ | |
| 530 d (B57 D30 A) | Performance M, discØ 395 | Diesel | RWD | 2993 | 195 | 265 | 03.17- | ■ | |
| 530 d xDrive (B57 D30 A) | M-sport package, discØ 395 | Diesel | 4WD | 2993 | 195 | 265 | 03.17- | ■ | |
| 540 d xDrive (B57 D30 B) | 07/20-, discØ 374, M-sport package, discØ 395, Performance M | Diesel | 4WD | 2993 | 235 | 320 | 07.17- | ■ | |
| 6 Serie IV GRAN TURISMO (G32) 06.17- | | | | | | | Hatchback (Grand Tourer-S Segment) | | |
| 630 i (B48 B20 B) | M technique | Gasolina | RWD | 1998 | 180 | 245 | 08.22- | ■ | |
| 630 i (B48 B20 B) | Performance M, discØ 395 M-sport package, discØ 374 | Gasolina | RWD | 1998 | 183 | 249 | 06.17-06.20 | ■ | |

LISTA DE APLICACIONES - BUYERS GUIDE

| | | | | | | | | |
|--------------------------------------|--|---------------|-----|------|-----|-----|-------------|---|
| 630 i (B48 B20 B) | Performance M, discØ 395 M-sport package, discØ 374 | Gasolina | RWD | 1998 | 190 | 258 | 07.17-06.20 | ■ |
| 630 i xDrive (B58 B30 C) | M-sport package, discØ 374 Performance M, discØ 395, M technique | Gasolina | 4WD | 2998 | 190 | 258 | 07.19- | ■ |
| 640 i (B58 B30 A) | Performance M, discØ 395 M-sport package, discØ 374 | Gasolina | RWD | 2998 | 250 | 340 | 06.17-06.20 | ■ |
| 640 i (B58 B30 C) | Performance M, discØ 395 M-sport package, discØ 374 | Gasolina | RWD | 2998 | 250 | 340 | 06.17-06.20 | ■ |
| 640 i xDrive (B58 B30 A) | M-sport package, discØ 374, Performance M, discØ 395 | Gasolina | 4WD | 2998 | 250 | 340 | 06.17-06.20 | ■ |
| 640 i xDrive (B58 B30 C) | M-sport package, discØ 374, Performance M, discØ 395 | Gasolina | 4WD | 2998 | 250 | 340 | 06.17-06.20 | ■ |
| 640 i (B58 B30 A) | discØ 374, M-sport package, Performance M, discØ 395 | Gasolina | RWD | 2998 | 265 | 360 | 06.17-06.20 | ■ |
| 640 i (B58 B30 C) | discØ 374, M-sport package, Performance M, discØ 395 | Gasolina | RWD | 2998 | 265 | 360 | 06.17-06.20 | ■ |
| 640 i xDrive (B58 B30 A) | discØ 374, M-sport package, Performance M, discØ 395 | Gasolina | 4WD | 2998 | 265 | 360 | 06.17-06.20 | ■ |
| 640 i xDrive (B58 B30 C) | discØ 374, M-sport package, Performance M, discØ 395 | Gasolina | 4WD | 2998 | 265 | 360 | 06.17-06.20 | ■ |
| 630 i Mild-Hybrid | M technique | Gasol./el éc. | RWD | 1998 | 180 | 245 | 07.20- | ■ |
| 630 i Mild-Hybrid (B48 B20 B) | M-sport package, discØ 374, Performance M, discØ 395, M technique | Gasol./el éc. | RWD | 1998 | 190 | 258 | 07.20- | ■ |
| 630 i Mild-Hybrid (JA1) | M-sport package, discØ 374, Performance M, discØ 395, M technique | Gasol./el éc. | RWD | 1998 | 190 | 258 | 07.20- | ■ |
| 640 i Mild-Hybrid (B58 B30 C) | M-sport package, discØ 374, Performance M, discØ 395, M technique | Gasol./el éc. | RWD | 2998 | 245 | 333 | 07.20- | ■ |
| 640 i Mild-Hybrid (JA1) | M-sport package, discØ 374, Performance M, discØ 395, M technique | Gasol./el éc. | RWD | 2998 | 245 | 333 | 07.20- | ■ |
| 640 i Mild-Hybrid xDrive (B58 B30 C) | M-sport package, Syst. Standard, discØ 374, Performance M, discØ 395 | Gasol./el éc. | 4WD | 2998 | 245 | 333 | 07.20- | ■ |
| 640 i Mild-Hybrid xDrive (JA1) | M-sport package, Syst. Standard, discØ 374, Performance M, discØ 395 | Gasol./el éc. | 4WD | 2998 | 245 | 333 | 07.20- | ■ |
| 620 d Mild-Hybrid (B47 D20 B) | discØ 395, Performance M, discØ 374, M-sport package, M technique | Diesel/el éc. | RWD | 1995 | 120 | 163 | 07.20- | ■ |
| 620 d Mild-Hybrid (JA1) | discØ 395, Performance M, discØ 374, M-sport package, M technique | Diesel/el éc. | RWD | 1995 | 120 | 163 | 07.20- | ■ |
| 620 d Mild-Hybrid (B47 D20 B) | M-sport package, discØ 374, Performance M, discØ 395, M technique | Diesel/el éc. | RWD | 1995 | 140 | 190 | 07.20- | ■ |
| 620 d Mild-Hybrid (JA1) | M-sport package, discØ 374, Performance M, discØ 395, M technique | Diesel/el éc. | RWD | 1995 | 140 | 190 | 07.20- | ■ |
| 620 d Mild-Hybrid xDrive (B47 D20 B) | discØ 395, Performance M, discØ 374, M-sport package, M technique | Diesel/el éc. | 4WD | 1995 | 140 | 190 | 07.20- | ■ |
| 620 d Mild-Hybrid xDrive (JA1) | discØ 395, Performance M, discØ 374, M-sport package, M technique | Diesel/el éc. | 4WD | 1995 | 140 | 190 | 07.20- | ■ |
| 630 d Mild-Hybrid (B57 D30 B) | discØ 395, Performance M, discØ 374, M-sport package, M technique | Diesel/el éc. | RWD | 2993 | 155 | 211 | 07.20- | ■ |
| 630 d Mild-Hybrid (JA1) | discØ 395, Performance M, discØ 374, M-sport package, M technique | Diesel/el éc. | RWD | 2993 | 155 | 211 | 07.20- | ■ |
| 630 d Mild-Hybrid (B57 D30 B) | M-sport package, discØ 374, Performance M, discØ 395, M technique | Diesel/el éc. | RWD | 2993 | 210 | 286 | 07.20- | ■ |
| 630 d Mild-Hybrid (JA1) | M-sport package, discØ 374, Performance M, discØ 395, M technique | Diesel/el éc. | RWD | 2993 | 210 | 286 | 07.20- | ■ |
| 630 d Mild-Hybrid xDrive (B57 D30 B) | M-sport package, discØ 374, Performance M, discØ 395, M technique | Diesel/el éc. | 4WD | 2993 | 210 | 286 | 07.20- | ■ |

LISTA DE APLICACIONES - BUYERS GUIDE

| | | | | | | | | |
|--------------------------------------|---|---------------|-----|--------------------------------------|-----|-----|-------------|---|
| 630 d Mild-Hybrid xDrive (JA1) | M-sport package, discØ 374, Performance M, discØ 395, M technique | Diesel/el éc. | 4WD | 2993 | 210 | 286 | 07.20- | ■ |
| 640 d Mild-Hybrid xDrive (B57 D30 B) | M-sport package, Syst. Standard, discØ 374, Performance M, discØ 395, M technique | Diesel/el éc. | 4WD | 2993 | 250 | 340 | 07.20- | ■ |
| 640 d Mild-Hybrid xDrive (JA1) | M-sport package, Syst. Standard, discØ 374, Performance M, discØ 395, M technique | Diesel/el éc. | 4WD | 2993 | 250 | 340 | 07.20- | ■ |
| 620 d (B47 D20 B) | Performance M | Diesel | RWD | 1995 | 120 | 163 | 07.18-06.20 | ■ |
| 620 d xDrive (B47 D20 B) | Performance M | Diesel | 4WD | 1995 | 120 | 163 | 07.18-06.20 | ■ |
| 620 d (B47 D20 B) | Performance M | Diesel | RWD | 1995 | 140 | 190 | 07.18-06.20 | ■ |
| 620 d xDrive (B47 D20 B) | Performance M | Diesel | 4WD | 1995 | 140 | 190 | 07.18-06.20 | ■ |
| 630 d (B57 D30 A) | discØ 374, M-sport package, Performance M, discØ 395 | Diesel | RWD | 2993 | 155 | 211 | 06.17-06.20 | ■ |
| 630 d xDrive (B57 D30 A) | discØ 374, M-sport package, Performance M, discØ 395 | Diesel | 4WD | 2993 | 155 | 211 | 06.17-06.20 | ■ |
| 630 d xDrive (B57 D30 A) | M-sport package, discØ 374 Performance M, discØ 395 | Diesel | 4WD | 2993 | 183 | 249 | 06.17-06.20 | ■ |
| 630 d (B57 D30 A) | Performance M, discØ 395 M-sport package, discØ 374 | Diesel | RWD | 2993 | 195 | 265 | 06.17-06.20 | ■ |
| 630 d xDrive (B57 D30 A) | Performance M, discØ 395 M-sport package, discØ 374 | Diesel | 4WD | 2993 | 195 | 265 | 06.17-06.20 | ■ |
| 640 d xDrive (B57 D30 B) | discØ 374, M-sport package, Performance M, discØ 395 | Diesel | 4WD | 2993 | 235 | 320 | 11.17-06.20 | ■ |
| 7 Serie VI (G11, G12) 07.15- | | | | Saloon (Luxury car-F Segment) | | | | |
| 730 i (B48 B20 B) | Performance M, discØ 374, discØ 395, M technique | Gasolina | RWD | 1998 | 183 | 249 | 11.15-06.22 | ■ |
| 730 i, Li (B48 B20 B) | 07/16-, noSA S212A, discØ 374, Eq.V_ Versión China Performance M, discØ 395 | Gasolina | RWD | 1998 | 190 | 258 | 11.15-02.19 | ■ |
| 730 i, Li (B48 B20 B) | M-sport package, discØ 395 Performance M, discØ 395, noSA S212A, discØ 374 | Gasolina | RWD | 1998 | 195 | 265 | 03.19-06.22 | ■ |
| 740 i, Li (B58 B30 A) | 07/16-, -07/17, discØ 348, Eq.V_ Versión Japón, M technique | Gasolina | RWD | 2998 | 240 | 326 | 07.15-02.19 | ■ |
| 740 Li xDrive (B58 B30 A) | 07/16-, -07/17, discØ 348, Eq.V_ Versión Japón, M technique | Gasolina | 4WD | 2998 | 240 | 326 | 03.16-02.19 | ■ |
| 740 i, Li | M technique | Gasolina | RWD | 2998 | 245 | 333 | 03.19-06.22 | ■ |
| 740 Li xDrive | M technique | Gasolina | 4WD | 2998 | 245 | 333 | 03.19-06.22 | ■ |
| 740 i, Li (B58 B30 C) | M-sport package, discØ 395 Performance M, discØ 395, M technique | Gasolina | RWD | 2998 | 250 | 340 | 03.19-06.22 | ■ |
| 740 Li xDrive (B58 B30 C) | M-sport package, discØ 395, Performance M, M technique | Gasolina | 4WD | 2998 | 250 | 340 | 03.19-06.22 | ■ |
| 750 Li xDrive (N63 B40 B) | discØ 374, Syst. Standard discØ 395, not M sport pak. | Gasolina | 4WD | 3982 | 330 | 449 | 03.16-02.19 | ■ |
| 750 i, Li (N63 B44 C) | discØ 374, not M sport pak. | Gasolina | RWD | 4395 | 330 | 449 | 11.15-02.19 | ■ |
| 750 i, Li xDrive (N63 B44 C) | discØ 374, not M sport pak. | Gasolina | 4WD | 4395 | 330 | 449 | 09.15-02.19 | ■ |
| 750 i, Li xDrive (N63 B44 D) | Performance M, discØ 395, not M sport pak. | Gasolina | 4WD | 4395 | 390 | 530 | 03.19-06.22 | ■ |
| M 760 Li xDrive (N74 B66 C) | M-sport package, discØ 374, discØ 395, Performance M | Gasolina | 4WD | 6592 | 430 | 585 | 03.19-06.22 | ■ |
| M 760 i, Li xDrive (N74 B66 B) | | Gasolina | 4WD | 6592 | 448 | 610 | 12.16-02.19 | ■ |
| 740 e, Le (B48 B20 B) | Eq.V_ Versión Japón, sports package, M technique | Gasol./el éc. | RWD | 1998 | 190 | 258 | 07.16-02.19 | ■ |
| 740 Le xDrive (B48 B20 B) | Eq.V_ Versión Japón, sports package, M technique | Gasol./el éc. | 4WD | 1998 | 190 | 258 | 07.16-02.19 | ■ |
| 740 e, Le (B48 B20 B) | Eq.V_ Versión Japón, sports package, M technique | Gasol./el éc. | RWD | 1998 | 240 | 326 | 07.16-02.19 | ■ |
| 740 Le xDrive (B48 B20 B) | Eq.V_ Versión Japón, sports package, M technique | Gasol./el éc. | 4WD | 1998 | 240 | 326 | 07.16-02.19 | ■ |
| 745 e, Le Plug-in-Hybrid (B58 B30 C) | Syst. Standard, discØ 374 M-sport package, discØ 395 not M sport pak. | Gasol./el éc. | RWD | 2998 | 210 | 286 | 03.19- | ■ |

LISTA DE APLICACIONES - BUYERS GUIDE

| | | | | | | | | | |
|--|---|---------------|-----|------|-----|---|-------------|---|--|
| 745 Le Plug-in-Hybrid xDrive (B58 B30 C) | M-sport package, discØ 374 discØ 395, Syst. Standard, Performance M | Gasol./el éc. | 4WD | 2998 | 210 | 286 | 03.19- | ■ | |
| 745 e, Le Plug-in-Hybrid (B58 B30 C) | Performance M, discØ 395, not M sport pak. | Gasol./el éc. | RWD | 2998 | 290 | 394 | 03.19-06.22 | ■ | |
| 745 Le Plug-in-Hybrid xDrive (B58 B30 C) | M-sport package, discØ 374 discØ 395, Syst. Standard, Performance M | Gasol./el éc. | 4WD | 2998 | 290 | 394 | 03.19-06.22 | ■ | |
| 730 d Mild-Hybrid xDrive (B57 D30 B) | M-sport package, discØ 395, M technique | Diesel/el éc. | 4WD | 2993 | 155 | 211 | 07.20-06.22 | ■ | |
| 730 d Mild-Hybrid xDrive (JA1) | M-sport package, discØ 395, M technique | Diesel/el éc. | 4WD | 2993 | 155 | 211 | 07.20-06.22 | ■ | |
| 730 d, Ld Mild-Hybrid xDrive (B57 D30 B) | M-sport package, discØ 395, Performance brakes, M technique | Diesel/el éc. | 4WD | 2993 | 183 | 249 | 07.20-06.22 | ■ | |
| 730 d, Ld Mild-Hybrid xDrive (JA1) | M-sport package, discØ 395, Performance brakes, M technique | Diesel/el éc. | 4WD | 2993 | 183 | 249 | 07.20-06.22 | ■ | |
| 730 d, Ld Mild-Hybrid (B57 D30 B) | M-sport package, discØ 395, Performance brakes, M technique | Diesel/el éc. | RWD | 2993 | 210 | 286 | 07.20-05.22 | ■ | |
| 730 d, Ld Mild-Hybrid (JA1) | M-sport package, discØ 395, Performance brakes, M technique | Diesel/el éc. | RWD | 2993 | 210 | 286 | 07.20-05.22 | ■ | |
| 730 d, Ld Mild-Hybrid xDrive (B57 D30 B) | M-sport package, discØ 395, Performance brakes, M technique | Diesel/el éc. | 4WD | 2993 | 210 | 286 | 07.20-06.22 | ■ | |
| 730 d, Ld Mild-Hybrid xDrive (JA1) | M-sport package, discØ 395, Performance brakes, M technique | Diesel/el éc. | 4WD | 2993 | 210 | 286 | 07.20-06.22 | ■ | |
| 740 d, Ld Mild-Hybrid xDrive (B57 D30 B) | Syst. Standard, discØ 374 M-sport package, discØ 395, M technique | Diesel/el éc. | 4WD | 2993 | 250 | 340 | 07.20-06.22 | ■ | |
| 740 d, Ld Mild-Hybrid xDrive (JA1) | Syst. Standard, discØ 374 M-sport package, discØ 395, M technique | Diesel/el éc. | 4WD | 2993 | 250 | 340 | 07.20-06.22 | ■ | |
| 725 d, Ld (B47 D20 B) | discØ 374, M-sport package discØ 395, Performance M, -07/17, M technique | Diesel | RWD | 1995 | 155 | 211 | 07.16-02.19 | ■ | |
| 725 d, Ld (B47 D20 B) | discØ 374, M-sport package, Performance M, -07/17, M technique | Diesel | RWD | 1995 | 170 | 231 | 07.16-02.19 | ■ | |
| 730 d (B57 D30 A) | discØ 374, 07/16-, -07/17, noSA S212A | Diesel | RWD | 2993 | 155 | 211 | 07.15-06.20 | ■ | |
| 730 d xDrive (B57 D30 A) | discØ 374, 07/16-, -07/17, noSA S212A | Diesel | 4WD | 2993 | 155 | 211 | 09.15-06.20 | ■ | |
| 730 d, Ld xDrive (B57 D30 A) | discØ 374, M technique | Diesel | 4WD | 2993 | 183 | 249 | 09.15-06.20 | ■ | |
| 730 d, Ld (B57 D30 A) | discØ 374, 07/16-, -07/17, noSA S212A | Diesel | RWD | 2993 | 195 | 265 | 09.15-06.20 | ■ | |
| 730 d, Ld xDrive (B57 D30 A) | discØ 374, 07/16-, -07/17, noSA S212A | Diesel | 4WD | 2993 | 195 | 265 | 09.15-06.20 | ■ | |
| 740 d, Ld xDrive (B57 D30 B) | 07/16-, -07/17, M technique | Diesel | 4WD | 2993 | 235 | 320 | 11.15-06.20 | ■ | |
| 750 d, Ld xDrive (B57 D30 C) | discØ 374, not M sport pak. | Diesel | 4WD | 2993 | 294 | 400 | 07.16-10.20 | ■ | |
| 8 Serie II (G14, F91) 11.18- | | | | | | Convertible (Grand Tourer-S Segment) | | | |
| 840 i | discØ 395, Performance M discØ 374, M-sport package | Gasolina | RWD | 2998 | 245 | 333 | 11.20- | ■ | |
| 840 i xDrive | discØ 395, Performance M discØ 374, M-sport package | Gasolina | 4WD | 2998 | 245 | 333 | 11.20- | ■ | |
| 840 i (B58 B30 C) | discØ 395, with power steering, Performance M, M-sport package, discØ 374, SA S715A, not M technique, aerodynamic package | Gasolina | RWD | 2998 | 250 | 340 | 07.19- | ■ | |
| 840 i xDrive (B58 B30 C) | discØ 395, with power steering, Performance M, M-sport package, discØ 374, SA S715A, not M technique, aerodynamic package | Gasolina | 4WD | 2998 | 250 | 340 | 07.19-10.20 | ■ | |
| M 850 i xDrive (N63 B44 D) | Eq.V_ S2NHA, discØ 395, not M sport pak. | Gasolina | 4WD | 4395 | 390 | 530 | 11.18- | ■ | |
| 840 d Mild-Hybrid xDrive (B57 D30 B) | M-sport package, discØ 374 discØ 395, Performance M | Diesel/el éc. | 4WD | 2993 | 250 | 340 | 11.20- | ■ | |

LISTA DE APLICACIONES - BUYERS GUIDE

| | | | | | | | | | |
|--------------------------------------|---|---------------|-----|------|---|-----|-------------|---|--|
| 840 d Mild-Hybrid xDrive (JA1) | M-sport package, discØ 374 discØ 395, Performance M | Diesel/el éc. | 4WD | 2993 | 250 | 340 | 11.20- | ■ | |
| 840 d xDrive (B57 D30 B) | M-sport package, discØ 374, discØ 395 Performance M, discØ 395, M technique | Diesel | 4WD | 2993 | 235 | 320 | 11.18-10.20 | ■ | |
| 8 Serie II (G15, F92) 07.18- | | | | | Coupe (Grand Tourer-S Segment) | | | | |
| 840 i | discØ 395, Performance M discØ 374, M-sport package | Gasolina | RWD | 2998 | 245 | 333 | 11.20- | ■ | |
| 840 i | discØ 395, Performance M discØ 374, M-sport package | Gasolina | RWD | 2998 | 245 | 333 | 11.20- | ■ | |
| 840 i xDrive | discØ 395, Performance M discØ 374, M-sport package | Gasolina | 4WD | 2998 | 245 | 333 | 11.20- | ■ | |
| 840 i xDrive | discØ 395, Performance M discØ 374, M-sport package | Gasolina | 4WD | 2998 | 245 | 333 | 11.20- | ■ | |
| 840 i (B58 B30 C) | discØ 395, with power steering, Performance M, M-sport package, discØ 374, SA S715A, not M technique, aerodynamic package | Gasolina | RWD | 2998 | 250 | 340 | 07.19- | ■ | |
| 840 i (B58 B30 C) | discØ 395, with power steering, Performance M, M-sport package, discØ 374, SA S715A, not M technique, aerodynamic package | Gasolina | RWD | 2998 | 250 | 340 | 07.19-10.20 | ■ | |
| 840 i xDrive (B58 B30 C) | discØ 395, with power steering, Performance M, M-sport package, discØ 374, SA S715A, not M technique, aerodynamic package | Gasolina | 4WD | 2998 | 250 | 340 | 07.19-10.20 | ■ | |
| 840 i xDrive (B58 B30 C) | discØ 395, with power steering, Performance M, M-sport package, discØ 374, SA S715A, not M technique, aerodynamic package | Gasolina | 4WD | 2998 | 250 | 340 | 07.19- | ■ | |
| M 850 i xDrive (N63 B44 D) | Eq.V_ S2NHA, discØ 395, not M sport pak. | Gasolina | 4WD | 4395 | 390 | 530 | 10.18- | ■ | |
| M 850 i xDrive (N63 B44 D) | Eq.V_ S2NHA, discØ 395, not M sport pak. | Gasolina | 4WD | 4395 | 390 | 530 | 07.19- | ■ | |
| 840 d Mild-Hybrid xDrive (B57 D30 B) | not Performance brak, M technique discØ 395, Performance M discØ 374, M-sport package, Syst. Standard | Diesel/el éc. | 4WD | 2993 | 250 | 340 | 11.20- | ■ | |
| 840 d Mild-Hybrid xDrive (JA1) | not Performance brak, M technique discØ 395, Performance M discØ 374, M-sport package, Syst. Standard | Diesel/el éc. | 4WD | 2993 | 250 | 340 | 11.20- | ■ | |
| 840 d Mild-Hybrid xDrive (B57 D30 B) | not Performance brak, M technique discØ 395, Performance M discØ 274, M-sport package, Syst. Standard | Diesel/el éc. | 4WD | 2993 | 250 | 340 | 11.20- | ■ | |
| 840 d Mild-Hybrid xDrive (JA1) | not Performance brak, M technique discØ 395, Performance M discØ 274, M-sport package, Syst. Standard | Diesel/el éc. | 4WD | 2993 | 250 | 340 | 11.20- | ■ | |
| 840 d xDrive (B57 D30 B) | M-sport package, discØ 374, discØ 395 Performance M, discØ 395, M technique | Diesel | 4WD | 2993 | 235 | 320 | 07.18-10.20 | ■ | |
| 840 d xDrive (B57 D30 B) | discØ 395, Performance M, M-sport package, discØ 374, SA S715A, not M technique, aerodynamic package | Diesel | 4WD | 2993 | 235 | 320 | 07.19-10.20 | ■ | |
| X3 III (G01, F97, G08) 07.17- | | | | | SUV (Luxury Crossover SUV-J Segment) | | | | |
| M (S58 B30 A) | discØ 395, SA TX4007, -10/19 | Gasolina | 4WD | 2993 | 353 | 480 | 03.19- | ■ | |
| M Competition (S58 B30 A) | discØ 395, SA TX4007, -10/19 | Gasolina | 4WD | 2993 | 375 | 510 | 03.19- | ■ | |
| xDrive 30 d Mild-Hybrid (B57 D30 B) | Performance brakes, M technique | Diesel/el éc. | 4WD | 2993 | 183 | 249 | 07.20- | ■ | |
| xDrive 30 d Mild-Hybrid (JA1) | Performance brakes, M technique | Diesel/el éc. | 4WD | 2993 | 183 | 249 | 07.20- | ■ | |
| xDrive 30 d Mild-Hybrid (B57 D30 B) | Performance brakes, M technique | Diesel/el éc. | 4WD | 2993 | 210 | 286 | 07.20- | ■ | |
| xDrive 30 d Mild-Hybrid (JA1) | Performance brakes, M technique | Diesel/el éc. | 4WD | 2993 | 210 | 286 | 07.20- | ■ | |

LISTA DE APLICACIONES - BUYERS GUIDE

| | | | | | | SUV (Luxury Crossover SUV-J Segment) | | | | |
|--|---|---------------|-----|------|-----|---|-------------|--|---|--|
| X4 II (G02, F98) 04.18- | | | | | | | | | | |
| xDrive 30 i (B48 B20 B) | | Gasolina | 4WD | 1998 | 180 | 245 | 10.21- | | ■ | |
| M (S58 B30 A) | discØ 395, SA TX4007, -10/19 | Gasolina | 4WD | 2993 | 353 | 480 | 03.19- | | ■ | |
| M Competition (S58 B30 A) | discØ 395, SA TX4007, -10/19 | Gasolina | 4WD | 2993 | 375 | 510 | 03.19- | | ■ | |
| | | | | | | SUV Van (Luxury Crossover SUV-J Segment) | | | | |
| X5 IV (G05) 11.19- | | | | | | | | | | |
| xDrive 40 i (B58 B30 C) | M-sport package Performance M, discØ 395 | Gasolina | 4WD | 2998 | 250 | 340 | 11.19-03.23 | | ■ | |
| xDrive 30 d (B57 D30 A) | M-sport package Performance M, discØ 395 | Diesel | 4WD | 2993 | 195 | 265 | 11.19-03.23 | | ■ | |
| | | | | | | SUV (Luxury Crossover SUV-J Segment) | | | | |
| X5 IV (G05, F95) 08.18- | | | | | | | | | | |
| xDrive 30 i | M technique | Gasolina | 4WD | 1998 | 195 | 265 | 09.19-12.21 | | ■ | |
| sDrive 40 i | M technique | Gasolina | RWD | 2998 | 250 | 340 | 08.19-03.23 | | ■ | |
| xDrive 40 i (B58 B30 C) | Performance M, discØ 395 M-sport package | Gasolina | 4WD | 2998 | 250 | 340 | 08.18-03.23 | | ■ | |
| xDrive 50 i (N63 B44 D) | discØ 374, discØ 395 | Gasolina | 4WD | 4395 | 340 | 462 | 08.18-07.19 | | ■ | |
| xDrive M50 i (N63 B44 D) | discØ 395 | Gasolina | 4WD | 4395 | 390 | 530 | 08.19-03.23 | | ■ | |
| xDrive 45 e Plug-in-Hybrid (B58 B30 C) | discØ 374, discØ 395 | Gasol./el éc. | 4WD | 2998 | 155 | 211 | 06.19- | | ■ | |
| xDrive 45 e Plug-in-Hybrid (B58 B30 C) | discØ 374, discØ 395 | Gasol./el éc. | 4WD | 2998 | 210 | 286 | 06.19- | | ■ | |
| xDrive 45 e Plug-in-Hybrid (B58 B30 C) | discØ 374, discØ 395 | Gasol./el éc. | 4WD | 2998 | 235 | 320 | 06.19-03.23 | | ■ | |
| xDrive 40 i Mild-Hybrid | discØ 395, Performance M | Gasol./el éc. | 4WD | 2998 | 245 | 333 | 12.20-03.23 | | ■ | |
| xDrive 40 i Mild-Hybrid | | Gasol./el éc. | 4WD | 2998 | 280 | 381 | 04.23- | | ■ | |
| xDrive 45 e Plug-in Hybrid (B58 B30 C) | discØ 374, discØ 395 | Gasol./el éc. | 4WD | 2998 | 290 | 394 | 06.19-03.23 | | ■ | |
| xDrive 50 e Plug-in-Hybrid | | Gasol./el éc. | 4WD | 2998 | 360 | 489 | 04.23- | | ■ | |
| xDrive M60 i Mild-Hybrid | | Gasol./el éc. | 4WD | 4395 | 390 | 530 | 04.23- | | ■ | |
| xDrive 30 d Mild-Hybrid (B57 D30 B) | discØ 395, Performance M, discØ 374, M-sport package, M technique | Diesel/el éc. | 4WD | 2993 | 183 | 249 | 08.20- | | ■ | |
| xDrive 30 d Mild-Hybrid (JA1) | discØ 395, Performance M, discØ 374, M-sport package, M technique | Diesel/el éc. | 4WD | 2993 | 183 | 249 | 08.20- | | ■ | |
| xDrive 30 d Mild-Hybrid (B57 D30 B) | discØ 395, Performance M, discØ 374, M-sport package, M technique | Diesel/el éc. | 4WD | 2993 | 210 | 286 | 08.20- | | ■ | |
| xDrive 30 d Mild-Hybrid (JA1) | discØ 395, Performance M, discØ 374, M-sport package, M technique | Diesel/el éc. | 4WD | 2993 | 210 | 286 | 08.20- | | ■ | |
| xDrive 30 d Mild-Hybrid | M technique | Diesel/el éc. | 4WD | 2993 | 219 | 298 | 04.23- | | ■ | |
| xDrive 40 d Mild-Hybrid (B57 D30 B) | discØ 374, discØ 395 | Diesel/el éc. | 4WD | 2993 | 250 | 340 | 05.20- | | ■ | |
| xDrive 40 d Mild-Hybrid (JA1) | discØ 374, discØ 395 | Diesel/el éc. | 4WD | 2993 | 250 | 340 | 05.20- | | ■ | |
| xDrive 40 d Mild-Hybrid | | Diesel/el éc. | 4WD | 2993 | 259 | 352 | 06.23- | | ■ | |
| xDrive 25 d (B47 D20 B) | Performance M, discØ 398 M-sport package, discØ 374, discØ 395 | Diesel | 4WD | 1995 | 155 | 211 | 08.19-03.23 | | ■ | |
| xDrive 25 d (B47 D20 B) | Performance M, discØ 398 M-sport package, discØ 374, discØ 395 | Diesel | 4WD | 1995 | 170 | 231 | 08.19-03.23 | | ■ | |
| xDrive 30 d (B57 D30 A) | M-sport package Performance M, discØ 395 | Diesel | 4WD | 2993 | 183 | 249 | 08.18-07.20 | | ■ | |
| xDrive 30 d (B57 D30 A) | Performance M, discØ 395 M-sport package | Diesel | 4WD | 2993 | 195 | 265 | 08.18-07.20 | | ■ | |
| xDrive M 50 d (B57 D30 C) | | Diesel | 4WD | 2993 | 294 | 400 | 08.18-03.23 | | ■ | |

LISTA DE APLICACIONES - BUYERS GUIDE

| X6 III (G06, F96) 08.19- | | | | | | SUV (Luxury Crossover SUV-J Segment) | | | |
|-------------------------------------|---|---------------|-----|------|-----|---|-------------|---|--|
| xDrive 30 i (B48 B20 B) | M technique | Gasolina | 4WD | 1998 | 195 | 265 | 11.19- | ■ | |
| sDrive 40 i | M technique | Gasolina | RWD | 2998 | 250 | 340 | 08.19- | ■ | |
| xDrive 40 i (B58 B30 C) | M-sport package, discØ 395, Performance M | Gasolina | 4WD | 2998 | 250 | 340 | 08.19-03.23 | ■ | |
| xDrive M50 i (N63 B44 D) | M-sport package, discØ 395, discØ 398 | Gasolina | 4WD | 4395 | 390 | 530 | 08.19-03.23 | ■ | |
| xDrive 30 i Mild-Hybrid (B48 B20 S) | | Gasol./el éc. | 4WD | 1998 | 190 | 258 | 05.23- | ■ | |
| xDrive 40 i Mild-Hybrid | discØ 395, Performance M discØ 374, M-sport package | Gasol./el éc. | 4WD | 2998 | 245 | 333 | 12.20-03.23 | ■ | |
| xDrive 40 i Mild Hybrid (B58 B30 C) | | Gasol./el éc. | 4WD | 2998 | 250 | 340 | 04.22- | ■ | |
| xDrive 40 i Mild Hybrid | | Gasol./el éc. | 4WD | 2998 | 280 | 381 | 04.23- | ■ | |
| xDrive M60 i Mild-Hybrid | | Gasol./el éc. | 4WD | 4395 | 390 | 530 | 04.23- | ■ | |
| xDrive 30 d Mild-Hybrid (B57 D30 B) | discØ 395, Performance M, discØ 374, M-sport package, M technique | Diesel/el éc. | 4WD | 2993 | 155 | 211 | 08.20- | ■ | |
| xDrive 30 d Mild-Hybrid (JA1) | discØ 395, Performance M, discØ 374, M-sport package, M technique | Diesel/el éc. | 4WD | 2993 | 155 | 211 | 08.20- | ■ | |
| xDrive 30 d Mild-Hybrid | | Diesel/el éc. | 4WD | 2993 | 164 | 223 | 04.23- | ■ | |
| xDrive 30 d Mild-Hybrid (B57 D30 B) | discØ 395, Performance M, discØ 374, M-sport package, M technique | Diesel/el éc. | 4WD | 2993 | 183 | 249 | 08.20- | ■ | |
| xDrive 30 d Mild-Hybrid (JA1) | discØ 395, Performance M, discØ 374, M-sport package, M technique | Diesel/el éc. | 4WD | 2993 | 183 | 249 | 08.20- | ■ | |
| xDrive 30 d Mild-Hybrid (B57 D30 B) | discØ 395, Performance M, discØ 374, M-sport package, M technique | Diesel/el éc. | 4WD | 2993 | 210 | 286 | 08.20-03.23 | ■ | |
| xDrive 30 d Mild-Hybrid (JA1) | discØ 395, Performance M, discØ 374, M-sport package, M technique | Diesel/el éc. | 4WD | 2993 | 210 | 286 | 08.20-03.23 | ■ | |
| xDrive 30 d Mild-Hybrid | M technique | Diesel/el éc. | 4WD | 2993 | 219 | 298 | 04.23- | ■ | |
| xDrive 40 d Mild-Hybrid (B57 D30 B) | discØ 374, discØ 395 | Diesel/el éc. | 4WD | 2993 | 250 | 340 | 05.20-03.23 | ■ | |
| xDrive 40 d Mild-Hybrid (JA1) | discØ 374, discØ 395 | Diesel/el éc. | 4WD | 2993 | 250 | 340 | 05.20-03.23 | ■ | |
| xDrive 40 d Mild-Hybrid | | Diesel/el éc. | 4WD | 2993 | 259 | 352 | 06.23- | ■ | |
| xDrive 30 d (B57 D30 A) | Performance M, discØ 398 M-sport package, discØ 395 | Diesel | 4WD | 2993 | 155 | 211 | 08.19-07.20 | ■ | |
| xDrive 30 d (B57 D30 A) | Performance M, discØ 398 M-sport package, discØ 395 | Diesel | 4WD | 2993 | 183 | 249 | 08.19-07.20 | ■ | |
| xDrive 30 d (B57 D30 A) | M-sport package, discØ 395 Performance M, discØ 398 | Diesel | 4WD | 2993 | 195 | 265 | 08.19-07.20 | ■ | |
| xDrive M 50 d (B57 D30 C) | M-sport package, discØ 395, discØ 398 | Diesel | 4WD | 2993 | 294 | 400 | 08.19-03.23 | ■ | |
| X7 (G07) 03.19- | | | | | | SUV (Luxury Crossover SUV-J Segment) | | | |
| xDrive 40 i (B58 B30 C) | Syst. Standard, discØ 374 M-sport package, discØ 395 | Gasolina | 4WD | 2998 | 250 | 340 | 03.19- | ■ | |
| xDrive 50 i (N63 B44 D) | not M technique | Gasolina | 4WD | 4395 | 340 | 462 | 03.19- | ■ | |
| xDrive M50 i (N63 B44 D) | Syst. Standard, discØ 374, discØ 395 | Gasolina | 4WD | 4395 | 390 | 530 | 07.19- | ■ | |
| xDrive 40 i Mild-Hybrid | discØ 395, M-sport package discØ 374, Syst. Standard | Gasol./el éc. | 4WD | 2998 | 245 | 333 | 12.20- | ■ | |
| xDrive 40 i Mild Hybrid | | Gasol./el éc. | 4WD | 2998 | 280 | 381 | 07.22- | ■ | |
| xDrive M 60 i Mild Hybrid | | Gasol./el éc. | 4WD | 4395 | 390 | 530 | 07.22- | ■ | |
| xDrive 40 d Mild-Hybrid (B57 D30 B) | Syst. Standard, discØ 374, discØ 395, M-sport package | Diesel/el éc. | 4WD | 2993 | 155 | 211 | 08.20- | ■ | |
| xDrive 40 d Mild-Hybrid (JA1) | Syst. Standard, discØ 374, discØ 395, M-sport package | Diesel/el éc. | 4WD | 2993 | 155 | 211 | 08.20- | ■ | |

LISTA DE APLICACIONES - BUYERS GUIDE

| | | | | | | | | |
|---|---|---------------|-----|------|---|-----|-------------|---|
| xDrive 40 d Mild-Hybrid (B57 D30 B) | Syst. Standard, discØ 374, discØ 395, M-sport package | Diesel/el éc. | 4WD | 2993 | 250 | 340 | 08.20- | ■ |
| xDrive 40 d Mild-Hybrid (JA1) | Syst. Standard, discØ 374, discØ 395, M-sport package | Diesel/el éc. | 4WD | 2993 | 250 | 340 | 08.20- | ■ |
| xDrive 40 d Mild-Hybrid | | Diesel/el éc. | 4WD | 2993 | 259 | 352 | 07.22- | ■ |
| xDrive 30 d (B57 D30 A) | M-sport package | Diesel | 4WD | 2993 | 155 | 211 | 03.19-08.20 | ■ |
| xDrive 30 d (B57 D30 A) | M-sport package | Diesel | 4WD | 2993 | 183 | 249 | 03.19- | ■ |
| xDrive 30 d (B57 D30 A) | M-sport package | Diesel | 4WD | 2993 | 195 | 265 | 03.19- | ■ |
| xDrive M 50 d (B57 D30 C) | | Diesel | 4WD | 2993 | 294 | 400 | 03.19- | ■ |
| BMW (BRILLIANCE) | | | | | | | | |
| 3 SERIES VII (G28, G20) 06.19- | | | | | Saloon (Compact executive car-D Segment) | | | |
| 320i | | Gasolina | RWD | 1998 | 115 | 156 | 11.19- | ■ |
| 330 Li | | Gasolina | RWD | 1998 | 115 | 156 | 11.19- | ■ |
| 325i | | Gasolina | RWD | 1998 | 135 | 184 | 06.19- | ■ |
| 330i (B48B20G) | | Gasolina | RWD | 1998 | 180 | 245 | 08.22- | ■ |
| 330i | | Gasolina | RWD | 1998 | 190 | 258 | 11.19- | ■ |
| 330 Li xDrive | | Gasolina | 4WD | 1998 | 190 | 258 | 11.19- | ■ |
| X5 (G18) 03.22- | | | | | SUV () | | | |
| xDrive 40 Li Mild-Hybrid (B58B30C) | M technique | Gasol./el éc. | 4WD | 2998 | 245 | 333 | 03.22- | ■ |
| xDrive 40 Li Mild-Hybrid (B58 B30 P) | M technique | Gasol./el éc. | 4WD | 2998 | 280 | 381 | 08.23- | ■ |
| ROLLS-ROYCE | | | | | | | | |
| CULLINAN (RR31) 08.18- | | | | | SUV (Luxury Crossover SUV-J Segment) | | | |
| V12 (N74 B68 A) | discØ 395 | Gasolina | 4WD | 6749 | 420 | 571 | 08.18- | ■ |
| V12 (N74 B68 A) | discØ 395 | Gasolina | 4WD | 6749 | 441 | 600 | 08.19- | ■ |
| GHOST II (RR21) 08.20- | | | | | Saloon (Luxury car-F Segment) | | | |
| V12 (N74 B68 A) | discØ 395 | Gasolina | 4WD | 6749 | 420 | 571 | 08.20- | ■ |
| V12 (N74 B68 A) | discØ 395 | Gasolina | 4WD | 6749 | 420 | 571 | 08.20- | ■ |
| V12 | | Gasolina | 4WD | 6749 | 441 | 600 | 08.22- | ■ |
| PHANTOM VIII (RR11, RR12) 09.17- | | | | | Saloon (Luxury car-F Segment) | | | |
| V12, V12 EWB (N74 B68 A) | discØ 395 | Gasolina | RWD | 6749 | 420 | 571 | 09.17- | ■ |