

LISTA DE APLICACIONES - BUYERS GUIDE

182270

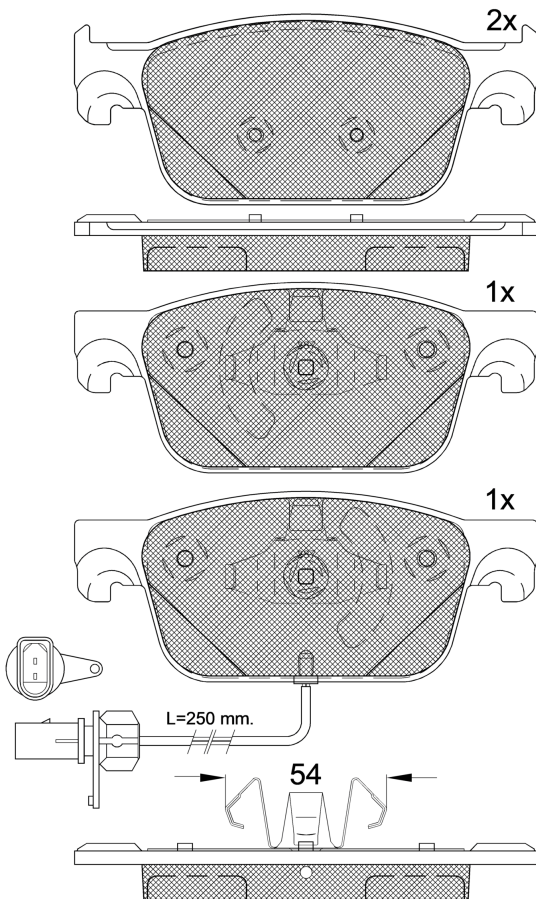


8 424073 150257

Qty: 300

Weight: 1.830

O.E.M.	MAKE
8W0 698 151 AA	AUDI
8W0 698 151 AB	AUDI
8W0 698 151 AF	AUDI
8W0 698 151 AG	AUDI
8W0 698 151 BG	AUDI
8W0 698 151 BH	AUDI
8W0 698 151 J	AUDI
8W0 698 151 K	AUDI
8W0 698 151 Q	AUDI



182270



90R-02A0111/4518



Ate - Teves

155.1x63.9x17

WVA	FMSI
22383	D1953-9180
22384	
22385	

MAKE
AUDI
AUDI (FAW)



Trac.	CC	Kw	CV
-------	----	----	----



Front / Rear

AUDI

A4 V Allroad B9 (8WH, 8WJ) 01.16-				Estate (Compact executive car-D Segment)					
2.0 TFSI quattro (CYRC)	PR 1LA, PR 1LB, discØ 314	Gasolina	4WD	1984	183	249	05.16-10.19	■	
2.0 TFSI quattro (CYMC)	PR 1LA, PR 1LB, discØ 314	Gasolina	4WD	1984	185	252	01.16-	■	
2.0 TFSI quattro (CYRB)	PR 1LA, PR 1LB, discØ 314	Gasolina	4WD	1984	185	252	01.16-	■	
45 TFSI Mild hybrid quattro (DKNA)	PR 1LA, PR 1LB	Gasol./el éc.	4WD	1984	180	245	07.18-	■	
45 TFSI Mild hybrid quattro (DDWA)	PR 1LA, PR 1LB	Gasol./el éc.	4WD	1984	183	249	02.20-	■	
2.0 TFSI Mild Hybrid quattro (DDWA)	PR 1LA	Gasol./el éc.	4WD	1984	185	252	11.18-10.19	■	
45 TFSI Mild hybrid quattro (DMTA)	PR 1LA, PR 1LB	Gasol./el éc.	4WD	1984	195	265	08.20-	■	
40 TDI Mild Hybrid quattro (DTPA)	PR 1LA, PR 1LB	Diesel/el éc.	4WD	1968	150	204	09.20-	■	
2.0 TDI quattro (DEUB)	PR 1LA, PR 1LB, discØ 314	Diesel	4WD	1968	100	136	11.16-07.18	■	
2.0 TDI quattro (DEUA)	PR 1LA, PR 1LB, discØ 314	Diesel	4WD	1968	110	150	11.16-10.19	■	
2.0 TDI quattro (DETB)	PR 1LA, PR 1LB, discØ 314	Diesel	4WD	1968	120	163	05.16-10.19	■	
2.0 TDI quattro (DESA)	PR 1LA, PR 1LB, discØ 314	Diesel	4WD	1968	140	190	01.16-	■	
2.0 TDI quattro (DETA)	PR 1LA, PR 1LB, discØ 314	Diesel	4WD	1968	140	190	01.16-	■	
2.0 TDI quattro (DFVA)	PR 1LA, PR 1LB, discØ 314	Diesel	4WD	1968	140	190	01.16-	■	
40 TDI quattro (DETA)	PR 1LA, PR 1LB	Diesel	4WD	1968	140	190	01.20-	■	
3.0 TDI quattro (CSWB)	PR 1LA, PR 1LB, discØ 314	Diesel	4WD	2967	160	218	01.16-08.18	■	
45 TDI quattro (DCPE)	PR 1LA, PR 1LB	Diesel	4WD	2967	170	231	07.18-	■	
3.0 TDI quattro (CRTC)	PR 1LA, PR 1LB, discØ 314	Diesel	4WD	2967	200	272	01.16-08.18	■	
3.0 TDI quattro (DCPC)	PR 1LA, PR 1LB	Diesel	4WD	2967	210	286	07.18-10.19	■	
50 TDI quattro (DCPC)	PR 1LA, PR 1LB	Diesel	4WD	2967	210	286	11.19-	■	

LISTA DE APLICACIONES - BUYERS GUIDE

A4 V B9 (8W2, 8WC) 05.15-						Saloon (Compact executive car-D Segment)			
1.4 TFSI (CVNA)	PR 1LA, PR 1LB, discØ 314	Gasolina	FWD	1395	110	150	08.15-11.19	■	
2.0 TFSI (CVKB)	PR 1LA, PR 1LB, discØ 314	Gasolina	FWD	1984	140	190	05.15-	■	
2.0 TFSI (DBPA)	PR 1LA, PR 1LB, discØ 314	Gasolina	FWD	1984	140	190	05.15-	■	
2.0 TFSI (CYRC)	PR 1LA, PR 1LB, discØ 314	Gasolina	FWD	1984	183	249	11.15-11.19	■	
2.0 TFSI quattro (CYRC)	PR 1LA, PR 1LB, discØ 314	Gasolina	4WD	1984	183	249	11.15-11.19	■	
2.0 TFSI (CYMC)	PR 1LA, PR 1LB, discØ 314	Gasolina	FWD	1984	185	252	05.15-11.19	■	
2.0 TFSI (CYRB)	PR 1LA, PR 1LB, discØ 314	Gasolina	FWD	1984	185	252	05.15-11.19	■	
2.0 TFSI quattro (CYMC)	PR 1LA, PR 1LB, discØ 314	Gasolina	4WD	1984	185	252	05.15-	■	
2.0 TFSI quattro (CYRB)	PR 1LA, PR 1LB, discØ 314	Gasolina	4WD	1984	185	252	05.15-	■	
S4 TFSi quattro (CWGD)	PR 1LA, PR 1LB, -09/16	Gasolina	4WD	2995	260	354	05.16-	■	
35 TFSI Mild Hybrid (DLVB)	PR 1LA, PR 1LB, discØ 314	Gasol./el éc.	FWD	1984	110	150	12.18-	■	
40 TFSI Mild Hybrid (DEMA)	PR 1LA, PR 1LB	Gasol./el éc.	FWD	1984	140	190	05.17-	■	
40 TFSI Mild Hybrid (DKYA)	PR 1LA, PR 1LB	Gasol./el éc.	FWD	1984	140	190	05.17-	■	
40 TFSI Mild Hybrid (DLVA)	PR 1LA, PR 1LB	Gasol./el éc.	FWD	1984	140	190	05.17-	■	
40 TFSI Mild Hybrid	PR 1LA, PR 1LB	Gasol./el éc.	FWD	1984	150	204	06.20-	■	
40 TFSI Mild Hybrid quattro (DMSA)	PR 1LA, PR 1LB	Gasol./el éc.	4WD	1984	150	204	06.20-	■	
45 TFSI Mild Hybrid (DKNA)	PR 1LA, PR 1LB	Gasol./el éc.	FWD	1984	180	245	07.18-11.19	■	
45 TFSI Mild hybrid quattro (DKNA)	PR 1LA, PR 1LB	Gasol./el éc.	4WD	1984	180	245	07.18-11.19	■	
45 TFSI Mild hybrid quattro (DDWA)	PR 1LA, PR 1LB	Gasol./el éc.	4WD	1984	183	249	02.20-	■	
2.0 TFSI Mild Hybrid (DDWA)	PR 1LA, PR 1LB	Gasol./el éc.	FWD	1984	185	252	05.17-11.19	■	
2.0 TFSI Mild Hybrid quattro (DDWA)	PR 1LA, PR 1LB	Gasol./el éc.	4WD	1984	185	252	05.17-11.19	■	
45 TFSI Mild hybrid quattro (DMTA)	PR 1LA, PR 1LB	Gasol./el éc.	4WD	1984	195	265	08.20-	■	
30 TDI Mild Hybrid (DEZB)	PR 1LA, PR 1LB, discØ 314	Diesel/el éc.	FWD	1968	100	136	07.19-	■	
35 TDI Mild Hybrid (DEZE)	PR 1LA, PR 1LB, discØ 314	Diesel/el éc.	FWD	1968	120	163	03.19-	■	
40 TDI Mild Hybrid quattro (DTPA)	PR 1LA, PR 1LB	Diesel/el éc.	4WD	1968	150	204	05.20-	■	
2.0 TDI (DEUC)	PR 1LA, PR 1LB, discØ 314	Diesel	FWD	1968	90	122	05.16-11.19	■	
30 TDI (DEUC)	PR 1LA, PR 1LB, discØ 314	Diesel	FWD	1968	90	122	05.16-11.19	■	
2.0 TDI (DEUB)	PR 1LA, PR 1LB, discØ 314	Diesel	FWD	1968	100	136	05.15-11.19	■	
2.0 TDI (CZHA)	PR 1LA, PR 1LB, discØ 314	Diesel	FWD	1968	110	150	05.15-11.19	■	
2.0 TDI (DEUA)	PR 1LA, PR 1LB, discØ 314	Diesel	FWD	1968	110	150	05.15-11.19	■	
2.0 TDI quattro (DEUA)	PR 1LA, PR 1LB, discØ 314	Diesel	4WD	1968	110	150	09.16-11.19	■	
35 TDI (DEUA)	PR 1LA, PR 1LB, discØ 314	Diesel	FWD	1968	110	150	08.15-	■	
2.0 TDI quattro (DETB)	PR 1LA, PR 1LB, discØ 314	Diesel	4WD	1968	120	163	09.16-11.19	■	
2.0 TDI (DESA)	PR 1LA, PR 1LB, discØ 314	Diesel	FWD	1968	140	190	05.15-	■	
2.0 TDI (DETA)	PR 1LA, PR 1LB, discØ 314	Diesel	FWD	1968	140	190	05.15-	■	
2.0 TDI (DFVA)	PR 1LA, PR 1LB, discØ 314	Diesel	FWD	1968	140	190	05.15-	■	
2.0 TDI quattro (DESA)	PR 1LA, PR 1LB, discØ 314	Diesel	4WD	1968	140	190	09.15-11.19	■	
2.0 TDI quattro (DETA)	PR 1LA, PR 1LB, discØ 314	Diesel	4WD	1968	140	190	09.15-11.19	■	
2.0 TDI quattro (DFVA)	PR 1LA, PR 1LB, discØ 314	Diesel	4WD	1968	140	190	09.15-11.19	■	
40 TDI (DESA)		Diesel	FWD	1968	140	190	05.15-	■	
40 TDI (DETA)		Diesel	FWD	1968	140	190	05.15-	■	
40 TDI quattro (DETA)		Diesel	4WD	1968	140	190	09.15-11.19	■	
3.0 TDI (CSWB)	PR 1LA, PR 1LB, discØ 314	Diesel	FWD	2967	160	218	09.15-08.18	■	

LISTA DE APLICACIONES - BUYERS GUIDE

3.0 TDI quattro (CSWB)	PR 1LA, PR 1LB, discØ 314	Diesel	4WD	2967	160	218	09.15-08.18	■
45 TDI quattro (DCPE)	PR 1LA, PR 1LB	Diesel	4WD	2967	170	231	07.18-	■
3.0 TDI quattro (CRTC)	PR 1LA, PR 1LB, discØ 314	Diesel	4WD	2967	200	272	05.15-08.18	■
50 TDI quattro (DCPC)	PR 1LA, PR 1LB	Diesel	4WD	2967	210	286	07.18-	■
A4 V B9 Avant (8W5, 8WD) 08.15-					Estate (Compact executive car-D Segment)			
1.4 TFSI (CVNA)	PR 1LA, PR 1LB, discØ 314	Gasolina	FWD	1395	110	150	02.16-10.19	■
2.0 TFSI (CVKB)	PR 1LA, PR 1LB, discØ 314	Gasolina	FWD	1984	140	190	08.15-	■
2.0 TFSI (DKYA)	PR 1LA, PR 1LB, discØ 314	Gasolina	FWD	1984	140	190	08.15-	■
2.0 TFSI (CYRC)	PR 1LA, PR 1LB, discØ 314	Gasolina	FWD	1984	183	249	05.16-10.19	■
2.0 TFSI quattro (CYRC)	PR 1LA, PR 1LB, discØ 314	Gasolina	4WD	1984	183	249	11.15-10.19	■
2.0 TFSI (CYRB)	PR 1LA, PR 1LB, discØ 314	Gasolina	FWD	1984	185	252	05.16-10.19	■
2.0 TFSI quattro (CYRB)	PR 1LA, PR 1LB, discØ 314	Gasolina	4WD	1984	185	252	08.15-10.19	■
S4 TFSi quattro (CWGD)	PR 1LA, PR 1LB, -09/16	Gasolina	4WD	2995	260	354	05.16-	■
2.0 TFSI g-tron (CVLA)	PR 1LA, PR 1LB, discØ 314	Gasol./Gas (CNG)	FWD	1984	125	170	11.16-10.19	■
40 TFSI g-tron (CVLA)	PR 1LA, PR 1LB, discØ 314	Gasol./Gas (CNG)	FWD	1984	125	170	11.16-	■
35 TFSI Mild Hybrid (DLVB)	PR 1LA, PR 1LB, discØ 314	Gasol./eléc.	FWD	1984	110	150	12.18-	■
35 TFSI Mild Hybrid (DMSB)	PR 1LA, PR 1LB, discØ 314	Gasol./eléc.	FWD	1984	110	150	12.18-	■
40 TFSI Mild Hybrid (DEMA)	PR 1LA, PR 1LB	Gasol./eléc.	FWD	1984	140	190	05.17-	■
40 TFSI Mild Hybrid (DKYA)	PR 1LA, PR 1LB	Gasol./eléc.	FWD	1984	140	190	05.17-	■
40 TFSI Mild Hybrid (DLVA)	PR 1LA, PR 1LB	Gasol./eléc.	FWD	1984	140	190	05.17-	■
40 TFSI Mild Hybrid (DMSA)	PR 1LA, PR 1LB	Gasol./eléc.	FWD	1984	150	204	06.20-	■
40 TFSI Mild Hybrid quattro (DMSA)	PR 1LA, PR 1LB	Gasol./eléc.	4WD	1984	150	204	06.20-	■
45 TFSI Mild Hybrid (DKNA)	PR 1LA, PR 1LB	Gasol./eléc.	FWD	1984	180	245	07.18-10.19	■
45 TFSI Mild hybrid quattro (DKNA)	PR 1LA, PR 1LB	Gasol./eléc.	4WD	1984	180	245	07.18-10.19	■
45 TFSI Mild hybrid quattro (DDWA)	PR 1LA, PR 1LB	Gasol./eléc.	4WD	1984	183	249	02.20-	■
2.0 TFSI Mild Hybrid (DDWA)	PR 1LA, PR 1LB	Gasol./eléc.	FWD	1984	185	252	05.17-10.19	■
2.0 TFSI Mild Hybrid quattro (DDWA)	PR 1LA, PR 1LB	Gasol./eléc.	4WD	1984	185	252	05.17-06.18	■
45 TFSI Mild hybrid quattro (DMTA)	PR 1LA, PR 1LB	Gasol./eléc.	4WD	1984	195	265	08.20-	■
30 TDI Mild Hybrid (DEZB)	PR 1LA, PR 1LB, discØ 314	Diesel/eléc.	FWD	1968	100	136	07.19-	■
35 TDI Mild Hybrid (DEZE)	PR 1LA, PR 1LB, discØ 314	Diesel/eléc.	FWD	1968	120	163	07.19-	■
40 TDI Mild Hybrid quattro (DTPA)	PR 1LA, PR 1LB	Diesel/eléc.	4WD	1968	150	204	05.20-	■
2.0 TDI (DEUC)	PR 1LA, PR 1LB, discØ 314	Diesel	FWD	1968	90	122	04.16-09.18	■
30 TDI (DEUC)	PR 1LA, PR 1LB, discØ 314	Diesel	FWD	1968	90	122	10.18-10.20	■
2.0 TDI (DEUB)	PR 1LA, PR 1LB, discØ 314	Diesel	FWD	1968	100	136	08.15-10.19	■
2.0 TDI (CZHA)	PR 1LA, PR 1LB, discØ 314	Diesel	FWD	1968	110	150	08.15-09.18	■
2.0 TDI (DEUA)	PR 1LA, PR 1LB, discØ 314	Diesel	FWD	1968	110	150	08.15-09.18	■
2.0 TDI quattro (DEUA)	PR 1LA, PR 1LB, discØ 314	Diesel	4WD	1968	110	150	09.16-10.19	■
35 TDI (DEUA)	PR 1LA, PR 1LB, discØ 314	Diesel	FWD	1968	110	150	10.18-10.19	■
2.0 TDI quattro (DETB)	PR 1LA, PR 1LB, discØ 314	Diesel	4WD	1968	120	163	09.16-09.18	■
2.0 TDI (DESA)	PR 1LA, PR 1LB, discØ 314	Diesel	FWD	1968	140	190	08.15-09.18	■
2.0 TDI (DETA)	PR 1LA, PR 1LB, discØ 314	Diesel	FWD	1968	140	190	08.15-09.18	■
2.0 TDI (DFVA)	PR 1LA, PR 1LB, discØ 314	Diesel	FWD	1968	140	190	08.15-09.18	■

LISTA DE APLICACIONES - BUYERS GUIDE

2.0 TDI quattro (DESA)	PR 1LA, PR 1LB, discØ 314	Diesel	4WD	1968	140	190	10.15-09.18	■	
2.0 TDI quattro (DETA)	PR 1LA, PR 1LB, discØ 314	Diesel	4WD	1968	140	190	10.15-09.18	■	
2.0 TDI quattro (DFVA)	PR 1LA, PR 1LB, discØ 314	Diesel	4WD	1968	140	190	10.15-09.18	■	
40 TDI (DESA)		Diesel	FWD	1968	140	190	10.18-08.20	■	
40 TDI (DETA)		Diesel	FWD	1968	140	190	10.18-08.20	■	
40 TDI quattro (DETA)		Diesel	4WD	1968	140	190	10.18-09.20	■	
3.0 TDI (CSWB)	PR 1LA, PR 1LB, discØ 314	Diesel	FWD	2967	160	218	10.15-08.18	■	
3.0 TDI quattro (CSWB)	PR 1LA, PR 1LB, discØ 314	Diesel	4WD	2967	160	218	11.15-08.18	■	
45 TDI quattro (DCPE)	PR 1LA, PR 1LB	Diesel	4WD	2967	170	231	07.18-	■	
3.0 TDI quattro (CRTC)	PR 1LA, PR 1LB, discØ 314	Diesel	4WD	2967	200	272	08.15-08.18	■	
50 TDI quattro (DCPC)	PR 1LA, PR 1LB	Diesel	4WD	2967	210	286	07.18-	■	
A5 II (F57, F5E) 11.16-							Convertible (Compact executive car-D Segment)		
2.0 TFSI (CVKB)	PR 1LA, PR 1LB	Gasolina	FWD	1984	140	190	03.17-12.19	■	
2.0 TFSI (DKYA)	PR 1LA, PR 1LB	Gasolina	FWD	1984	140	190	03.17-12.19	■	
2.0 TFSI (CYRB)	PR 1LA, PR 1LB	Gasolina	FWD	1984	185	252	03.17-12.19	■	
2.0 TFSI quattro (CYMC)	05/17-, PR 1LA, PR 1LB, discØ 314	Gasolina	4WD	1984	185	252	11.16-	■	
2.0 TFSI quattro (CYRB)	05/17-, PR 1LA, PR 1LB, discØ 314	Gasolina	4WD	1984	185	252	11.16-	■	
S5 TFSI quattro (CWGD)	05/17-, PR 1LA, PR 1LB, discØ 314	Gasolina	4WD	2995	260	354	03.17-	■	
35 TFSI Mild Hybrid (DMSB)	PR 1LA, PR 1LB, discØ 314	Gasol./el éc.	FWD	1984	110	150	06.20-	■	
40 TFSI Mild Hybrid (DEMA)	PR 1LA, PR 1LB	Gasol./el éc.	FWD	1984	140	190	05.17-	■	
40 TFSI Mild Hybrid (DKYA)	PR 1LA, PR 1LB	Gasol./el éc.	FWD	1984	140	190	05.17-	■	
40 TFSI Mild Hybrid (DLVA)	PR 1LA, PR 1LB	Gasol./el éc.	FWD	1984	140	190	05.17-	■	
40 TFSI Mild Hybrid (DMSA)	PR 1LA, PR 1LB	Gasol./el éc.	FWD	1984	150	204	07.20-	■	
40 TFSI Mild Hybrid quattro (DMSA)	PR 1LA, PR 1LB	Gasol./el éc.	4WD	1984	150	204	06.20-	■	
45 TFSI Mild Hybrid (DKNA)	PR 1LA, PR 1LB	Gasol./el éc.	FWD	1984	180	245	07.18-12.19	■	
45 TFSI Mild hybrid quattro (DKNA)	PR 1LA, PR 1LB	Gasol./el éc.	4WD	1984	180	245	07.18-12.19	■	
2.0 TFSI Mild Hybrid (DDWA)	PR 1LA, PR 1LB	Gasol./el éc.	FWD	1984	185	252	05.17-12.19	■	
2.0 TFSI Mild Hybrid quattro (DDWA)	PR 1LA, PR 1LB	Gasol./el éc.	4WD	1984	185	252	05.17-	■	
2.0 TFSI Mild Hybrid quattro (DLHB)	PR 1LA, PR 1LB	Gasol./el éc.	4WD	1984	185	252	05.17-	■	
45 TFSI Mild hybrid quattro	PR 1LA, PR 1LB	Gasol./el éc.	4WD	1984	195	265	06.20-	■	
30 TDI Mild Hybrid	discØ 314, PR 1LA, PR 1LB	Diesel/el éc.	FWD	1968	100	136	07.18-	■	
40 TDI Mild Hybrid quattro	PR 1LA, PR 1LB	Diesel/el éc.	4WD	1968	150	204	09.20-	■	
2.0 TDI (DEUA)	PR 1LA, PR 1LB, discØ 314	Diesel	FWD	1968	110	150	08.17-12.19	■	
35 TDI (DEZE)	PR 1LA, PR 1LB, discØ 314	Diesel	FWD	1968	120	163	10.19-	■	
2.0 TDI (DETA)	05/17-, PR 1LA, PR 1LB, discØ 314	Diesel	FWD	1968	140	190	11.16-12.19	■	
2.0 TDI quattro (DETA)	PR 1LA, PR 1LB	Diesel	4WD	1968	140	190	03.17-	■	
40 TDI (DETA)	PR 1LA, PR 1LB	Diesel	FWD	1968	140	190	11.16-12.19	■	
40 TDI quattro (DETA)	PR 1LA, PR 1LB	Diesel	4WD	1968	140	190	03.17-	■	
3.0 TDI (CSWB)	PR 1LA, PR 1LB	Diesel	FWD	2967	160	218	03.17-08.18	■	
3.0 TDI quattro (CSWB)	05/17-, PR 1LA, PR 1LB, discØ 314	Diesel	4WD	2967	160	218	12.16-08.18	■	
3.0 TDI quattro (DCPC)	PR 1LA, PR 1LB	Diesel	4WD	2967	210	286	11.16-12.19	■	
50 TDI quattro (DCPC)	PR 1LA, PR 1LB	Diesel	4WD	2967	210	286	11.16-12.19	■	

LISTA DE APLICACIONES - BUYERS GUIDE

A5 II (F53, F5P) 06.16-						Coupe (Compact executive car-D Segment)			
1.4 TFSI (CVNA)	PR 1LA, PR 1LB, discØ 314	Gasolina	FWD	1395	110	150	11.16-02.20	■	
35 TFSI		Gasolina	FWD	1984	110	150	03.20-	■	
2.0 TFSI (CVKB)	01/17-, PR 1LA, PR 1LB, discØ 314	Gasolina	FWD	1984	140	190	09.16-	■	
2.0 TFSI (DKYA)	01/17-, PR 1LA, PR 1LB, discØ 314	Gasolina	FWD	1984	140	190	09.16-	■	
2.0 TFSI quattro (CYRC)	01/17-, PR 1LA, PR 1LB, discØ 314	Gasolina	4WD	1984	183	249	06.16-02.20	■	
2.0 TFSI (CYRB)	01/17-, PR 1LA, PR 1LB, discØ 314	Gasolina	FWD	1984	185	252	11.16-02.20	■	
2.0 TFSI quattro (CYMC)	01/17-, PR 1LA, PR 1LB, discØ 314	Gasolina	4WD	1984	185	252	06.16-	■	
2.0 TFSI quattro (CYRB)	01/17-, PR 1LA, PR 1LB, discØ 314	Gasolina	4WD	1984	185	252	06.16-	■	
S5 TFSI quattro (CWGD)	01/17-, PR 1LA, PR 1LB, discØ 314	Gasolina	4WD	2995	260	354	07.16-	■	
35 TFSI Mild Hybrid (DLVB)	PR 1LA, PR 1LB, discØ 314	Gasol./el éc.	FWD	1984	110	150	02.19-	■	
35 TFSI Mild Hybrid (DMSB)	PR 1LA, PR 1LB, discØ 314	Gasol./el éc.	FWD	1984	110	150	02.19-	■	
40 TFSI Mild Hybrid (DEMA)	PR 1LA, PR 1LB	Gasol./el éc.	FWD	1984	140	190	05.17-	■	
40 TFSI Mild Hybrid (DHDA)	PR 1LA, PR 1LB	Gasol./el éc.	FWD	1984	140	190	05.17-	■	
40 TFSI Mild Hybrid (DKYA)	PR 1LA, PR 1LB	Gasol./el éc.	FWD	1984	140	190	05.17-	■	
40 TFSI Mild Hybrid (DLVA)	PR 1LA, PR 1LB	Gasol./el éc.	FWD	1984	140	190	05.17-	■	
40 TFSI Mild Hybrid	PR 1LA, PR 1LB	Gasol./el éc.	FWD	1984	150	204	07.20-	■	
40 TFSI Mild Hybrid quattro	PR 1LA, PR 1LB	Gasol./el éc.	4WD	1984	150	204	07.20-	■	
45 TFSI Mild Hybrid (DKNA)	PR 1LA, PR 1LB	Gasol./el éc.	FWD	1984	180	245	07.18-08.20	■	
45 TFSI Mild hybrid quattro (DKNA)	PR 1LA, PR 1LB	Gasol./el éc.	4WD	1984	180	245	07.18-08.20	■	
2.0 TFSI Mild Hybrid (DDWA)	PR 1LA, PR 1LB	Gasol./el éc.	FWD	1984	185	252	05.17-02.20	■	
2.0 TFSI Mild Hybrid quattro (DDWA)	PR 1LA, PR 1LB	Gasol./el éc.	4WD	1984	185	252	05.17-02.20	■	
2.0 TFSI Mild Hybrid quattro (DLHB)	PR 1LA, PR 1LB	Gasol./el éc.	4WD	1984	185	252	05.17-02.20	■	
45 TFSI Mild hybrid quattro	PR 1LA, PR 1LB	Gasol./el éc.	4WD	1984	195	265	10.19-	■	
30 TDI Mild Hybrid (DEZB)	PR 1LA, PR 1LB, discØ 314	Diesel/el éc.	FWD	1968	100	136	10.19-	■	
40 TDI Mild Hybrid quattro	PR 1LA, PR 1LB	Diesel/el éc.	4WD	1968	150	204	09.20-	■	
S5 TDI Mild Hybrid quattro (DEWB)	PR 1LA, PR 1LB	Diesel/el éc.	4WD	2967	255	347	12.18-02.20	■	
2.0 TDI (CZHA)	PR 1LA, PR 1LB, discØ 314	Diesel	FWD	1968	110	150	05.17-02.20	■	
2.0 TDI (DEUA)	PR 1LA, PR 1LB, discØ 314	Diesel	FWD	1968	110	150	05.17-02.20	■	
35 TDI (CZHA)	PR 1LA, PR 1LB, discØ 314	Diesel	FWD	1968	110	150	05.17-02.20	■	
35 TDI (DEUA)	PR 1LA, PR 1LB, discØ 314	Diesel	FWD	1968	110	150	05.17-02.20	■	
35 TDI (DEZE)	PR 1LA, PR 1LB, discØ 314	Diesel	FWD	1968	120	163	08.19-	■	
2.0 TDI (DESA)	01/17-, PR 1LA, PR 1LB, discØ 314	Diesel	FWD	1968	140	190	07.16-	■	
2.0 TDI (DETA)	01/17-, PR 1LA, PR 1LB, discØ 314	Diesel	FWD	1968	140	190	07.16-	■	
2.0 TDI quattro (DESA)	01/17-, PR 1LA, PR 1LB, discØ 314	Diesel	4WD	1968	140	190	10.16-	■	
2.0 TDI quattro (DETA)	01/17-, PR 1LA, PR 1LB, discØ 314	Diesel	4WD	1968	140	190	10.16-	■	
40 TDI (DESA)	PR 1LA, PR 1LB	Diesel	FWD	1968	140	190	06.16-	■	
40 TDI (DETA)	PR 1LA, PR 1LB	Diesel	FWD	1968	140	190	06.16-	■	

LISTA DE APLICACIONES - BUYERS GUIDE

40 TDI quattro (DETA)	PR 1LA, PR 1LB	Diesel	4WD	1968	140	190	10.16-	■	
3.0 TDI (CSWB)	05/17-, PR 1LA, PR 1LB, discØ 314	Diesel	FWD	2967	160	218	11.16-08.18	■	
3.0 TDI quattro (CSWB)	01/17-, PR 1LA, PR 1LB, discØ 314	Diesel	4WD	2967	160	218	07.16-08.18	■	
45 TDI quattro (DCPE)	PR 1LA, PR 1LB	Diesel	4WD	2967	170	231	07.18-02.20	■	
3.0 TDI quattro (CRTC)	PR 1LA, PR 1LB, discØ 314	Diesel	4WD	2967	200	272	02.17-12.17	■	
3.0 TDI quattro (DCPC)	PR 1LA, PR 1LB, discØ 314	Diesel	4WD	2967	210	286	01.17-02.20	■	
50 TDI quattro (DCPC)	PR 1LA, PR 1LB	Diesel	4WD	2967	210	286	01.17-02.20	■	
A5 II Sportback (F5A, F5F) 06.16-					Hatchback (Compact executive car-D Segment)				
1.4 TFSI (CVNA)	PR 1LA, PR 1LB, discØ 314	Gasolina	FWD	1395	110	150	01.17-02.20	■	
2.0 TFSI (CVKB)	PR 1LA, PR 1LB	Gasolina	FWD	1984	140	190	01.17-	■	
2.0 TFSI (DKYA)	PR 1LA, PR 1LB	Gasolina	FWD	1984	140	190	01.17-	■	
2.0 TFSI quattro (CYRC)	05/17-, PR 1LA, PR 1LB, discØ 314	Gasolina	4WD	1984	183	249	09.16-02.20	■	
2.0 TFSI (CYRB)	05/17-, PR 1LA, PR 1LB, discØ 314	Gasolina	FWD	1984	185	252	11.16-02.20	■	
2.0 TFSI quattro (CYMC)	05/17-, PR 1LA, PR 1LB, discØ 314	Gasolina	4WD	1984	185	252	09.16-	■	
2.0 TFSI quattro (CYRB)	05/17-, PR 1LA, PR 1LB, discØ 314	Gasolina	4WD	1984	185	252	09.16-	■	
RS5 TFSI quattro (DECA)	PR 1LA, PR 1LB	Gasolina	4WD	2894	331	450	06.18-	■	
S5 TFSI quattro (CWGD)	05/17-, PR 1LA, PR 1LB, discØ 314	Gasolina	4WD	2995	260	354	09.16-	■	
2.0 TFSI g-tron (CVLA)	PR 1LA, PR 1LB, discØ 314	Gasol./Gas (CNG)	FWD	1984	125	170	02.17-02.20	■	
40 TFSI g-tron (CVLA)	PR 1LA, PR 1LB, discØ 314	Gasol./Gas (CNG)	FWD	1984	125	170	02.17-	■	
35 TFSI Mild Hybrid (DLVB)	PR 1LA, PR 1LB, discØ 314	Gasol./eléc.	FWD	1984	110	150	08.18-	■	
35 TFSI Mild Hybrid (DMSB)	PR 1LA, PR 1LB, discØ 314	Gasol./eléc.	FWD	1984	110	150	08.18-	■	
40 TFSI Mild Hybrid (DMSA)	PR 1LA, PR 1LB	Gasol./eléc.	FWD	1984	150	204	06.20-	■	
40 TFSI Mild Hybrid quattro (DMSA)	PR 1LA, PR 1LB	Gasol./eléc.	4WD	1984	150	204	06.20-	■	
45 TFSI Mild Hybrid (DKNA)	PR 1LA, PR 1LB	Gasol./eléc.	FWD	1984	180	245	07.18-02.20	■	
45 TFSI Mild hybrid quattro (DKNA)	PR 1LA, PR 1LB	Gasol./eléc.	4WD	1984	180	245	02.19-02.20	■	
45 TFSI Mild hybrid quattro	PR 1LA, PR 1LB	Gasol./eléc.	4WD	1984	195	265	10.19-	■	
30 TDI Mild Hybrid (DEZB)	PR 1LA, PR 1LB, discØ 314	Diesel/eléc.	FWD	1968	100	136	10.19-	■	
40 TDI Mild Hybrid quattro	PR 1LA, PR 1LB	Diesel/eléc.	4WD	1968	150	204	09.20-	■	
S5 TDI Mild Hybrid quattro (DEWB)	PR 1LA, PR 1LB	Diesel/eléc.	4WD	2967	255	347	12.18-02.20	■	
2.0 TDI (DEUB)	PR 1LA, PR 1LB, discØ 314	Diesel	FWD	1968	100	136	05.17-02.20	■	
2.0 TDI (CZHA)	PR 1LA, PR 1LB, discØ 314	Diesel	FWD	1968	110	150	01.17-02.20	■	
2.0 TDI (DEUA)	PR 1LA, PR 1LB, discØ 314	Diesel	FWD	1968	110	150	01.17-02.20	■	
2.0 TDI quattro (CZHA)	PR 1LA, PR 1LB, discØ 314	Diesel	4WD	1968	110	150	05.17-02.20	■	
2.0 TDI quattro (DEUA)	PR 1LA, PR 1LB, discØ 314	Diesel	4WD	1968	110	150	05.17-02.20	■	
35 TDI (DEUA)	PR 1LA, PR 1LB, discØ 314	Diesel	FWD	1968	110	150	01.17-02.20	■	
35 TDI (DEZE)	PR 1LA, PR 1LB, discØ 314	Diesel	FWD	1968	120	163	08.19-	■	
2.0 TDI (DESA)	05/17-, PR 1LA, PR 1LB, discØ 314	Diesel	FWD	1968	140	190	09.16-	■	
2.0 TDI (DETA)	05/17-, PR 1LA, PR 1LB, discØ 314	Diesel	FWD	1968	140	190	09.16-	■	
2.0 TDI quattro (DESA)	05/17-, PR 1LA, PR 1LB, discØ 314	Diesel	4WD	1968	140	190	10.16-	■	

LISTA DE APLICACIONES - BUYERS GUIDE

2.0 TDI quattro (DETA)	05/17-, PR 1LA, PR 1LB, discØ 314	Diesel	4WD	1968	140	190	10.16-	■	
40 TDI (DESA)	PR 1LA, PR 1LB	Diesel	FWD	1968	140	190	09.16-	■	
40 TDI (DETA)	PR 1LA, PR 1LB	Diesel	FWD	1968	140	190	09.16-	■	
40 TDI quattro (DETA)	PR 1LA, PR 1LB	Diesel	4WD	1968	140	190	08.16-	■	
3.0 TDI (CSWB)	PR 1LA, PR 1LB, discØ 314	Diesel	FWD	2967	160	218	03.17-08.18	■	
3.0 TDI quattro (CSWB)	05/17-, PR 1LA, PR 1LB, discØ 314	Diesel	4WD	2967	160	218	09.16-	■	
45 TDI quattro (DCPE)	PR 1LA, PR 1LB	Diesel	4WD	2967	170	231	07.18-02.20	■	
3.0 TDI quattro (CRTC)	PR 1LA, PR 1LB	Diesel	4WD	2967	200	272	02.17-12.17	■	
3.0 TDI quattro (DCPC)	PR 1LA, PR 1LB	Diesel	4WD	2967	210	286	01.17-02.20	■	
50 TDI quattro (DCPC)	PR 1LA, PR 1LB	Diesel	4WD	2967	210	286	01.17-02.20	■	
A5 Sportback (8TA) 07.07-10.17					Hatchback (Compact executive car-D Segment)				
1.8 TFSI (CJED)	PR 1LA, PR 1LB, discØ 314	Gasolina	FWD	1798	106	144	09.14-01.17	■	
1.8 TFSI (CDHB)	PR 1LA, PR 1LB, discØ 314	Gasolina	FWD	1798	118	160	11.09-09.11	■	
1.8 TFSI (CJEB)	PR 1LA, PR 1LB, discØ 314	Gasolina	FWD	1798	125	170	08.11-01.17	■	
1.8 TFSI (CJEE)	PR 1LA, PR 1LB, discØ 314	Gasolina	FWD	1798	130	177	05.15-01.17	■	
2.0 TFSI (CDNB)	PR 1LA, PR 1LB, discØ 314	Gasolina	FWD	1984	132	180	09.09-06.14	■	
2.0 TFSI (CDNC)	PR 1LA, PR 1LB, discØ 314	Gasolina	FWD	1984	155	211	09.09-11.13	■	
2.0 TFSI quattro (CDNC)	PR 1LA, PR 1LB, discØ 314	Gasolina	4WD	1984	155	211	09.09-01.17	■	
2.0 TFSI (CNCD)	PR 1LA, PR 1LB, discØ 314	Gasolina	FWD	1984	165	224	05.13-05.16	■	
2.0 TFSI quattro (CNCD)	PR 1LA, PR 1LB, discØ 314	Gasolina	4WD	1984	165	224	05.13-05.16	■	
2.0 TFSI (CNCE)	PR 1LA, PR 1LB, discØ 314	Gasolina	FWD	1984	169	230	08.15-01.17	■	
2.0 TFSI quattro (CNCE)	PR 1LA, PR 1LB, discØ 314	Gasolina	4WD	1984	169	230	08.15-01.17	■	
3.0 TFSI quattro (CHMB)	PR 1LA, PR 1LB, discØ 314	Gasolina	4WD	2995	200	272	12.11-01.17	■	
3.0 TFSI quattro (CMUA)	PR 1LA, PR 1LB, discØ 314	Gasolina	4WD	2995	200	272	12.11-01.17	■	
3.0 TFSI quattro (CRED)	PR 1LA, PR 1LB, discØ 314	Gasolina	4WD	2995	200	272	12.11-01.17	■	
S5 quattro (CAKA)	PR 1LA, PR 1LB, discØ 314	Gasolina	4WD	2995	245	333	01.10-01.17	■	
S5 quattro (CGWC)	PR 1LA, PR 1LB, discØ 314	Gasolina	4WD	2995	245	333	01.10-01.17	■	
S5 quattro (CREC)	PR 1LA, PR 1LB, discØ 314	Gasolina	4WD	2995	245	333	01.10-01.17	■	
S5 quattro (CTDA)	PR 1LA, PR 1LB, discØ 314	Gasolina	4WD	2995	245	333	01.10-01.17	■	
3.2 FSI quattro (CALA)	PR 1LA, PR 1LB, discØ 314	Gasolina	4WD	3197	195	265	09.09-03.12	■	
2.0 TDI (CAGB)	PR 1LA, PR 1LB, discØ 314	Diesel	FWD	1968	100	136	09.09-01.17	■	
2.0 TDI (CJCB)	PR 1LA, PR 1LB, discØ 314	Diesel	FWD	1968	100	136	09.09-01.17	■	
2.0 TDI (CSUB)	PR 1LA, PR 1LB, discØ 314	Diesel	FWD	1968	100	136	09.09-01.17	■	
2.0 TDI (CAGA)	PR 1LA, PR 1LB, discØ 314	Diesel	FWD	1968	105	143	09.09-01.17	■	
2.0 TDI (CJCA)	PR 1LA, PR 1LB, discØ 314	Diesel	FWD	1968	105	143	09.09-01.17	■	
2.0 TDI (CMEA)	PR 1LA, PR 1LB, discØ 314	Diesel	FWD	1968	105	143	09.09-01.17	■	
2.0 TDI (CMFA)	PR 1LA, PR 1LB, discØ 314	Diesel	FWD	1968	105	143	09.09-01.17	■	
2.0 TDI (CJCD)	PR 1LA, PR 1LB, discØ 314	Diesel	FWD	1968	110	150	05.13-01.17	■	
2.0 TDI (CMFB)	PR 1LA, PR 1LB, discØ 314	Diesel	FWD	1968	110	150	05.13-01.17	■	
2.0 TDI (CSUA)	PR 1LA, PR 1LB, discØ 314	Diesel	FWD	1968	110	150	05.13-01.17	■	
2.0 TDI (CAHB)	PR 1LA, PR 1LB, discØ 314	Diesel	FWD	1968	120	163	09.09-01.17	■	
2.0 TDI (CGLD)	PR 1LA, PR 1LB, discØ 314	Diesel	FWD	1968	120	163	09.09-01.17	■	
2.0 TDI (CNHC)	PR 1LA, PR 1LB, discØ 314	Diesel	FWD	1968	120	163	09.09-01.17	■	
2.0 TDI (CAHA)	PR 1LA, PR 1LB, discØ 314	Diesel	FWD	1968	125	170	09.09-03.12	■	
2.0 TDI quattro (CAHA)	PR 1LA, PR 1LB, discØ 314	Diesel	4WD	1968	125	170	09.09-03.12	■	
2.0 TDI (CGLC)	PR 1LA, PR 1LB, discØ 314	Diesel	FWD	1968	130	177	10.11-01.17	■	
2.0 TDI quattro (CGLC)	PR 1LA, PR 1LB, discØ 314	Diesel	4WD	1968	130	177	12.11-01.17	■	
2.0 TDI (CNHA)	PR 1LA, PR 1LB, discØ 314	Diesel	FWD	1968	140	190	09.13-01.17	■	
2.0 TDI quattro (CNHA)	PR 1LA, PR 1LB, discØ 314	Diesel	4WD	1968	140	190	09.13-01.17	■	
2.7 TDI (CGKB)	PR 1LA, PR 1LB, discØ 314	Diesel	FWD	2698	120	163	09.09-03.12	■	

LISTA DE APLICACIONES - BUYERS GUIDE

2.7 TDI (CAMA)	PR 1LA, PR 1LB, discØ 314	Diesel	FWD	2698	140	190	09.09-03.12	■
2.7 TDI (CGKA)	PR 1LA, PR 1LB, discØ 314	Diesel	FWD	2698	140	190	09.09-03.12	■
3.0 TDI (CLAB)	PR 1LA, PR 1LB, discØ 314	Diesel	FWD	2967	150	204	10.11-01.17	■
3.0 TDI quattro (CKVD)	PR 1LA, PR 1LB, discØ 314	Diesel	4WD	2967	160	218	05.15-01.17	■
3.0 TDI quattro (CCWA)	PR 1LA, PR 1LB, discØ 314	Diesel	4WD	2967	176	240	09.09-03.12	■
3.0 TDI quattro (CDUC)	PR 1LA, PR 1LB, discØ 314	Diesel	4WD	2967	180	245	10.11-01.17	■
3.0 TDI quattro (CKVB)	PR 1LA, PR 1LB, discØ 314	Diesel	4WD	2967	180	245	10.11-01.17	■
3.0 TDI quattro (CKVC)	PR 1LA, PR 1LB, discØ 314	Diesel	4WD	2967	180	245	10.11-01.17	■

AUDI (FAW)

A4L V B9 (868, 86L) 09.16-				Saloon (Compact executive car-D Segment)				
35 TFSI		Gasolina	FWD	1395	110	150	09.17-	■
35 TFSI		Gasolina	FWD	1984	110	150	10.18-	■
40 TFSI	PR 1LA, PR 1LB, discØ 314	Gasolina	FWD	1984	140	190	09.16-	■
45 TFSI	PR 1LA, PR 1LB, discØ 314	Gasolina	FWD	1984	185	252	09.16-	■