

LISTA DE APLICACIONES - BUYERS GUIDE

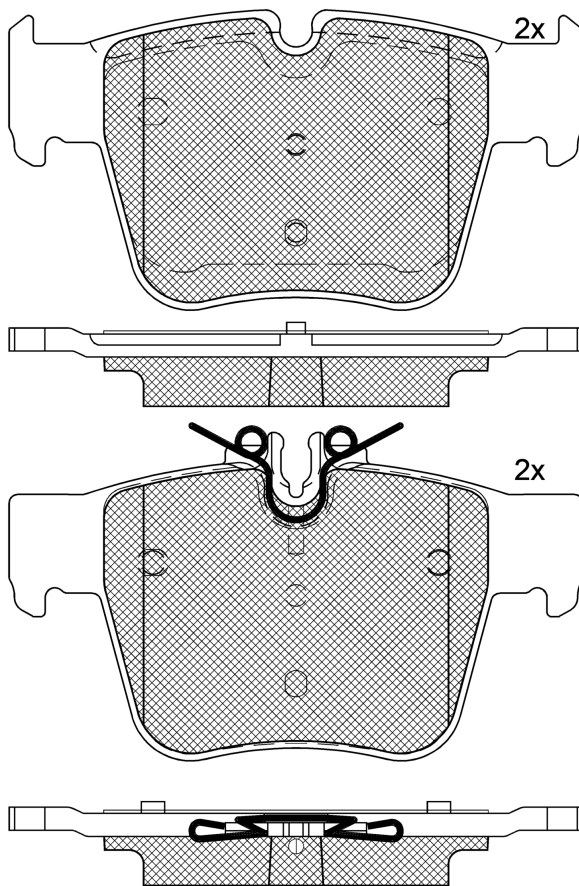
182271



Qty: 300

Weight: 1.320

O.E.M.	MAKE
000 420 52 00	MERCEDES-BENZ
000 420 59 00	MERCEDES-BENZ
000 420 83 00	MERCEDES-BENZ
0004207803	MERCEDES-BENZ
0004208703	MERCEDES-BENZ



182271

E 9 90R-02A0111/4608



Ate - Teves

122.4x64x16.1

122.4x70x16.1

WVA	FMSI
22423	D1872-9101
22424	
25821	
25822	
MAKE	
MERCEDES-BENZ	
MERCEDES-BENZ (BBDC)	



Trac.	CC	Kw	CV		
Front / Rear					

MERCEDES-BENZ

C-Class IV (A205) 06.16-						Convertible (Compact executive car-D Segment)			
AMG C 43 4-matic (205.464) (M 276.823)		Gasolina	4WD	2996	270	367	10.16-05.18		■
AMG C 43 4-matic (205.464) (M 276.823)		Gasolina	4WD	2996	287	390	05.18-04.23		■
C-Class IV (C205) 10.15-						Coupe (Compact executive car-D Segment)			
AMG C 43 4-matic (205.364) (M 276.823)		Gasolina	4WD	2996	270	367	04.16-05.18		■
AMG C 43 4-matic (205.364) (M 276.823)		Gasolina	4WD	2996	287	390	05.18-04.23		■
C-Class IV (W205) 07.13-						Saloon (Compact executive car-D Segment)			
AMG C 43 4-matic (205.064) (M 276.823)	not sports package, elec.brake detention	Gasolina	4WD	2996	270	367	04.16-05.18		■
C 450 AMG 4-matic (205.064) (M 276.823)	not sports package, elec.brake detention, not AMG sports pack.	Gasolina	4WD	2996	270	367	04.15-05.18		■
AMG C 43 4-matic (205.064) (M 276.823)		Gasolina	4WD	2996	287	390	05.18-05.21		■
C-Class IV T-Model (S205) 09.14-						Estate (Compact executive car-D Segment)			
AMG C 43 4-matic (205.264) (M 276.823)	not sports package	Gasolina	4WD	2996	270	367	04.16-05.18		■
C 450 AMG 4-matic (205.264) (M 276.823)	not sports package	Gasolina	4WD	2996	270	367	04.15-05.18		■
AMG C 43 4-matic (205.264) (M 276.823)		Gasolina	4WD	2996	287	390	05.18-02.21		■
GLC-Class (X253) 06.15-						SUV (Luxury Crossover SUV-J Segment)			
200 (253.943)	not sports package	Gasolina	FWD	1991	135	184	06.16-		■
200 d 4-matic (253.343)		Gasolina	4WD	1991	135	184	11.16-04.19		■
260 4-matic (253.381) (M 264.920)		Gasolina	4WD	1991	145	197	11.19-03.23		■
250 4-matic (253.346) (M 274.920)	SA 86B	Gasolina	4WD	1991	155	211	06.16-04.19		■
250 4-matic (253.946) (M 274.920)	elec.brake detention, SA 86B	Gasolina	4WD	1991	155	211	06.15-04.19		■

LISTA DE APLICACIONES - BUYERS GUIDE

300 (253.948)		Gasolina	FWD	1991	155	211	06.16-	■
300 4-matic (253.949)	not sports package	Gasolina	4WD	1991	177	241	07.15-04.19	■
300 (253.948) (M 274.920)		Gasolina	RWD	1991	180	245	01.16-04.19	■
300 4-matic (253.349) (M 274.920)	SA 86B	Gasolina	4WD	1991	180	245	10.16-04.19	■
300 4-matic (253.949) (M 274.920)	elec.brake detention, SA 86B	Gasolina	4WD	1991	180	245	07.15-04.19	■
300 4-matic (253.384) (M 264.920)	SA 86B, sports package, AMG Sports Package, M-sport package	Gasolina	4WD	1991	190	258	11.19-03.23	■
AMG 43 4-matic (253.364) (M 276.823)		Gasolina	4WD	2996	270	367	10.16-08.19	■
AMG 43 4-matic (253.964) (M 276.823)	elec.brake detention	Gasolina	4WD	2996	270	367	04.16-08.19	■
AMG 43 4-matic (253.364) (M 276.823)		Gasolina	4WD	2996	287	390	08.19-03.23	■
AMG 43 4-matic (253.964) (M 276.823)		Gasolina	4WD	2996	287	390	08.19-06.22	■
250 CNG 4-matic (253.946) (M 274.920)		Gasol./Gas (CNG)	4WD	1991	155	211	06.15-04.19	■
250 Flexfuel 4-matic (253.946) (M 274.920)		Gasol./Etanol	4WD	1991	155	211	06.15-04.19	■
200 4-matic (253.343)		Gasol./eléc.	4WD	1991	145	197	01.17-05.19	■
200 4-matic (253.943)		Gasol./eléc.	4WD	1991	145	197	01.16-12.18	■
200 EQ Boost (253.380) (M 264.920)	SA 86B	Gasol./eléc.	RWD	1991	145	197	04.19-03.23	■
200 EQ Boost (253.980) (M 264.920)	SA 86B	Gasol./eléc.	RWD	1991	145	197	04.19-06.22	■
200 EQ Boost 4-matic (253.981) (M 264.920)	SA 86B	Gasol./eléc.	4WD	1991	145	197	04.19-06.22	■
200 EQ Boost 4-matic (253.981) (M 264.920)	SA 86B	Gasol./eléc.	4WD	1991	145	197	04.19-03.23	■
300 e 4-matic (253.353) (M 274.920)		Gasol./eléc.	4WD	1991	155	211	11.19-	■
300 e 4-matic (253.953) (M 274.920)		Gasol./eléc.	4WD	1991	155	211	11.19-	■
350 e 4-matic (253.354) (M 274.920)	SA 86B	Gasol./eléc.	4WD	1991	155	211	10.16-04.19	■
350 e 4-matic (253.954) (M 274.920)	elec.brake detention, SA 86B	Gasol./eléc.	4WD	1991	155	211	01.16-04.19	■
300 4-matic (253.349)		Gasol./eléc.	4WD	1991	190	258	11.16-05.19	■
300 4-matic (253.949)		Gasol./eléc.	4WD	1991	190	258	09.15-05.19	■
300 EQ Boost 4-matic (253.984) (M 264.920)	SA 86B	Gasol./eléc.	4WD	1991	190	258	04.19-06.22	■
300 EQ Boost 4-matic (253.984) (M 264.920)	SA 86B	Gasol./eléc.	4WD	1991	190	258	04.19-03.23	■
300 e 4-matic (253.353)		Gasol./eléc.	4WD	1991	235	320	11.19-03.23	■
300 e 4-matic (253.953) (M 274.920)		Gasol./eléc.	4WD	1991	235	320	11.19-06.22	■
350 e 4-matic (253.354) (M 274.920)	SA 86B	Gasol./eléc.	4WD	1991	235	320	10.16-04.19	■
350 e 4-matic (253.954) (M 274.920)	elec.brake detention	Gasol./eléc.	4WD	1991	235	320	01.16-04.19	■
300 de 4-matic (253.311) (OM 654.920)	SA 86B	Diesel/eléc.	4WD	1950	143	194	05.20-	■
300 de 4-matic (253.911) (OM 654.920)	SA 86B	Diesel/eléc.	4WD	1950	143	194	05.20-	■
300 de 4-matic (253.311) (OM 654.920)	SA 86B	Diesel/eléc.	4WD	1950	225	306	05.20-03.23	■
300 de 4-matic (253.911) (OM 654.920)	SA 86B	Diesel/eléc.	4WD	1950	225	306	05.20-06.22	■
200 d (253.313) (OM 654.920)	SA 86B	Diesel	RWD	1950	120	163	04.19-08.21	■
200 d (253.913) (OM 654.920)	SA 86B	Diesel	RWD	1950	120	163	04.19-06.22	■
200 d 4-matic (253.316) (OM 654.920)	SA 86B	Diesel	4WD	1950	120	163	04.19-03.23	■
200 d 4-matic (253.916) (OM 654.920)	SA 86B	Diesel	4WD	1950	120	163	04.19-06.22	■
220 d (253.914) (OM 654.920)	SA 86B	Diesel	RWD	1950	143	194	04.19-06.22	■

LISTA DE APLICACIONES - BUYERS GUIDE

220 d 4-matic (253.315) (OM 654.920)	SA 86B	Diesel	4WD	1950	143	194	04.19-03.23	■
220 d 4-matic (253.915) (OM 654.920)	SA 86B	Diesel	4WD	1950	143	194	04.19-06.22	■
300 d 4-matic (253.319) (OM 654.920)	SA 86B	Diesel	4WD	1950	180	245	04.19-03.23	■
300 d 4-matic (253.919) (OM 654.920)	SA 86B	Diesel	4WD	1950	180	245	04.19-06.22	■
220 d 4-matic (253.303, 253.305) (OM 651.921)	SA 86B	Diesel	4WD	2143	120	163	06.16-04.19	■
220 d 4-matic (253.905, 253.903) (OM 651.921)	elec.brake detention, SA 86B	Diesel	4WD	2143	120	163	06.15-04.19	■
220 d 4-matic (253.303, 253.305) (OM 651.921)	SA 86B	Diesel	4WD	2143	125	170	06.16-04.19	■
220 d 4-matic (253.905, 253.903) (OM 651.921)	elec.brake detention, SA 86B	Diesel	4WD	2143	125	170	06.15-04.19	■
250 d 4-matic (253.309) (OM 651.921)	SA 86B	Diesel	4WD	2143	150	204	06.16-04.19	■
250 d 4-matic (253.909) (OM 651.921)	elec.brake detention, SA 86B	Diesel	4WD	2143	150	204	06.15-04.19	■
400 d 4-matic (253.323) (OM 656.929)		Diesel	4WD	2925	243	330	08.19-03.23	■
400 d 4-matic (253.923) (OM 656.929)		Diesel	4WD	2925	243	330	08.19-06.22	■
350 d 4-matic (253.325) (OM 642.873)		Diesel	4WD	2987	190	258	10.16-04.19	■
350 d 4-matic (253.925) (OM 642.873)	elec.brake detention	Diesel	4WD	2987	190	258	10.16-04.19	■

MERCEDES-BENZ (BBDC)

GLC-Class (X253) 11.15-				SUV (Luxury Crossover SUV-J Segment)				
200		Gasolina	FWD	1991	135	184	11.15-	■
200 L 4-matic (253.143)		Gasolina	4WD	1991	135	184	01.19-	■
260 L 4-matic (253.181)		Gasolina	4WD	1991	145	197	08.19-	■
260		Gasolina	FWD	1991	155	211	11.15-	■
260 L 4-matic (253.146)		Gasolina	4WD	1991	155	211	10.18-	■
300		Gasolina	FWD	1991	180	245	11.15-	■
300 L 4-matic (253.149)		Gasolina	4WD	1991	180	245	10.18-	■
300 L 4-matic (253.184)		Gasolina	4WD	1991	190	258	08.19-	■