

# LISTA DE APLICACIONES - BUYERS GUIDE

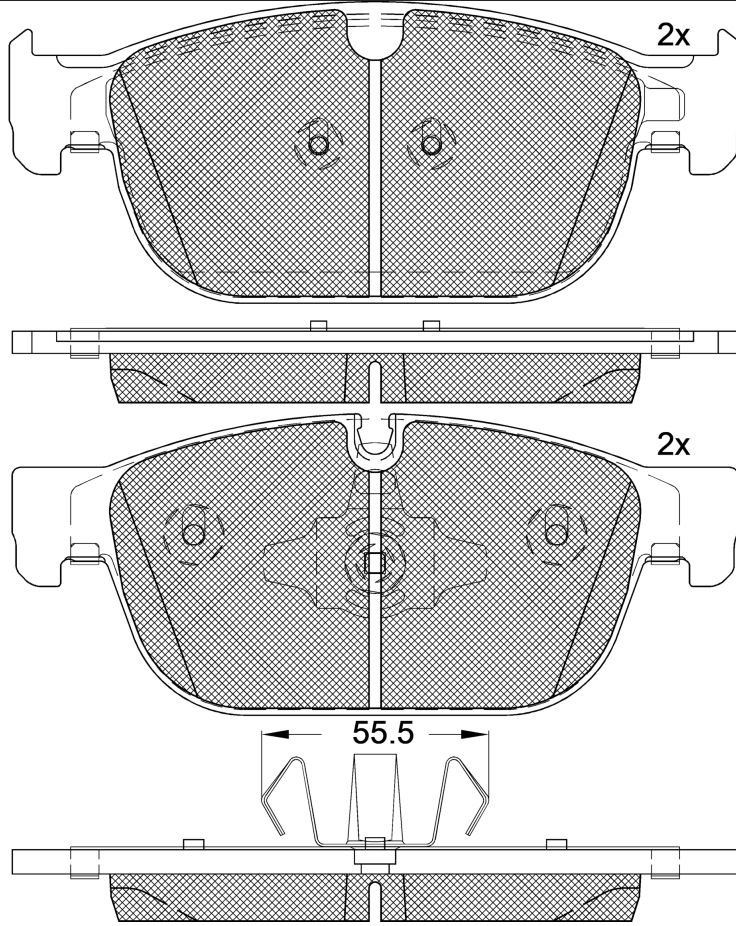
**182272**



8 424073 150295

Qty: 300

Weight: 2.810



**182272**

**E 9 90R-02A0111/4560**



Ate - Teves

180.1x74.7x18.4

181.5x74.8x18.4

O.E.M.	MAKE
3 144 597 5	VOLVO
3 144 597 6	VOLVO
3 147 672 2	VOLVO
3 147 672 3	VOLVO
3 149 990 5	VOLVO
3 149 990 6	VOLVO
3 166 528 8	VOLVO
3 237 312 5	VOLVO

WVA	FMSI
22317	D1865-9094
22318	

**MAKE**

POLESTAR
VOLVO
VOLVO ASIA



Trac.	CC	Kw	CV
-------	----	----	----



Front / Rear

## POLESTAR

POLESTAR 2 (534) 02.19-				Hatchback (Compact executive car-D Segment)			
EV		Eléctrico	FWD	165	224	04.21-12.22	■
EV		Eléctrico	FWD	170	231	04.21-	■
EV		Eléctrico	RWD	200	272	03.23-	■
EV		Eléctrico	RWD	220	299	03.23-	■
EV		Eléctrico	4WD	300	408	04.19-12.23	■
EV		Eléctrico	4WD	310	421	03.23-	■
EV		Eléctrico	4WD	350	476	01.23-	■

## VOLVO

C40 (539) 10.21-				SUV (Compact Crossover SUV-C Segment)				
Recharge		Eléctrico	FWD	170	231	04.22-12.22	■	
Recharge		Eléctrico	RWD	175	238	01.23-12.24	■	
Recharge		Eléctrico	RWD	185	252	01.23-12.24	■	
Recharge AWD		Eléctrico	4WD	300	408	10.21-12.24	■	
Recharge AWD		Eléctrico	4WD	300	408	11.22-12.24	■	
EX40 (536) 04.24-				SUV (Compact Crossover SUV-C Segment)				
EV		Eléctrico	RWD	175	238	04.24-	■	
EV		Eléctrico	RWD	185	252	04.24-	■	
EV AWD		Eléctrico	4WD	300	408	04.24-	■	
EV AWD		Eléctrico	4WD	325	442	04.24-	■	
S60 III (224) 02.19-				Saloon (Compact executive car-D Segment)				
T4 (B 4204 T31)	Rim 18, Eq.V_ RC01,RC02	Gasolina	FWD	1969	140	190	02.19-12.21	■

# LISTA DE APLICACIONES - BUYERS GUIDE

T4 (B 4204 T44)	Rim 18, Eq.V_ RC01,RC02	Gasolina	FWD	1969	140	190	02.19-12.21	■	
T4 Polestar (B 4204 T31P)	Rim 18, RC01,RC02	Gasolina	FWD	1969	155	210	07.19-12.21	■	
T5 AWD (B 4204 T20)	Rim 18, RC01,RC02	Gasolina	4WD	1969	183	249	05.19-12.21	■	
T5 (B 4204 T26)	Rim 18, Eq.V_ RC01,RC02	Gasolina	FWD	1969	184	250	02.19-12.21	■	
T5 AWD (B 4204 T26)	Rim 18, Eq.V_ RC01,RC02	Gasolina	4WD	1969	184	250	02.19-	■	
T5 Polestar (B 4204 T26P)	Rim 18, RC01,RC02	Gasolina	FWD	1969	186	253	07.19-12.21	■	
T5 Polestar AWD		Gasolina	4WD	1969	186	253	07.19-12.21	■	
T5 AWD (B 4204 T23)	Rim 18, Eq.V_ RC01,RC02	Gasolina	4WD	1969	187	254	05.19-12.21	■	
T5 AWD		Gasolina	4WD	1969	192	261	05.19-	■	
T6 AWD (B 4204 T29)	Rim 18, Eq.V_ RC01,RC02	Gasolina	4WD	1969	228	310	05.19-12.21	■	
2.0 T6 AWD		Gasolina	4WD	1969	236	321	05.19-	■	
T6 Polestar AWD		Gasolina	4WD	1969	240	326	05.19-12.21	■	
2.0 T8 Drive-E AWD		Gasolina	4WD	1969	298	405	05.19-	■	
B3 MHEV	Rim 18, RC01,RC02	Gasol./el éc.	FWD	1969	120	163	03.20-12.23	■	
B4 Mild-Hybrid (B 420 T6)	Rim 18, RC01,RC02	Gasol./el éc.	FWD	1969	145	197	03.20-	■	
B5 Mild-Hybrid AWD		Gasol./el éc.	4WD	1969	183	249	03.22-	■	
B5 Mild-Hybrid (B 420 T2)	Rim 18, RC01,RC02	Gasol./el éc.	FWD	1969	184	250	03.20-	■	
B5 Mild-Hybrid AWD (B 420 T2)	Rim 18, RC01,RC02	Gasol./el éc.	4WD	1969	184	250	03.20-	■	
B6 Mild-Hybrid AWD	Rim 18, RC01,RC02	Gasol./el éc.	4WD	1969	220	299	04.21-12.22	■	
T8 Plug-in Hybrid AWD (B 4204 T27)	Rim 18, RC01,RC02	Gasol./el éc.	4WD	1969	235	320	05.19-	■	
T8 Plug-in Hybrid AWD (B 4204 T35)	Rim 18, RC01,RC02	Gasol./el éc.	4WD	1969	235	320	05.19-	■	
T6 Twin Engine AWD (B 4204 T46)	Rim 18, Eq.V_ RC01,RC02	Gasol./el éc.	4WD	1969	250	340	02.19-12.22	■	
T6 Twin Engine AWD		Gasol./el éc.	4WD	1969	257	349	01.22-	■	
T8 Twin Engine AWD (B 4204 T34)	Rim 18, Eq.V_ RC01,RC02	Gasol./el éc.	4WD	1969	287	390	02.19-12.22	■	
T8 Twin Engine Polestar AWD (B 4204 T48)	Rim 18, Eq.V_ RC01,RC02	Gasol./el éc.	4WD	1969	298	405	02.19-	■	
T8 Plug-in Hybrid AWD (B 4204 T35)		Gasol./el éc.	4WD	1969	299	407	05.19-12.22	■	
T8 Hybrid Polestar AWD	Rim 18, Eq.V_ RC01,RC02	Gasol./el éc.	4WD	1969	310	422	05.19-12.22	■	
T8 Recharge AWD		Gasol./el éc.	4WD	1969	317	431	01.23-	■	
T8 Plug-in Hybrid AWD		Gasol./el éc.	4WD	1969	335	455	01.22-	■	
<b>S90 II (234) 01.16-</b>							<b>Saloon (Executive car-E Segment)</b>		
T4 (B 4204 T31)	Rim 18, RC01,RC02	Gasolina	FWD	1969	140	190	10.17-12.21	■	
T4 Polestar (B 4204 T31)	Rim 18, RC01,RC02	Gasolina	FWD	1969	155	210	06.19-12.21	■	
2.0 (B 4204 T20)	Rim 18, Eq.V_ RC01,RC02	Gasolina	FWD	1969	183	249	03.16-12.21	■	
T5 (B 4204 T26)	Rim 18, RC01,RC02	Gasolina	FWD	1969	184	250	10.17-12.21	■	
T5 Drive-E Polestar (B 4204 T26)	Rim 18, RC01,RC02	Gasolina	FWD	1969	186	253	10.17-12.21	■	
2.0 T5 AWD		Gasolina	4WD	1969	187	254	01.18-	■	
T5 (B 4204 T23)	Rim 18, Eq.V_ RC01,RC02	Gasolina	FWD	1969	187	254	03.16-12.21	■	
T5 Drive-E Polestar (B 4204 T23)	Rim 18, RC01,RC02	Gasolina	FWD	1969	192	261	03.16-12.21	■	
T6 AWD (B 4204 T29)	Rim 18, RC01,RC02	Gasolina	4WD	1969	228	310	10.17-12.21	■	
T6 AWD (B 4204 T27)	Rim 18, Eq.V_ RC01,RC02	Gasolina	4WD	1969	235	320	03.16-12.21	■	
T6 Drive-E Polestar AWD (B 4204 T29)	Rim 18, RC01,RC02	Gasolina	4WD	1969	240	326	10.17-12.21	■	
T6 Drive-E Polestar AWD (B 4204 T27)	Rim 18, RC01,RC02	Gasolina	4WD	1969	246	334	03.16-12.21	■	
B4 Mild-Hybrid (B 420 T6)	Rim 18, RC01,RC02	Gasol./el éc.	FWD	1969	145	197	03.20-	■	

# LISTA DE APLICACIONES - BUYERS GUIDE

B5 Mild-Hybrid		Gasol./el éc.	FWD	1969	183	249	03.22-	■
B5 Mild-Hybrid	Rim 18, RC01,RC02	Gasol./el éc.	FWD	1969	184	250	03.20-	■
B6 Mild-Hybrid AWD	RC01, Eq.V_ RC01,RC02, RC02, Rim 18	Gasol./el éc.	4WD	1969	220	299	03.20-	■
T8 Plug-in Hybrid AWD	Rim 18, RC01,RC02	Gasol./el éc.	4WD	1969	228	310	01.22-	■
T8 Hybrid Polestar AWD (B 4204 T34)	Rim 18, RC01,RC02	Gasol./el éc.	4WD	1969	233	317	01.19-	■
T8 Plug-in Hybrid AWD (B 4204 T35)	Rim 18, Eq.V_ RC01. RC02	Gasol./el éc.	4WD	1969	235	320	10.17-	■
T8 Plug-in Hybrid Polestar AWD	Rim 18, RC01,RC02	Gasol./el éc.	4WD	1969	246	334	10.17-12.22	■
T8 Hybrid AWD (B 4204 T34)	Rim 18, RC01,RC02	Gasol./el éc.	4WD	1969	287	390	04.18-12.22	■
T8 Plug-in Hybrid AWD		Gasol./el éc.	4WD	1969	299	407	10.17-12.22	■
T8 Plug-in Hybrid AWD	Rim 18, RC01,RC02	Gasol./el éc.	4WD	1969	335	455	01.22-	■
T8 Plug-in Hybrid AWD		Gasol./el éc.	4WD	1969	340	462	04.22-	■
B5 Mild Hybrid AWD	Rim 18, RC02	Diesel/el éc.	4WD	1969	173	235	12.20-	■
B5 Mild Hybrid AWD		Diesel/el éc.	4WD	1969	180	245	03.23-	■
D3 (D 4204 T16)	Rim 18, Eq.V_ RC01,RC02	Diesel	FWD	1969	110	150	03.16-12.21	■
D3 (D 4204 T9)	Rim 18, Eq.V_ RC01,RC02	Diesel	FWD	1969	110	150	03.16-12.21	■
D4 (D 4204 T7)	Rim 18, RC01,RC02	Diesel	FWD	1969	120	163	09.18-12.21	■
D4 (D 4204 T14)	Rim 18, Eq.V_ RC01,RC02	Diesel	FWD	1969	140	190	03.16-12.21	■
D4 AWD (D 4204 T14)	Rim 18, Eq.V_ RC01,RC02	Diesel	4WD	1969	140	190	03.16-12.21	■
D4 Drive-E Polestar (D 4204 T14)	Rim 18, RC01,RC02	Diesel	FWD	1969	147	200	03.16-12.21	■
D4 Drive-E Polestar AWD (D 4204 T14)	Rim 18, RC01,RC02	Diesel	4WD	1969	147	200	03.16-12.21	■
D5 AWD (D 4204 T23)	Rim 18, Eq.V_ RC01,RC02	Diesel	4WD	1969	173	235	03.16-12.21	■
D5 Polestar AWD	Rim 18, RC01,RC02	Diesel	4WD	1969	177	240	03.16-11.21	■
<b>Estate (Compact executive car-D Segment)</b>								
<b>V60 (227) 02.18-</b>								
T5 AWD		Gasolina	4WD	1969	184	250	12.18-12.21	■
B5 Mild-Hybrid AWD (B 420 T10)	RC01, Rim 18, RC02	Gasol./el éc.	4WD	1969	183	249	03.22-	■
B5 Mild-Hybrid AWD		Gasol./el éc.	4WD	1969	184	250	01.20-	■
B4 Mild-Hybrid AWD	Rim 18, RC02	Diesel/el éc.	4WD	1969	145	197	10.20-	■
D3 AWD		Diesel	4WD	1969	110	150	12.18-12.21	■
D4 AWD		Diesel	4WD	1969	140	190	12.18-12.21	■
D4 Polestar AWD		Diesel	4WD	1969	147	200	02.18-12.20	■
<b>Estate (Compact executive car-D Segment)</b>								
<b>V60 II (225) 02.18-</b>								
T4 (B 4204 T31)	Rim 18, RC01,RC02	Gasolina	FWD	1969	140	190	05.19-	■
T4 Polestar (B 4204 T31P)	Rim 18, RC01,RC02	Gasolina	FWD	1969	155	210	07.19-12.21	■
T5 (B 4204 T26)	Rim 18, RC01,RC02	Gasolina	FWD	1969	184	250	02.18-12.21	■
T5 AWD (B 4204 T26)	Rim 18, RC01,RC02	Gasolina	4WD	1969	184	250	09.18-12.21	■
T5 Polestar (B 4204 T11)	Rim 18, RC01,RC02	Gasolina	FWD	1969	186	253	07.19-12.21	■
T5 Polestar (B 4204 T26P)	Rim 18, RC01,RC02	Gasolina	FWD	1969	186	253	07.19-12.21	■
T5 Polestar AWD (B 4204 T11)	Rim 18, RC01,RC02	Gasolina	4WD	1969	186	253	07.19-	■
T5 Polestar AWD (B 4204 T26P)	Rim 18, RC01,RC02	Gasolina	4WD	1969	186	253	07.19-	■
T5		Gasolina	FWD	1969	187	254	08.19-	■
T5 AWD		Gasolina	4WD	1969	192	261	05.19-	■
T6 AWD	Europe, Rim 18, RC01,RC02	Gasolina	4WD	1969	228	310	02.18-12.21	■
T6 Drive-E Polestar AWD (B 4204 T29)	Rim 18, RC01,RC02	Gasolina	4WD	1969	240	326	02.18-12.21	■

# LISTA DE APLICACIONES - BUYERS GUIDE

B3 Mild-Hybrid (B 420 T3)	Rim 18, RC01,RC02	Gasol./el éc.	FWD	1969	120	163	03.20-	■	
B4 Mild Hybrid (B 420 T6)	Rim 18, RC01,RC02	Gasol./el éc.	FWD	1969	145	197	03.20-	■	
B4 Mild-Hybrid AWD	Rim 18, RC01,RC02	Gasol./el éc.	4WD	1969	145	197	03.20-	■	
B5 Mild Hybrid (B 420 T2)	Rim 18, RC01,RC02	Gasol./el éc.	FWD	1969	184	250	03.20-	■	
B5 Mild-Hybrid AWD (B 420 T2)	Rim 18, RC01,RC02	Gasol./el éc.	4WD	1969	184	250	03.20-	■	
B6 Mild-Hybrid AWD (B 420 T)	Rim 18, RC01,RC02	Gasol./el éc.	4WD	1969	220	299	03.20-	■	
T8 Plug-in Hybrid AWD	RC01, Rim 18, RC02	Gasol./el éc.	4WD	1969	228	310	03.22-	■	
T8 Plug-in Hybrid Polestar AWD		Gasol./el éc.	4WD	1969	246	334	05.19-	■	
T6 Plug-in Hybrid AWD (B 4204 T46)	Rim 18, RC01,RC02	Gasol./el éc.	4WD	1969	250	340	03.19-12.22	■	
T8 Plug-in Hybrid AWD (B 4204 T34)	Rim 18, RC01,RC02	Gasol./el éc.	4WD	1969	287	390	02.18-12.22	■	
T8 Plug-in Hybrid Polestar AWD (B 4204 T48)	Rim 18, RC01,RC02	Gasol./el éc.	4WD	1969	298	405	05.19-12.22	■	
T8 Plug-in Hybrid AWD	RC01, Rim 18, RC02	Gasol./el éc.	4WD	1969	335	455	05.22-	■	
B4 Mild-Hybrid	Rim 18, RC01,RC02	Diesel/el éc.	FWD	1969	145	197	03.20-	■	
D3	Rim 18, RC01,RC02	Diesel	FWD	1969	110	150	02.18-12.21	■	
D3 AWD (D 4204 T4)	Rim 18, RC01,RC02	Diesel	4WD	1969	110	150	09.18-12.21	■	
D4 (D 4204 T14)	Rim 18, RC01,RC02	Diesel	FWD	1969	140	190	02.18-12.21	■	
D4 AWD (D 4204 T14)	Rim 18, RC01,RC02	Diesel	4WD	1969	140	190	09.18-12.21	■	
D4 Polestar (D 4204 T14)	Rim 18, RC01,RC02	Diesel	FWD	1969	147	200	02.18-12.21	■	
D4 Polestar		Diesel	FWD	1969	147	200	02.18-	■	
D4 Polestar AWD (D 4204 T14)	Rim 18, RC01,RC02	Diesel	4WD	1969	147	200	02.18-12.21	■	
<b>V90 (236) 03.16-</b>							<b>Estate (Executive car-E Segment)</b>		
T5 AWD (B 4204 T23)	Rim 18, RC01	Gasolina	4WD	1969	183	249	03.16-12.21	■	
T5 AWD (B 4204 T26)	Rim 18, RC01,RC02	Gasolina	4WD	1969	184	250	10.17-	■	
T5 Polestar AWD (B 4204 T26)	Rim 18, RC01,RC02	Gasolina	4WD	1969	186	253	10.17-	■	
T5 AWD (B 4204 T23)	Rim 18, RC01,RC02	Gasolina	4WD	1969	187	254	10.16-12.18	■	
T5 Drive-E Polestar AWD		Gasolina	4WD	1969	192	261	10.16-12.18	■	
T6 AWD		Gasolina	4WD	1969	228	310	10.17-	■	
T6 AWD		Gasolina	4WD	1969	235	320	10.16-	■	
T6 Polestar AWD		Gasolina	4WD	1969	240	326	10.17-	■	
T6 Polestar AWD (B 4204 T27)	Rim 18, RC01,RC02	Gasolina	4WD	1969	246	334	10.16-12.17	■	
B5 Mild-Hybrid		Gasol./el éc.	4WD	1969	183	249	03.22-	■	
B5 Mild Hybrid AWD (B 420 T2)	Rim 18, RC01,RC02	Gasol./el éc.	4WD	1969	184	250	03.20-	■	
B6 Mild-Hybrid AWD		Gasol./el éc.	4WD	1969	220	299	03.20-	■	
B4 Mild-Hybrid AWD		Diesel/el éc.	4WD	1969	145	197	10.20-	■	
B5 Mild Hybrid AWD		Diesel/el éc.	4WD	1969	173	235	12.20-	■	
B5 Mild Hybrid Polestar AWD		Diesel/el éc.	4WD	1969	180	245	11.21-	■	
D4 AWD (D 4204 T7)	Rim 18, RC01,RC02	Diesel	4WD	1969	120	163	09.18-	■	
D4 AWD		Diesel	4WD	1969	140	190	10.16-	■	
Polestar AWD		Diesel	4WD	1969	147	200	10.16-	■	
D5 AWD		Diesel	4WD	1969	173	235	10.16-	■	
D5 Polestar AWD		Diesel	4WD	1969	176	239	10.16-	■	

# LISTA DE APLICACIONES - BUYERS GUIDE

<b>V90 II (235) 03.16-</b>						<b>Estate (Executive car-E Segment)</b>			
T4 (B 4204 T31)	Rim 18, RC01,RC02	Gasolina	FWD	1969	140	190	10.17-12.21	■	
T4 Polestar (B 4204 T31P)	Rim 18, RC01,RC02	Gasolina	FWD	1969	154	209	10.17-	■	
T4 Polestar (B 4204 T31)	Rim 18, RC01,RC02	Gasolina	FWD	1969	155	210	06.19-12.21	■	
T5 (B 4204 T23)	Rim 18, RC01,RC02	Gasolina	FWD	1969	184	250	10.17-12.21	■	
T5 (B 4204 T26)	Rim 18, RC01,RC02	Gasolina	FWD	1969	184	250	10.17-12.21	■	
T5 Polestar (B 4204 T26)	Rim 18, RC01,RC02	Gasolina	FWD	1969	186	253	10.17-03.20	■	
T5 (B 4204 T23)	Rim 18, Eq.V_ RC01, RC02	Gasolina	FWD	1969	187	254	03.16-12.18	■	
T5 Drive-E Polestar AWD		Gasolina	4WD	1969	192	261	03.16-	■	
T6 AWD (B 4204 T29)	Rim 18, RC01,RC02	Gasolina	4WD	1969	228	310	10.17-12.21	■	
T6 AWD (B 4204 T27)	Rim 18, Eq.V_ RC01,RC02	Gasolina	4WD	1969	235	320	03.16-12.18	■	
T6 Polestar AWD (B 4204 T29)	Rim 18, RC01,RC02	Gasolina	4WD	1969	240	326	10.17-12.21	■	
B4 Mild-Hybrid	Rim 18, RC01,RC02	Gasol./el éc.	FWD	1969	145	197	03.20-	■	
B5 Mild-Hybrid	Rim 18, RC01,RC02	Gasol./el éc.	FWD	1969	184	250	03.20-	■	
T6 Plug-in Hybrid AWD	Rim 18, RC02	Gasol./el éc.	4WD	1969	186	253	04.21-	■	
B5 Mild-Hybrid		Gasol./el éc.	FWD	1969	196	266	03.20-	■	
B6 Mild-Hybrid AWD (B 420 T)	Rim 18, RC01,RC02	Gasol./el éc.	4WD	1969	220	299	03.20-	■	
T8 Plug-in Hybrid AWD	Rim 18, RC01,RC02	Gasol./el éc.	4WD	1969	228	310	03.22-	■	
T8 Plug-in Hybrid Polestar AWD (B 4204 T34)	Rim 18, RC01,RC02	Gasol./el éc.	4WD	1969	233	317	05.18-12.22	■	
T8 Plug-in Hybrid Polestar AWD (B 4204 T35)	Rim 18, RC01,RC02	Gasol./el éc.	4WD	1969	246	334	03.16-12.18	■	
T6 Plug-in-Hybrid AWD (B 4204 T46)	Rim 18, RC01,RC02	Gasol./el éc.	4WD	1969	250	340	06.20-12.22	■	
B6 Mild-Hybrid AWD (B 420 T)	Rim 18, RC01,RC02	Gasol./el éc.	4WD	1969	256	348	03.20-	■	
T6 Plug-in-Hybrid AWD		Gasol./el éc.	4WD	1969	257	349	01.22-	■	
T8 Hybrid AWD (B 4204 T34)	Rim 18, RC01,RC02	Gasol./el éc.	4WD	1969	287	390	04.18-12.22	■	
T8 Plug-in-Hybrid AWD (B 4204 T34)	Rim 18, RC01,RC02	Gasol./el éc.	4WD	1969	287	390	06.20-	■	
T8 Plug-in-Hybrid AWD (B 4204 T35)	Rim 18, Eq.V_ RC01, RC02	Gasol./el éc.	4WD	1969	299	407	03.16-12.18	■	
T8 Recharge AWD		Gasol./el éc.	4WD	1969	317	431	01.23-	■	
T8 Plug-in Hybrid AWD	Rim 18, RC01,RC02	Gasol./el éc.	4WD	1969	335	455	05.22-	■	
B4 Mild-Hybrid		Diesel/el éc.	FWD	1969	145	197	10.20-	■	
B4 Mild-Hybrid AWD	Rim 18, RC02	Diesel/el éc.	4WD	1969	145	197	10.20-	■	
B5 Mild Hybrid AWD	Rim 18, RC02	Diesel/el éc.	4WD	1969	173	235	12.20-	■	
B5 Mild Hybrid Polestar AWD		Diesel/el éc.	4WD	1969	180	245	11.21-	■	
D3 (D 4204 T16)	Rim 18, RC01,RC02	Diesel	FWD	1969	110	150	03.16-12.21	■	
D3 (D 4204 T9)	Rim 18, RC01,RC02	Diesel	FWD	1969	110	150	03.16-12.21	■	
D3 AWD (D 4204 T4)	Rim 18, RC01,RC02	Diesel	4WD	1969	110	150	03.16-12.21	■	
D4 (D 4204 T7)	Rim 18, RC01,RC02	Diesel	FWD	1969	120	163	09.18-12.21	■	
D4 (D 4204 T14)	Rim 18, Eq.V_ RC01,RC02	Diesel	FWD	1969	140	190	03.16-12.21	■	
D4 AWD (D 4204 T14)	Rim 18, RC01,RC02	Diesel	4WD	1969	140	190	03.16-12.21	■	
D4 Polestar	Rim 18, RC01,RC02	Diesel	FWD	1969	147	200	10.16-12.21	■	
Polestar AWD (D 4204 T14)	Rim 18, RC01,RC02	Diesel	4WD	1969	147	200	10.16-12.21	■	
D5 AWD (D 4204 T23)	Rim 18, Eq.V_ RC01,RC02	Diesel	4WD	1969	173	235	03.16-12.21	■	
D5 Polestar AWD (D 4204 T23)	Rim 18, RC01,RC02	Diesel	4WD	1969	176	239	10.16-12.21	■	

# LISTA DE APLICACIONES - BUYERS GUIDE

<b>XC40 (536) 10.17-</b>						<b>SUV (Compact SUV-J Segment)</b>			
T2 (B 3154 T9)	Rim 18, RC01,RC02	Gasolina	FWD	1477	95	129	06.19-	■	
T3	Rim 18, Eq.V_ RC01,RC02	Gasolina	FWD	1477	110	150	12.20-12.22	■	
T3 (B 3154 T)	Rim 18, Eq.V_ RC01,RC02	Gasolina	FWD	1477	115	156	03.18-03.19	■	
T3 (B 3154 T2)	Rim 18, Eq.V_ RC01,RC02	Gasolina	FWD	1477	120	163	03.19-12.22	■	
T3 (B 3154 T7)	Rim 18, Eq.V_ RC01,RC02	Gasolina	FWD	1477	120	163	03.19-12.22	■	
T4 (B 4204 T47)	Rim 18, Eq.V_ RC01,RC02	Gasolina	FWD	1969	140	190	09.18-12.21	■	
T4 AWD (B 4204 T47)	Rim 18, Eq.V_ RC01,RC02	Gasolina	4WD	1969	140	190	09.18-	■	
T5 AWD (B 4204 T14)	Rim 18, Eq.V_ RC01,RC02	Gasolina	4WD	1969	182	247	10.17-09.21	■	
T5 AWD (B 4204 T14)	Rim 18, RC01,RC02	Gasolina	4WD	1969	183	249	10.17-12.22	■	
T5 AWD (B 4204 T18)	Rim 18, RC01,RC02	Gasolina	4WD	1969	183	249	10.17-12.22	■	
T5 Polestar AWD (B 4204 T20)	Rim 18, RC01,RC02	Gasolina	4WD	1969	183	249	10.17-09.19	■	
T5 AWD (B 4204 T14)		Gasolina	4WD	1969	185	252	01.18-12.22	■	
T5 AWD (B 4204 T18)		Gasolina	4WD	1969	185	252	01.18-12.22	■	
T5 Plug-in Hybrid Polestar Performance	Rim 18, RC01,RC02	Gasol./el éc.	FWD	1477	143	194	06.19-	■	
T4 Plug-in Hybrid (B 3154 T10)	RC01,RC02, Rim 18	Gasol./el éc.	FWD	1477	155	211	06.20-	■	
T5 Plug-in Hybrid (B 3154 T5)	Rim 18, RC01,RC02	Gasol./el éc.	FWD	1477	193	262	06.19-	■	
B4 Mild-Hybrid (B 420 T6)	Rim 18, RC01,RC02	Gasol./el éc.	FWD	1969	145	197	09.19-	■	
B4 Mild-Hybrid AWD (B 420 T6)	Rim 18, RC01,RC02	Gasol./el éc.	4WD	1969	145	197	09.19-	■	
B5 Mild-Hybrid AWD (B 420 T10)	Rim 18, RC01,RC02	Gasol./el éc.	4WD	1969	183	249	03.22-12.23	■	
B5 Mild-Hybrid AWD (B 420 T2)	Rim 18, RC01,RC02	Gasol./el éc.	4WD	1969	184	250	09.19-12.23	■	
Recharge		Eléctrico	FWD		170	231	02.22-12.22	■	
Recharge		Eléctrico	RWD		175	238	01.23-	■	
Recharge		Eléctrico	RWD		185	252	01.23-	■	
Recharge AWD		Eléctrico	4WD		300	408	11.20-	■	
Recharge AWD		Eléctrico	4WD		300	408	11.20-	■	
D3 (D 4204 T16)	Rim 18, Eq.V_ RC01,RC02	Diesel	FWD	1969	110	150	09.18-09.21	■	
D3 AWD (D 4204 T16)	Rim 18, RC01,RC02	Diesel	4WD	1969	110	150	09.18-09.21	■	
D3 Polestar		Diesel	FWD	1969	118	160	12.19-12.21	■	
D3 Polestar AWD		Diesel	4WD	1969	118	160	12.19-12.21	■	
D4 AWD (D 4204 T12)	Rim 18, Eq.V_ RC01,RC02	Diesel	4WD	1969	140	190	10.17-09.21	■	
D4 Polestar		Diesel	FWD	1969	147	200	01.19-	■	
D4 Polestar AWD (D 4204 T12)	Rim 18, RC01,RC02	Diesel	4WD	1969	147	200	01.19-09.21	■	
<b>XC60 II (246) 03.17-</b>						<b>SUV (Compact SUV-J Segment)</b>			
T4 (B 4204 T31)	Rim 18, Rim 19, RC01,RC02	Gasolina	FWD	1969	140	190	09.18-12.21	■	
T4 Polestar (B 4204 T31P)	Rim 18, Rim 19, RC01,RC02	Gasolina	FWD	1969	155	210	07.19-12.21	■	
T5 AWD (B 4204 T20)	Rim 18, Rim 19, RC01,RC02	Gasolina	4WD	1969	183	249	10.17-12.21	■	
T5 (B 4204 T26)	Rim 18, Rim 19, RC01,RC02	Gasolina	FWD	1969	184	250	10.17-12.20	■	
T5 AWD (B 4204 T26)	Rim 18, Rim 19, RC01,RC02	Gasolina	4WD	1969	184	250	10.17-12.20	■	
T5 Polestar (B 4204 T26P)	Rim 18, Rim 19, RC01,RC02	Gasolina	FWD	1969	186	253	05.19-12.20	■	
T5 Polestar AWD (B 4204 T26P)	Rim 18, Rim 19, RC01,RC02	Gasolina	4WD	1969	186	253	05.19-12.20	■	
T5 (B 4204 T23)	Rim 18, Rim 19, RC01,RC02, - ch 135577	Gasolina	FWD	1969	187	254	03.17-	■	
T5 AWD (B 4204 T23)	01/18-, Rim 18, Rim 19, Eq.V_ RC01,RC02	Gasolina	4WD	1969	187	254	03.17-12.21	■	
T5 Polestar AWD (B 4204 T23)	Rim 18, Rim 19, RC01,RC02	Gasolina	4WD	1969	192	261	03.17-12.18	■	
T6 AWD (B 4204 T29)	Rim 18, Rim 19, RC01,RC02	Gasolina	4WD	1969	228	310	10.17-12.21	■	
T6 AWD (B 4204 T27)	01/18-, Rim 18, Rim 19, Eq.V_ RC01,RC02	Gasolina	4WD	1969	235	320	03.17-12.21	■	

# LISTA DE APLICACIONES - BUYERS GUIDE

T6 Polestar AWD (B 4204 T29P)	Rim 18, Rim 19, RC01,RC02	Gasolina	4WD	1969	240	326	12.18-08.19	■
T6 Polestar AWD (B 4204 T27)	Rim 18, Rim 19, RC01,RC02	Gasolina	4WD	1969	246	334	03.17-12.21	■
2.0 T8 Drive-E AWD		Gasolina	4WD	1969	298	405	05.19-	■
B4 Mild-Hybrid (B 420 T6)	Rim 18, Rim 19, RC01,RC02	Gasol./el éc.	FWD	1969	145	197	09.19-	■
2.0 B5 Mild-Hybrid (B 420 T10)	RC01, Rim 18, Rim 19, RC02	Gasol./el éc.	FWD	1969	183	249	03.22-	■
2.0 B5 Mild-Hybrid AWD (B 420 T10)	RC01, Rim 18, Rim 19, RC02	Gasol./el éc.	4WD	1969	183	249	03.22-	■
B5 Mild-Hybrid (B 420 T2)	Rim 18, Rim 19, RC01,RC02	Gasol./el éc.	FWD	1969	184	250	01.20-	■
B5 Mild-Hybrid AWD (B 420 T2)	Rim 18, Rim 19, RC01,RC02	Gasol./el éc.	4WD	1969	184	250	01.20-	■
B4 Plug-In Hybrid AWD	RC01 , Rim 18, Rim 19, RC02	Gasol./el éc.	4WD	1969	186	253	01.21-	■
B6 Mild-Hybrid AWD (B 420 T)	Rim 18, Rim 19, RC01,RC02	Gasol./el éc.	4WD	1969	220	299	03.20-	■
T8 Hybrid AWD (B 4204 T35)	Rim 18, Rim 19, RC01,RC02	Gasol./el éc.	4WD	1969	246	334	03.17-12.22	■
T8 Hybrid Polestar AWD	Rim 19, RC01	Gasol./el éc.	4WD	1969	246	334	05.21-12.22	■
B4 Plug-In Hybrid	Rim 19, Rim 18, RC02	Gasol./el éc.	FWD	1969	250	340	01.21-12.22	■
B4 Plug-In Hybrid AWD	RC01, Rim 18, Rim 19, RC02	Gasol./el éc.	4WD	1969	250	340	01.21-12.22	■
T6 Plug-in Hybrid AWD	RC01, Rim 18, Rim 19, RC02	Gasol./el éc.	4WD	1969	250	340	04.21-	■
T6 Plug-in Hybrid AWD		Gasol./el éc.	4WD	1969	257	349	01.22-	■
T8 Hybrid AWD (B 4204 T34)	Rim 18, Rim 19, Eq.V_ RC01,RC02	Gasol./el éc.	4WD	1969	287	390	02.18-12.22	■
T6 Plug-in Hybrid AWD		Gasol./el éc.	4WD	1969	293	398	04.22-	■
T8 Hybrid AWD	Rim 19, RC01	Gasol./el éc.	4WD	1969	298	405	09.17-12.22	■
T8 Hybrid Polestar AWD (B 4204 T34)	Rim 18, Rim 19, RC01,RC02	Gasol./el éc.	4WD	1969	298	405	01.19-12.22	■
T8 Hybrid Polestar AWD (B 4204 T48)	Rim 18, Rim 19, RC01,RC02	Gasol./el éc.	4WD	1969	298	405	01.19-12.22	■
T8 Hybrid AWD (B 4204 T35)	01/18-, Rim 18, Rim 19, Eq.V_ RC01,RC02	Gasol./el éc.	4WD	1969	299	407	03.17-12.22	■
T8 Hybrid AWD	RC01 , Rim 18, Rim 19, RC02	Gasol./el éc.	4WD	1969	335	456	01.22-	■
B4 Mild-Hybrid	Rim 18, Rim 19, RC01,RC02	Diesel/el éc.	FWD	1969	145	197	05.19-	■
B4 Mild-Hybrid AWD	Rim 18, Rim 19, RC01,RC02	Diesel/el éc.	4WD	1969	145	197	04.19-	■
B5 Mild-Hybrid AWD (D 420 T2)	Rim 18, Rim 19, RC01,RC02	Diesel/el éc.	4WD	1969	173	235	04.19-	■
B5 Mild-Hybrid Polestar AWD		Diesel/el éc.	4WD	1969	180	245	01.21-	■
D3 (D 4204 T4)	01/18-, Rim 18, Eq.V_ RC01,RC02, Rim 19	Diesel	FWD	1969	110	150	03.17-12.21	■
D4 (D 4204 T7)	Rim 18, Rim 19, RC01,RC02	Diesel	FWD	1969	120	163	12.18-12.21	■
D4 (D 4204 T14)	01/18-, Rim 18, Eq.V_ RC01,RC02, Rim 19	Diesel	FWD	1969	140	190	03.17-12.21	■
D4 AWD (D 4204 T14)	01/18-, Rim 18, Eq.V_ RC01,RC02, Rim 19	Diesel	4WD	1969	140	190	03.17-12.21	■
D4 Polestar (D 4204 T14)	Rim 18, Rim 19, RC01,RC02	Diesel	FWD	1969	147	200	12.18-06.20	■
D4 Polestar AWD (D 4204 T14)	Rim 18, Rim 19, RC01,RC02	Diesel	4WD	1969	147	200	01.19-12.21	■
D5 AWD (D 4204 T23)	01/18-, Rim 18, Rim 19, Eq.V_ RC01,RC02	Diesel	4WD	1969	173	235	03.17-12.22	■
D5 Polestar AWD (D 4204 T23)	Rim 18, Rim 19, RC01,RC02	Diesel	4WD	1969	177	240	10.18-03.20	■
<b>XC90 II (256) 09.14-</b>								<b>SUV (Luxury Crossover SUV-J Segment)</b>
T5 Drive-E Polestar AWD (B 4204 T26)	Rim 19, RC01, RC02, ch- 85193, -ch 135577, Rim 18	Gasolina	4WD	1969	176	239	10.17-12.20	■

# LISTA DE APLICACIONES - BUYERS GUIDE

T5 AWD (B 4204 T23)	Rim 18, Rim 19, Eq.V_ RC01,RC02, ch- 85193, -ch 135577	Gasolina	4WD	1969	183	249	02.16-12.18	■
T5 AWD (B 4204 T26)	Rim 19, RC01, RC02, ch- 85193, -ch 135577, Rim 18	Gasolina	4WD	1969	184	250	10.17-12.20	■
T5 Polestar AWD (B 4204 T26P)	Rim 19, RC01, RC02, ch- 85193, -ch 135577, Rim 18	Gasolina	4WD	1969	186	253	07.19-12.20	■
T5		Gasolina	FWD	1969	187	254	01.16-12.16	■
T5 AWD (B 4204 T23)	Rim 18, Rim 19, Eq.V_ RC01,RC02, ch- 85193, -ch 135577	Gasolina	4WD	1969	187	254	06.15-12.21	■
T5 Drive-E Polestar AWD (B 4204 T23)	Rim 19, RC01, RC02, ch- 85193, -ch 135577, Rim 18	Gasolina	4WD	1969	192	261	01.17-12.21	■
T6 AWD (B 4204 T29)	Rim 19, RC01, RC02, ch- 85193, -ch 135577, Rim 18	Gasolina	4WD	1969	228	310	10.17-12.21	■
T6 AWD (B 4204 T27)	Rim 18, Rim 19, Eq.V_ RC01,RC02, ch- 85193, -ch 135577	Gasolina	4WD	1969	235	320	09.14-12.18	■
T6 Polestar AWD (B 4204 T29P)	Rim 19, RC01, RC02, ch- 85193, -ch 135577, Rim 18	Gasolina	4WD	1969	240	326	10.17-12.21	■
T6 Polestar AWD (B 4204 T27)	Rim 19, RC01, RC02, ch- 85193, -ch 135577, Rim 18	Gasolina	4WD	1969	246	334	01.17-12.21	■
B5 Mild-Hybrid	Rim 19, Rim 18	Gasol./el éc.	FWD	1969	183	249	03.22-	■
B5 Mild-Hybrid	Rim 18	Gasol./el éc.	FWD	1969	183	249	03.22-	■
B5 Mild-Hybrid AWD	Rim 19, Rim 18	Gasol./el éc.	4WD	1969	183	249	03.22-	■
B5 Mild-Hybrid AWD	Rim 18	Gasol./el éc.	4WD	1969	183	249	03.22-	■
B5 Mild-Hybrid		Gasol./el éc.	FWD	1969	184	250	01.22-	■
B5 Mild Hybrid AWD (B 4204 T26)	Rim 19, RC01,RC02, ch- 85193, -ch 135577	Gasol./el éc.	4WD	1969	184	250	01.20-	■
B6 Mild Hybrid AWD (B 420 T)	RC01,RC02	Gasol./el éc.	4WD	1969	220	299	03.20-	■
2.0 T8 Hybrid AWD (B 4204 T34)	Rim 19, RC01, RC02, ch- 85193, -ch 135577, Rim 18	Gasol./el éc.	4WD	1969	223	303	04.18-	■
T8 Plug-in Hybrid AWD	Rim 19, Rim 18	Gasol./el éc.	4WD	1969	228	310	03.22-	■
T8 Hybrid Polestar AWD (B 4204 T34)	Rim 19, RC01, RC02, ch- 85193, -ch 135577, Rim 18	Gasol./el éc.	4WD	1969	233	317	01.19-12.22	■
T8 Plug-in Hybrid Polestar AWD (B 4204 T35)	Rim 19, RC01, RC02, ch- 85193, -ch 135577, Rim 18	Gasol./el éc.	4WD	1969	246	334	06.15-12.22	■
T8 Twin Engine AWD	Rim 18, RC01	Gasol./el éc.	4WD	1969	287	390	11.18-12.22	■
T8 Hybrid AWD (B 4204 T35)	Rim 18, Rim 19, Eq.V_ RC01,RC02, ch- 85193, -ch 135577	Gasol./el éc.	4WD	1969	298	405	06.15-12.22	■
T8 Hybrid AWD (B 4204 T28)	Rim 18, Rim 19, Eq.V_ RC01,RC02, ch- 85193, -ch 135577	Gasol./el éc.	4WD	1969	299	407	06.15-07.22	■
T8 Hybrid AWD (B 4204 T35)	Rim 18, Rim 19, Eq.V_ RC01,RC02, ch- 85193, -ch 135577	Gasol./el éc.	4WD	1969	299	407	06.15-07.22	■
T8 Hybrid AWD (B1APHEV)	Rim 18, Rim 19, Eq.V_ RC01,RC02, ch- 85193, -ch 135577	Gasol./el éc.	4WD	1969	299	407	06.15-07.22	■
T8 Hybrid Polestar AWD		Gasol./el éc.	4WD	1969	310	421	02.20-12.22	■
T8 Plug-in Hybrid AWD	Rim 18	Gasol./el éc.	4WD	1969	335	455	05.22-	■
B5 Mild-Hybrid AWD (D 420 T2)	RC01,RC02, Rim 18, RC02	Diesel/el éc.	4WD	1969	173	235	04.19-	■
B5 Mild-Hybrid Polestar AWD		Diesel/el éc.	4WD	1969	180	245	01.21-	■
D4 (D 4204 T14)	Rim 18, Rim 19, Eq.V_ RC01,RC02, ch- 85193, -ch 135577	Diesel	FWD	1969	140	190	06.15-12.18	■
D4 AWD (D 4204 T6)	Rim 18, Rim 19, Eq.V_ RC01,RC02, ch- 85193, -ch 135577	Diesel	4WD	1969	140	190	10.15-12.18	■

# LISTA DE APLICACIONES - BUYERS GUIDE

D5 AWD (D 4204 T11)	Rim 18, Rim 19, Eq.V_ RC01,RC02, ch- 85193, -ch 135577	Diesel	4WD	1969	165	224	09.14-12.16	■	
D5 AWD (D 4204 T23)	Rim 18, Rim 19, Eq.V_ RC01,RC02, ch- 85193, -ch 135577	Diesel	4WD	1969	173	235	03.16-12.19	■	
D5 DRIVe Polestar AWD (D 4204 T23)	Rim 19, RC01, RC02, ch- 85193, -ch 135577, Rim 18	Diesel	4WD	1969	176	239	03.16-12.21	■	
D5 Polestar AWD (D 4204 T23)	Rim 19, RC01, RC02, ch- 85193, -ch 135577, Rim 18	Diesel	4WD	1969	177	240	10.18-12.21	■	
<b>VOLVO ASIA</b>									
<b>S60 12.19-</b>						<b>Saloon (Compact executive car-D Segment)</b>			
T3	Rim 18, RC01,RC02	Gasolina	FWD	1969	120	163	12.19-	■	
T4	Rim 18, Eq.V_ RC01,RC02	Gasolina	FWD	1969	140	190	12.19-	■	
T5	Rim 18, RC01,RC02	Gasolina	FWD	1969	184	250	12.19-	■	
T8 PHEV AWD	Rim 18, Eq.V_ RC01,RC02	Gasol./el éc.	4WD	1969	223	303	12.19-	■	
T8 PHEV AWD	Rim 18, RC01,RC02	Gasol./el éc.	4WD	1969	288	392	12.19-	■	
<b>S90 12.16-</b>						<b>Saloon ()</b>			
2.0 T4	discØ 345	Gasolina	FWD	1969	140	190	12.16-12.20	■	
2.0 T5	discØ 345	Gasolina	FWD	1969	187	254	12.16-12.20	■	
2.0 T8 Plug-in-Hybrid AWD	Rim 18, RC01,RC02	Gasol./el éc.	4WD	1969	235	320	06.18-	■	
T8 Plug-in-Hybrid AWD	Rim 18, RC01	Gasol./el éc.	4WD	1969	300	408	06.18-	■	
<b>XC40 05.19-</b>						<b>SUV (Compact SUV-J Segment)</b>			
T3	Rim 18, Eq.V_ RC01,RC02	Gasolina	FWD	1477	120	163	05.19-	■	
T4 AWD	Rim 18, Eq.V_ RC01,RC02	Gasolina	4WD	1969	140	190	05.19-	■	
T5 AWD	Rim 18, Eq.V_ RC01,RC02	Gasolina	4WD	1969	185	252	05.19-	■	
<b>XC60 II 12.17-</b>						<b>SUV (Compact SUV-J Segment)</b>			
2.0 T4	Rim 18, RC01,RC02	Gasolina	FWD	1696	140	190	12.17-	■	
2.0 T5 AWD	Rim 18, RC01,RC02	Gasolina	4WD	1969	187	254	12.17-	■	
2.0 T8 Plug-in Hybrid A las 4 ruedas	Rim 18, RC01,RC02	Gasol./el éc.	4WD	1969	235	320	06.18-	■	