

LISTA DE APLICACIONES - BUYERS GUIDE

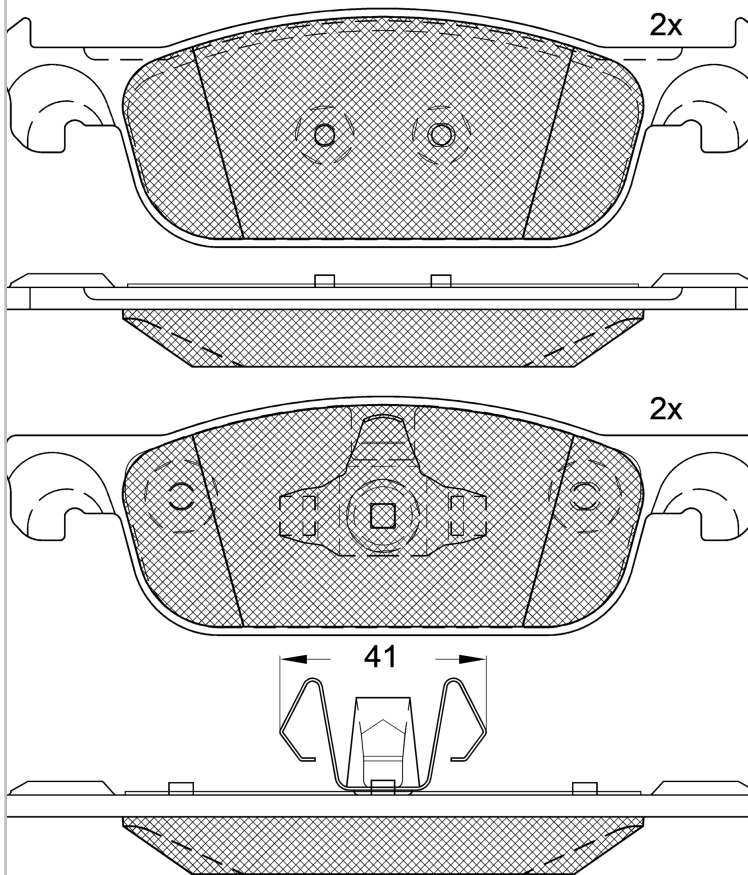
182274



Qty: 300

Weight: 1.370

O.E.M.	MAKE
41 06 046 82R	DACIA
41 06 055 36R	DACIA



182274

E 9 90R-02A0111/4643



Ate - Teves

155.1x49.1x17

WVA	FMSI
22525	D2315-9551
22526	
MAKE	
DACIA	
LADA	
RENAULT	



Trac.	CC	Kw	CV
-------	----	----	----



Front / Rear

DACIA

LOGAN II (L52) 10.12-

Saloon (Compact car-C Segment)

TCe 90 (L8MA, L8M1, L8AC) (H4B 400)	04/15-, ENPA01, ENPE01, ENPB01, SAN713, CTCRO	Gasolina	FWD	898	66	90	10.12-	■
TCe 90 (L8MA, L8M1, L8AC) (H4B 408)	04/15-, ENPA01, ENPE01, ENPB01, SAN713, CTCRO	Gasolina	FWD	898	66	90	10.12-	■
1.0 SCe 75 (B4D 400)		Gasolina	FWD	998	54	73	01.17-	■
1.0 SCe 75 (B4D 401)		Gasolina	FWD	998	54	73	01.17-	■
1.2	ENPB01, CTCRO	Gasolina	FWD	1149	54	73	05.15-	■
1.2 (D4F 732)	ENPB01, CTCRO	Gasolina	FWD	1149	55	75	10.12-	■
1.6 (K7M 812)	ENPB01, CTCRO	Gasolina	FWD	1598	63	86	06.13-08.16	■
1.6 16V	Eq.V_ ENPE01	Gasolina	FWD	1598	75	102	04.15-	■
1.6 16V (K4M 842)	Eq.V_ ENPE01, 04/15-, ENPB01, ENPA01, SAN713, CTCRO	Gasolina	FWD	1598	77	105	01.13-	■
TCe 90 LPG (H4B 405)	ENPA01, ENPB01, ENPE01, CTCRO, SAN713, 06/16-	Gasol./G as (LPG)	FWD	898	66	90	09.15-	■
TCe 90 LPG (H4B 410)	ENPA01, ENPB01, ENPE01, CTCRO, SAN713, 06/16-	Gasol./G as (LPG)	FWD	898	66	90	09.15-	■
1.2 LPG (D4F 734)	ENPB01, CTCRO, 04/15-	Gasol./G as (LPG)	FWD	1149	53	72	02.13-	■
1.2 LPG (D4F 734)	ENPB01, CTCRO, 04/15-	Gasol./G as (LPG)	FWD	1149	55	75	10.12-	■
1.5 dCi / Blue dCi 75 (K9K 612)	04/15-, ENPA01, ENPB01, ENPE01, SAN713, CTCRO	Diesel	FWD	1461	55	75	10.12-	■
1.5 dCi / Blue dCi 75 (K9K 626)	04/15-, ENPA01, ENPB01, ENPE01, SAN713, CTCRO	Diesel	FWD	1461	55	75	10.12-	■
1.5 dCi / Blue dCi 75 (K9K 872)	04/15-, ENPA01, ENPB01, ENPE01, SAN713, CTCRO	Diesel	FWD	1461	55	75	10.12-	■
1.5 dCi (K9K 830)	04/15-, ENPB01, ENPE01, ENPA01, CTCRO, SAN713	Diesel	FWD	1461	63	84	01.13-	■

LISTA DE APLICACIONES - BUYERS GUIDE

1.5 dCi (K9K 838)	04/15-, ENPB01, ENPE01, ENPA01, CTCRO, SAN713	Diesel	FWD	1461	63	84	01.13-	■
1.5 dCi (K9K 612)	04/15-, ENPA01, ENPB01, ENPE01, CTCRO, SAN713	Diesel	FWD	1461	66	90	10.12-	■
1.5 dCi (K9K 626)	04/15-, ENPA01, ENPB01, ENPE01, CTCRO, SAN713	Diesel	FWD	1461	66	90	10.12-	■
1.5 Blue dCi 95 (L8JL) (K9K 872)		Diesel	FWD	1461	70	95	05.18-	■
LOGAN II MCV (K52) 02.13-				Estate (Compact car-C Segment)				
TCe 90 (K8M1, K8MA, K8AC) (H4B 400)	04/15-	Gasolina	FWD	898	66	90	02.13-	■
TCe 90 (K8M1, K8MA, K8AC) (H4B 408)	04/15-	Gasolina	FWD	898	66	90	02.13-	■
1.0 SCe 75 (B4D 400)		Gasolina	FWD	998	54	73	12.16-	■
1.0 SCe 75 (B4D 401)		Gasolina	FWD	998	54	73	12.16-	■
1.0 TCe 100 (H4D 450)		Gasolina	FWD	999	74	101	11.19-	■
1.0 TCe 100 (H4D 460)		Gasolina	FWD	999	74	101	11.19-	■
1.2 (D4F 732)	06/16-	Gasolina	FWD	1149	54	73	05.15-	■
1.2 (D4F 732)	04/15-	Gasolina	FWD	1149	55	75	02.13-	■
1.6 (K7M 812)	04/15-	Gasolina	FWD	1598	62	84	06.13-	■
TCe 90 LPG (H4B 405)		Gasol./Gas (LPG)	FWD	898	66	90	09.15-	■
TCe 90 LPG (H4B 410)		Gasol./Gas (LPG)	FWD	898	66	90	09.15-	■
1.0 LPG (K8ML) (H4D 450)		Gasol./Gas (LPG)	FWD	999	74	101	11.19-	■
1.0 LPG (K8ML) (H4D 460)		Gasol./Gas (LPG)	FWD	999	74	101	11.19-	■
1.2 LPG (D4F 734)	04/15-	Gasol./Gas (LPG)	FWD	1149	53	72	02.13-	■
1.2 LPG (D4F 734)	04/15-	Gasol./Gas (LPG)	FWD	1149	55	75	02.13-	■
1.5 dCi (K9K 612)	04/15-	Diesel	FWD	1461	55	75	02.13-	■
1.5 dCi (K9K 626)	04/15-	Diesel	FWD	1461	55	75	02.13-	■
1.5 dCi		Diesel	FWD	1461	60	82	09.16-	■
1.5 dCi (K9K 830)	04/15-	Diesel	FWD	1461	63	84	02.13-	■
1.5 dCi (K9K 838)	04/15-	Diesel	FWD	1461	63	84	02.13-	■
1.5 dCi (K9K 612)	04/15-	Diesel	FWD	1461	66	90	02.13-	■
1.5 dCi (K9K 626)	04/15-	Diesel	FWD	1461	66	90	02.13-	■
1.5 Blue dCi 95 (K8JL) (K9K 872)		Diesel	FWD	1461	70	95	10.18-	■
SANDERO (BS_) 06.08-				Hatchback (Compact car-C Segment)				
1.6 16V (K4M 690)		Gasolina	FWD	1598	77	105	07.11-12.12	■
1.6 16V (K4M 694)		Gasolina	FWD	1598	77	105	07.11-12.12	■
1.6 16V Bifuel (K4M 690)		Gasol./Etanol	FWD	1598	77	105	01.11-12.12	■
1.6 16V Bifuel (K4M 694)		Gasol./Etanol	FWD	1598	77	105	01.11-12.12	■
1.6 16V Bifuel (K4M 696)		Gasol./Etanol	FWD	1598	77	105	01.11-12.12	■
SANDERO II (B8_) 10.12-				Hatchback (Compact car-C Segment)				
TCe 90 (B8M1, B8MA, B8AC) (H4B 400)	04/15-, ENPA01, ENPB01, ENPE01, CTCRO, VSUVE, SAN713	Gasolina	FWD	898	66	90	10.12-	■
1.0 SCe 75 (B8JC, B8JD, B8NC) (B4D 400)		Gasolina	FWD	999	54	73	12.16-09.20	■
1.0 SCe 75 (B8JC, B8JD, B8NC) (B4D 401)		Gasolina	FWD	999	54	73	12.16-09.20	■
1.0 TCe 100 (B8ML) (H4D 450)		Gasolina	FWD	999	74	101	11.19-	■
1.0 TCe 100 (B8ML) (H4D 460)		Gasolina	FWD	999	74	101	11.19-	■
1.2 (D4F 732)	ENPA01, ENPB01, ENPE01, VSUVE, CTCRO	Gasolina	FWD	1149	54	73	05.15-	■
1.2 (D4F 732)	ENPB01, CTCRO, 04/15-, ENPA01, ENPE01, VSUVE	Gasolina	FWD	1149	55	75	10.12-	■
1.6 16V	Eq.V_ ENPA01,B01,D01.E01	Gasolina	FWD	1598	75	102	04.15-	■

LISTA DE APLICACIONES - BUYERS GUIDE

1.6 16V	Eq.V_ ENPA01,B01,D01.E01	Gasolina	FWD	1598	77	105	01.13-	■
TCe 90 LPG (B8M1)	ENPA01, ENPB01, ENPE01, SAN713, CTCRO, VSUVE	Gasol./Gas (LPG)	FWD	898	66	90	09.15-	■
1.0 LPG (B8ML) (H4D 450)		Gasol./Gas (LPG)	FWD	999	74	101	11.19-	■
1.0 LPG (B8ML) (H4D 460)		Gasol./Gas (LPG)	FWD	999	74	101	11.19-	■
1.2 LPG (D4F 734)	04/15-, ENPA01, ENPB01, ENPE01, CTCRO, VSUVE	Gasol./Gas (LPG)	FWD	1149	55	75	10.12-	■
1.5 dCi 75 / Blue dCi 75 (B8JW, B8M4, B8AH, B8M7, B8M6) (K9K 612)	Eq.V_ ENPA01,B01,D01.E01, 04/15-, SAN713, VSUVE, CTCRO	Diesel	FWD	1461	55	75	10.12-	■
1.5 dCi 75 / Blue dCi 75 (B8JW, B8M4, B8AH, B8M7, B8M6) (K9K 626)	Eq.V_ ENPA01,B01,D01.E01, 04/15-, SAN713, VSUVE, CTCRO	Diesel	FWD	1461	55	75	10.12-	■
1.5 dCi 75 / Blue dCi 75 (B8JW, B8M4, B8AH, B8M7, B8M6) (K9K 838)	Eq.V_ ENPA01,B01,D01.E01, 04/15-, SAN713, VSUVE, CTCRO	Diesel	FWD	1461	55	75	10.12-	■
1.5 dCi 75 / Blue dCi 75 (B8JW, B8M4, B8AH, B8M7, B8M6) (K9K 872)	Eq.V_ ENPA01,B01,D01.E01, 04/15-, SAN713, VSUVE, CTCRO	Diesel	FWD	1461	55	75	10.12-	■
1.5 dCi (K9K 830)	Eq.V_ ENPA01,B01,D01.E01, VSUVE, SAN713, CTCRO, 04/15-	Diesel	FWD	1461	63	84	01.13-	■
1.5 dCi (K9K 612)	Eq.V_ ENPA01,B01,D01.E01, 04/15-, SAN713, CTCRO, VSUVE	Diesel	FWD	1461	66	90	10.12-	■
1.5 dCi (K9K 626)	Eq.V_ ENPA01,B01,D01.E01, 04/15-, SAN713, CTCRO, VSUVE	Diesel	FWD	1461	66	90	10.12-	■
1.5 Blue dCi 95 (B8JL) (K9K 872)		Diesel	FWD	1461	70	95	08.18-	■
LADA								
XRAY (GAB_) 02.16-				Hatchback (Compact Crossover CUV-C Segment)				
1.6 (GAB11) (VAZ-21129)		Gasolina	FWD	1597	78	106	02.16-	■
1.6 Cross (GAB11)		Gasolina	FWD	1597	78	106	02.21-	■
1.6 (GAB43) (H4M)		Gasolina	FWD	1598	81	110	02.16-	■
1.6 (GAB43) (HR16DE)		Gasolina	FWD	1598	81	110	02.16-	■
1.8 (GAB32, GAB33) (21179)		Gasolina	FWD	1774	90	122	02.16-	■
RENAULT								
CLIO IV (BH_) 01.14-				Hatchback Van (LCVs-N1 Segment)				
0.9 TCe 75		Gasolina	FWD	898	56	76	01.14-08.21	■
0.9 TCe 90 (H4B 400)	04/15-, Eq.V_ F,R, Rim 15, Rim 16	Gasolina	FWD	898	66	90	01.14-08.21	■
0.9 TCe 90 (H4B 408)	04/15-, Eq.V_ F,R, Rim 15, Rim 16	Gasolina	FWD	898	66	90	01.14-08.21	■
1.2 16V (BHMK) (D4F 740)	04/15-	Gasolina	FWD	1149	54	73	01.14-08.21	■
1.2 16V	04/15-, Eq.V_ F,R, Rim 15, Rim 16	Gasolina	FWD	1149	55	75	01.14-08.21	■
0.9 TCe 90 LPG (BHM1) (H4B 410)		Gasol./Gas (LPG)	FWD	898	66	90	08.15-08.21	■
1.2 16V LPG (BHMG) (D4F 744)		Gasol./Gas (LPG)	FWD	1149	53	72	01.14-08.21	■
1.5 dCi 75 (K9K 612)	04/15-, Eq.V_ F,R, Rim 15, Rim 16	Diesel	FWD	1461	55	75	01.14-08.21	■
1.5 dCi 90 (BHAJ) (K9K 608)	04/15-, Eq.V_ F,R, Rim 15, Rim 16, Manual, 5 vel.	Diesel	FWD	1461	66	90	01.14-08.21	■
1.5 dCi 90 (BHAJ) (K9K 628)	04/15-, Eq.V_ F,R, Rim 15, Rim 16, Manual, 5 vel.	Diesel	FWD	1461	66	90	01.14-08.21	■
1.5 dCi 90 (BHAJ) (K9K 629)	04/15-, Eq.V_ F,R, Rim 15, Rim 16, Manual, 5 vel.	Diesel	FWD	1461	66	90	01.14-08.21	■
CLIO IV (BH_) 11.12-				Hatchback (Supermini car-B Segment)				
0.9 TCe 75 (BHNP) (H4B 408)		Gasolina	FWD	898	56	76	05.18-08.21	■
0.9 TCe 90 (BHNF, BHMA, BHMH, BHJK, BHJR) (H4B 400)	04/15-, Eq.V_ F,R, Rim 15, Rim 16	Gasolina	FWD	898	66	90	11.12-08.21	■

LISTA DE APLICACIONES - BUYERS GUIDE

0.9 TCe 90 (BHNf, BHMA, BHMh, BHJK, BHJR) (H4B 408)	04/15-, Eq.V_ F,R, Rim 15, Rim 16	Gasolina	FWD	898	66	90	11.12-08.21	■	
1.2 16V (D4F 728)	04/15-, Eq.V_ F,R, Rim 15, Rim 16	Gasolina	FWD	1149	54	73	11.12-08.21	■	
1.2 16V (D4F 740)	04/15-, Eq.V_ F,R, Rim 15, Rim 16	Gasolina	FWD	1149	54	73	11.12-08.21	■	
1.2 16V (BHA1, BHAK, BHMg, BHMK) (D4F 740)		Gasolina	FWD	1149	55	75	06.15-08.21	■	
1.2 TCe 120 (BHAU) (H5F 408)	Eq.V_ F,R, Rim 15, Rim 16	Gasolina	FWD	1197	87	118	01.16-08.21	■	
1.2 TCe 120 (BHAU) (H5F 412)	Eq.V_ F,R, Rim 15, Rim 16	Gasolina	FWD	1197	87	118	01.16-08.21	■	
1.2 TCe 120 (BHM0) (H5F 403)	04/15-, Eq.V_ F,R, Rim 15, Rim 16	Gasolina	FWD	1197	88	120	03.13-08.21	■	
1.6 RS (BHJ4, BHJ6, BHMM) (M5M 400)	04/15-, Eq.V_ F,R	Gasolina	FWD	1618	147	200	03.13-08.21	■	
1.6 RS (BHJ4, BHJ6, BHMM) (M5M 401)	04/15-, Eq.V_ F,R	Gasolina	FWD	1618	147	200	03.13-08.21	■	
1.6 RS (BHJ4, BHJ6, BHMM) (M5M 450)	04/15-, Eq.V_ F,R	Gasolina	FWD	1618	147	200	03.13-08.21	■	
1.6 RS Trophy (BHJ4, BHJ6) (M5M 401)	04/15-, Eq.V_ F,R	Gasolina	FWD	1618	162	220	03.15-08.21	■	
0.9 TCe 90 LPG (H4B 410)	Eq.V_ F,R, Rim 15, Rim 16	Gasol./Gas (LPG)	FWD	898	66	90	06.16-08.21	■	
1.2 LPG (BHMg) (D4F 744)	04/15-	Gasol./Gas (LPG)	FWD	1149	53	72	01.14-08.21	■	
1.2 LPG (BHMg)		Gasol./Gas (LPG)	FWD	1149	53	72	01.14-	■	
1.2 LPG 16V (D4F 740)	04/15-, Eq.V_ F,R, Rim 15, Rim 16	Gasol./Gas (LPG)	FWD	1149	54	73	11.12-06.15	■	
1.0 Campus Flex	04/15-, Eq.V_ F,R, Rim 15, Rim 16	Gasol./Etanol	FWD	999	59	80	11.12-	■	
1.5 dCi 75 (BHN3) (K9K 612)	04/15-, Eq.V_ F,R, Rim 15, Rim 16	Diesel	FWD	1461	55	75	11.12-08.21	■	
1.5 dCi 75 (BHN3) (K9K 628)	04/15-, Eq.V_ F,R, Rim 15, Rim 16	Diesel	FWD	1461	55	75	11.12-08.21	■	
1.5 dCi (BHM6) (K9K 838)		Diesel	FWD	1461	62	84	11.12-08.21	■	
1.5 dCi (BHMW) (K9K 830)	02/14-	Diesel	FWD	1461	63	86	11.12-08.21	■	
1.5 dCi 90 (K9K 608)	04/15-, Eq.V_ F,R, Rim 15, Rim 16, Manual, 5 vel.	Diesel	FWD	1461	66	90	11.12-08.21	■	
1.5 dCi 90 (K9K 628)	04/15-, Eq.V_ F,R, Rim 15, Rim 16, Manual, 5 vel.	Diesel	FWD	1461	66	90	11.12-08.21	■	
1.5 dCi 90 (K9K 638)	04/15-, Eq.V_ F,R, Rim 15, Rim 16, Manual, 5 vel.	Diesel	FWD	1461	66	90	11.12-08.21	■	
1.5 dCi 110 (K9K 646)	Eq.V_ F,R, Rim 15, Rim 16	Diesel	FWD	1461	81	110	06.16-08.21	■	
CLIO IV Grandtour (KH_) 01.13-							Estate Van (Supermini car-B Segment)		
0.9 TCe 90 (H4B 400)	04/15-, Eq.V_ F,R, Rim 15, Rim 16	Gasolina	FWD	898	66	90	01.14-08.21	■	
1.5 dCi 75 (K9K 612)	04/15-, Eq.V_ F,R, Rim 15, Rim 16	Diesel	FWD	1461	55	75	01.14-08.21	■	
1.5 dCi 90 (K9K 608)	04/15-, Eq.V_ F,R, Rim 15, Rim 16	Diesel	FWD	1461	66	90	01.14-08.21	■	
CLIO IV Grandtour (KH_) 11.12-							Estate (Supermini car-B Segment)		
0.9 TCe 90 (KHJR, KHMA, KHM1) (H4B 400)	04/15-, Eq.V_ F,R, Rim 15, Rim 16	Gasolina	FWD	898	66	90	01.13-08.21	■	
0.9 TCe 90 (KHJR, KHMA, KHM1) (H4B 408)	04/15-, Eq.V_ F,R, Rim 15, Rim 16	Gasolina	FWD	898	66	90	01.13-08.21	■	
1.2 16V (D4F 740)	04/15-, Eq.V_ F,R, Rim 15, Rim 16	Gasolina	FWD	1149	54	73	01.13-08.21	■	
1.2 TCe 120 (KHAU) (H5F 408)	Eq.V_ F,R, Rim 15, Rim 16	Gasolina	FWD	1197	87	118	01.16-08.21	■	
1.2 TCe 120 (KHAU) (H5F 412)	Eq.V_ F,R, Rim 15, Rim 16	Gasolina	FWD	1197	87	118	01.16-08.21	■	
1.2 TCe 120 (KHM0) (H5F 403)	04/15-, Eq.V_ F,R, Rim 15, Rim 16	Gasolina	FWD	1197	88	120	03.13-08.21	■	
1.5 dCi 75 (K9K 612)	04/15-, Eq.V_ F,R, Rim 15, Rim 16	Diesel	FWD	1461	55	75	01.13-08.21	■	
1.5 dCi 75 (K9K 628)	04/15-, Eq.V_ F,R, Rim 15, Rim 16	Diesel	FWD	1461	55	75	01.13-08.21	■	
1.5 dCi 90 (KHN3, KHN4) (K9K 608)	04/15-, Eq.V_ F,R, Rim 15, Rim 16	Diesel	FWD	1461	66	90	11.12-08.21	■	
1.5 dCi 90 (KHN3, KHN4) (K9K 628)	04/15-, Eq.V_ F,R, Rim 15, Rim 16	Diesel	FWD	1461	66	90	11.12-08.21	■	

LISTA DE APLICACIONES - BUYERS GUIDE

1.5 dCi 90 (KHN3, KHN4) (K9K 629)	04/15-, Eq.V_ F,R, Rim 15, Rim 16	Diesel	FWD	1461	66	90	11.12-08.21	■	
1.5 dCi 110 (K9K 646)	Eq.V_ F,R, Rim 15, Rim 16	Diesel	FWD	1461	81	110	06.16-08.21	■	
LOGAN II MCV / TONDAR (K8_) 11.13-					Estate (Compact car-C Segment)				
TCe 90 (K8M1)		Gasolina	FWD	898	66	90	02.17-12.20	■	
1.2 16V (D4F 732)	04/15-	Gasolina	FWD	1149	54	73	12.13-	■	
1.2 16V (D4F 734)	04/15-	Gasolina	FWD	1149	54	73	12.13-	■	
1.6 (K7M 812)	04/15-	Gasolina	FWD	1598	59	80	12.13-	■	
1.6 (K8A9)		Gasolina	FWD	1598	78	106	12.13-	■	
1.2 16V LPG (D4F 732)	04/15-	Gasol./Gas (LPG)	FWD	1149	53	72	12.13-	■	
1.2 16V LPG (D4F 734)	04/15-	Gasol./Gas (LPG)	FWD	1149	53	72	12.13-	■	
1.5 dCi (K9K 838)	04/15-	Diesel	FWD	1461	62	84	12.13-	■	
1.5 dCi	04/15-	Diesel	FWD	1461	66	90	12.13-	■	
LOGAN II /STEPWAY II / TONDAR (L8_) 09.12-					Saloon (Compact car-C Segment)				
1.2 (D4F 732)	ENPB01, CTCRO	Gasolina	FWD	1149	55	75	11.13-	■	
1.6 (K7M 812)	ENPB01, CTCRO	Gasolina	FWD	1598	59	80	11.13-	■	
1.6 (K7M 812)	ENPB01, CTCRO	Gasolina	FWD	1598	60	82	04.14-	■	
1.6 (L8A9, L8J0) (K4M 842)	Eq.V_ ENPE01, ENPA01, ENPB01, CTCRO, 04/15-, SAN713	Gasolina	FWD	1598	75	102	04.14-	■	
1.6 (L8A9, L8J0) (K4M 845)	Eq.V_ ENPE01, ENPA01, ENPB01, CTCRO, 04/15-, SAN713	Gasolina	FWD	1598	75	102	04.14-	■	
1.6	04/15-	Gasolina	FWD	1598	77	105	11.13-	■	
1.6	04/15-	Gasolina	FWD	1598	78	106	11.13-	■	
1.6	04/15-	Gasolina	FWD	1598	81	110	11.13-	■	
1.6 (H4M 438)	ENPA01, ENPE01, ENPB01, SAN713, CTCRO	Gasolina	FWD	1598	83	113	09.16-	■	
1.2 16V LPG (D4F 732)	ENPB01, CTCRO, 04/15-	Gasol./Gas (LPG)	FWD	1149	53	72	11.13-	■	
1.2 16V LPG (D4F 734)	ENPB01, CTCRO, 04/15-	Gasol./Gas (LPG)	FWD	1149	53	72	11.13-	■	
1.0 Flex (L8J8)		Gasol./Etanol	FWD	999	60	82	01.17-	■	
1.5 dCi (K9K 838)	04/15-, ENPA01, ENPB01, ENPE01, CTCRO, SAN713	Diesel	FWD	1461	62	84	12.13-	■	
1.5 dCi	04/15-, ENPA01, ENPB01, ENPE01, CTCRO, SAN713	Diesel	FWD	1461	66	90	12.13-	■	
LOGAN / TONDAR 90 (KS_) 04.07-					Estate (Compact car-C Segment)				
1.5 dCi (KS04, KS1L)	04/15-	Diesel	FWD	1461	66	90	06.11-06.15	■	
SANDERO II /STEPWAY II (B8_) 11.13-					Hatchback (Compact car-C Segment)				
TCe 90 (B8MA, B8M1, B8JR)		Gasolina	FWD	898	66	90	09.15-	■	
1.0 SCe 75 (B8JD)		Gasolina	FWD	999	54	73	12.19-	■	
1.2 16V (D4F 732)	04/15-, ENPE01, ENPB01, ENPA01, CTCRO, VSUVE	Gasolina	FWD	1149	54	73	12.13-	■	
1.2 16V (D4F 734)	04/15-, ENPE01, ENPB01, ENPA01, CTCRO, VSUVE	Gasolina	FWD	1149	54	73	12.13-	■	
1.2 16V (D4F 732)	ENPA01, ENPB01, ENPE01, VSUVE, CTCRO	Gasolina	FWD	1149	55	75	04.15-	■	
1.6 (K7M 812)	04/15-, ENPE01, ENPB01, ENPA01, CTCRO, VSUVE	Gasolina	FWD	1598	59	80	11.13-	■	
1.6	04/15-, ENPA01, ENPB01, ENPE01, CTCRO, VSUVE	Gasolina	FWD	1598	60	82	11.13-	■	
1.6	04/15-, ENPA01, ENPE01, ENPB01, CTCRO, VSUVE	Gasolina	FWD	1598	61	83	11.13-	■	
1.6 16V	Eq.V_ ENPA01,B01,D01.E01, 04/15-, CTCRO, SAN713, VSUVE	Gasolina	FWD	1598	75	102	04.14-	■	
1.6	04/15-	Gasolina	FWD	1598	77	105	09.14-	■	

LISTA DE APLICACIONES - BUYERS GUIDE

1.6	Eq.V_ ENPA01,B01,D01.E01	Gasolina	FWD	1598	78	106	09.16-	■	
1.6 16V	04/15-	Gasolina	FWD	1598	81	110	04.14-	■	
1.6 (B8JA) (H4M 429)	ENPA01, ENPB01, ENPE01, CTCRO, VSUVE, SAN713	Gasolina	FWD	1598	83	113	09.16-	■	
1.6 (B8JA) (H4M 438)	ENPA01, ENPB01, ENPE01, CTCRO, VSUVE, SAN713	Gasolina	FWD	1598	83	113	09.16-	■	
1.2 16V LPG (D4F 734)	04/15-, ENPE01, ENPB01, ENPA01, CTCRO, VSUVE	Gasol./Gas (LPG)	FWD	1149	53	72	12.13-	■	
1.0 Authentique, Expression Hi-Flex		Gasol./Etanol	FWD	999	60	82	01.17-	■	
1.6 Flex (B8A6)	04/15-	Gasol./Etanol	FWD	1598	78	106	03.14-07.18	■	
1.5 dCi (K9K 830)	Eq.V_ ENPA01,B01,D01.E01, 04/15-, CTCRO, SAN713, VSUVE	Diesel	FWD	1461	62	84	12.13-	■	
1.5 dCi (B8AL)		Diesel	FWD	1461	66	90	01.17-	■	
THALIA III / SYMBOL (L8_) 12.13-					Saloon (Supermini car-B Segment)				
0.9 TCe (H4B 400)		Gasolina	FWD	898	66	90	06.14-	■	
1.6 16V (K4M 842)	04/15-	Gasolina	FWD	1598	77	105	12.13-	■	
1.5 dCi (K9K 612)	04/15-	Diesel	FWD	1461	55	75	07.14-	■	
1.5 dCi (L8AJ) (K9K 612)	04/15-	Diesel	FWD	1461	66	90	12.13-	■	
1.5 dCi		Diesel	FWD	1461	70	95	11.19-	■	
TWINGO III (BCM_, BCA_) 09.14-					Hatchback (City car-A Segment)				
1.0 SCe 65 (BCMJ) (B4D 403)		Gasolina	RWD	999	48	65	03.19-07.24	■	
1.0 SCe 75 (B4D 403)		Gasolina	RWD	999	54	73	03.19-01.21	■	