

LISTA DE APLICACIONES - BUYERS GUIDE

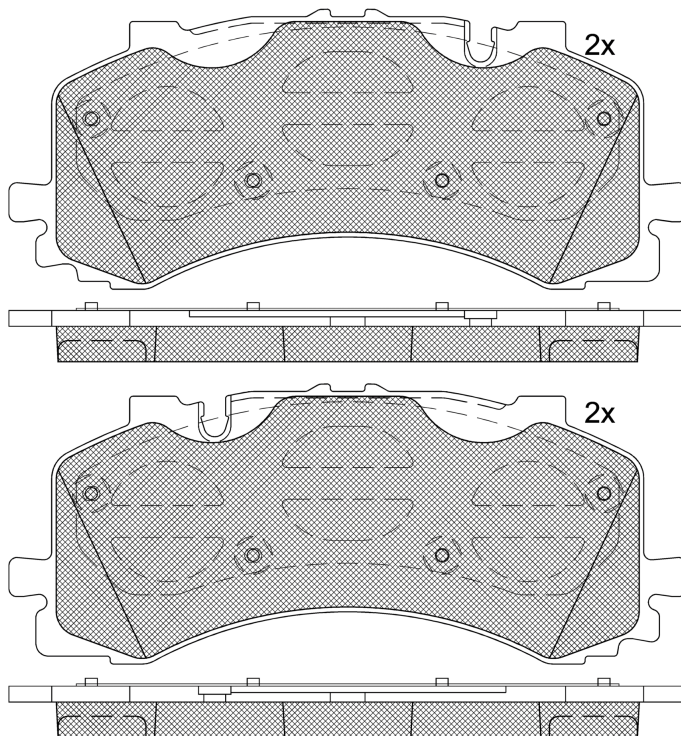
182281



Qty: 300

Weight: 3.735

O.E.M.	MAKE
4M0 698 151 AH	AUDI
4M0 698 151 BB	AUDI
4M0 698 151 BL	AUDI
4M0 698 151 BM	AUDI
4M0 698 151 K	VW
4N0 698 151	AUDI
4N0 698 151 G	AUDI
4N0 698 151 K	AUDI



27.9
8x
1-Ref. 690381 E

182281

E 9 90R-02A0111/4859



Akebono

214.1x88.5x16.9

WVA	FMSI
25908	D1952-9178
25909	

MAKE
AUDI
VW



Trac.	CC	Kw	CV
-------	----	----	----



Front / Rear

AUDI

A6 V C8 Avant (4A5) 05.18-

Estate (Executive car-E Segment)

Model	PR	Fuel	Trac.	CC	Kw	CV	Year	Front	Rear
40 TFSI 12V	PR 1LB, PR 1LW, discØ 400	Gasolina	FWD	1984	140	190	04.20-	■	■
40 TFSI (DMTC)	PR 1LB, PR 1LW	Gasolina	FWD	1984	150	204	09.20-	■	■
45 TFSI	PR 1LB, PR 1LW, discØ 400	Gasolina	FWD	1984	180	245	04.20-	■	■
40 TFSI Mild Hybrid	PR 1LB, PR 1LW, discØ 400	Gasol./el éc.	FWD	1984	140	190	02.19-	■	■
45 TFSI Mild Hybrid (DKNA)	PR 1LB, PR 1LW, discØ 400	Gasol./el éc.	FWD	1984	180	245	08.18-	■	■
45 TFSI Mild Hybrid (DLHA)	PR 1LB, PR 1LW, discØ 400	Gasol./el éc.	FWD	1984	180	245	08.18-	■	■
45 TFSI Mild hybrid quattro (DKNA)	PR 1LB, PR 1LW, discØ 400	Gasol./el éc.	4WD	1984	180	245	08.18-	■	■
45 TFSI Mild hybrid quattro (DLHA)	PR 1LB, PR 1LW, discØ 400	Gasol./el éc.	4WD	1984	180	245	08.18-	■	■
45 TFSI Mild Hybrid (DMTA)	PR 1LB, PR 1LW, discØ 400	Gasol./el éc.	FWD	1984	195	265	05.20-	■	■
45 TFSI Mild hybrid quattro (DMTA)	PR 1LB, PR 1LW, discØ 400	Gasol./el éc.	4WD	1984	195	265	05.20-	■	■
55 TFSI e quattro	PR 1LW, PR 1LB	Gasol./el éc.	4WD	1984	195	265	02.21-	■	■
50 TFSI e quattro	PR 1LB, PR 1LW, discØ 400	Gasol./el éc.	4WD	1984	220	299	02.21-	■	■
50 TFSI e quattro	PR 1LW, PR 1LB	Gasol./el éc.	4WD	1984	220	299	02.21-	■	■
55 TFSI e quattro (DLGA)	PR 1LB, PR 1LW, discØ 400	Gasol./el éc.	4WD	1984	270	367	02.21-	■	■
55 TFSI Mild Hybrid quattro (DLZA)	PR 1LB, PR 1LW, discØ 400	Gasol./el éc.	4WD	2995	250	340	05.18-	■	■
30 TDI Mild Hybrid (DEZF)	PR 1LB, PR 1LW, discØ 400	Diesel/el éc.	FWD	1968	100	136	01.19-	■	■
35 TDI Mild Hybrid (DEZD)	PR 1LB, PR 1LW, discØ 400	Diesel/el éc.	FWD	1968	120	163	03.19-	■	■

LISTA DE APLICACIONES - BUYERS GUIDE

35 TDI Mild Hybrid quattro	PR 1LB, PR 1LW, discØ 400	Diesel/el éc.	4WD	1968	120	163	10.20-	■	
40 TDI Mild Hybrid	PR 1LB, PR 1LW, discØ 400	Diesel/el éc.	FWD	1968	140	190	02.19-	■	
40 TDI Mild Hybrid (DFBA)	PR 1LB, PR 1LW, discØ 400	Diesel/el éc.	FWD	1968	150	204	05.18-	■	
40 TDI Mild Hybrid quattro (DFBA)	PR 1LB, PR 1LW, discØ 400	Diesel/el éc.	4WD	1968	150	204	07.18-	■	
45 TDI Mild Hybrid quattro (DDVF)	PR 1LB, PR 1LW, discØ 400	Diesel/el éc.	4WD	2967	155	211	07.18-	■	
45 TDI Mild Hybrid quattro (DDVE)	PR 1LB, PR 1LW, discØ 400	Diesel/el éc.	4WD	2967	170	231	05.18-	■	
45 TDI Mild Hybrid quattro	PR 1LW, PR 1LB	Diesel/el éc.	4WD	2967	180	245	01.21-	■	
50 TDI Mild Hybrid quattro (DDVB)	PR 1LB, PR 1LW, discØ 400	Diesel/el éc.	4WD	2967	210	286	05.18-	■	
S6 TDI Mild Hybrid quattro	PR 1LB, PR 1LW, discØ 400	Diesel/el éc.	4WD	2967	253	344	11.20-	■	
S6 TDI Mild Hybrid quattro (DEWA)	PR 1LB, PR 1LW, discØ 400	Diesel/el éc.	4WD	2967	257	349	03.19-	■	
A6 V Allroad C8 (4AH) 11.18-					Estate (Executive car-E Segment)				
55 TFSI Mild Hybrid quattro (DLZA)	PR 1LB, PR 1LW, discØ 400	Gasol./el éc.	4WD	2995	250	340	11.19-	■	
40 TDI Mild Hybrid quattro	PR 1LW, PR 1LB	Diesel/el éc.	4WD	1968	150	204	09.20-	■	
45 TDI Mild Hybrid quattro	PR 1LW, PR 1LB	Diesel/el éc.	4WD	2967	180	245	01.21-	■	
55 TDI Mild Hybrid quattro	PR 1LB, PR 1LW, discØ 400	Diesel/el éc.	4WD	2967	253	344	11.20-	■	
55 TDI Mild Hybrid quattro (DEWA)	PR 1LB, PR 1LW, discØ 400	Diesel/el éc.	4WD	2967	257	349	03.19-	■	
45 TDI quattro	PR 1LB, PR 1LW, discØ 400	Diesel	4WD	2967	183	249	08.19-	■	
A6 V C8 (4A2) 02.18-					Saloon (Executive car-E Segment)				
40 TFSI (DMTC)	PR 1LW, PR 1LB	Gasolina	FWD	1984	150	204	09.20-	■	
45 TFSI quattro (DLHB)	PR 1LB, PR 1LW	Gasolina	4WD	1984	185	252	11.19-	■	
40 TFSI Mild Hybrid	PR 1LB, PR 1LW, discØ 400	Gasol./el éc.	FWD	1984	140	190	02.19-	■	
45 TFSI Mild Hybrid (DKNA)	PR 1LB, PR 1LW, discØ 400	Gasol./el éc.	FWD	1984	180	245	08.18-	■	
45 TFSI Mild Hybrid (DLHA)	PR 1LB, PR 1LW, discØ 400	Gasol./el éc.	FWD	1984	180	245	08.18-	■	
45 TFSI Mild hybrid quattro (DKNA)	PR 1LB, PR 1LW, discØ 400	Gasol./el éc.	4WD	1984	180	245	08.18-	■	
45 TFSI Mild hybrid quattro (DLHA)	PR 1LB, PR 1LW, discØ 400	Gasol./el éc.	4WD	1984	180	245	08.18-	■	
55 TFSI e quattro (DLGA)	PR 1LB, PR 1LW, discØ 400	Gasol./el éc.	4WD	1984	185	252	11.19-	■	
45 TFSI Mild Hybrid (DMTA)	PR 1LB, PR 1LW, discØ 400	Gasol./el éc.	FWD	1984	195	265	05.20-	■	
45 TFSI Mild hybrid quattro (DMTA)	PR 1LB, PR 1LW, discØ 400	Gasol./el éc.	4WD	1984	195	265	05.20-	■	
50 TFSI e quattro (DLGA)	PR 1LB, PR 1LW, discØ 400	Gasol./el éc.	4WD	1984	220	299	11.19-	■	
50 TFSI e quattro (DLGA)	PR 1LB, PR 1LW, discØ 400	Gasol./el éc.	4WD	1984	220	299	11.19-	■	
50 TFSI e quattro	PR 1LB, PR 1LW, discØ 400	Gasol./el éc.	4WD	1984	220	299	02.21-	■	
55 TFSI e quattro (DLGA)	PR 1LB, PR 1LW, discØ 400	Gasol./el éc.	4WD	1984	270	367	11.19-	■	
S6 TFSI Mild Hybrid quattro	PR 1LB, PR 1LW, discØ 400	Gasol./el éc.	4WD	2894	331	450	01.20-	■	
55 TFSI Mild Hybrid quattro (DLZA)	PR 1LB, PR 1LW, discØ 400	Gasol./el éc.	4WD	2995	250	340	02.18-	■	
30 TDI Mild Hybrid (DEZF)	PR 1LB, PR 1LW, discØ 400	Diesel/el éc.	FWD	1968	100	136	01.19-	■	
35 TDI Mild Hybrid (DEZD)	PR 1LB, PR 1LW, discØ 400	Diesel/el éc.	FWD	1968	120	163	03.19-	■	

LISTA DE APLICACIONES - BUYERS GUIDE

35 TDI Mild Hybrid quattro	PR 1LB, PR 1LW, discØ 400	Diesel/el éc.	4WD	1968	120	163	11.20-	■	
40 TDI Mild Hybrid (DFBA)	PR 1LB, PR 1LW, discØ 400	Diesel/el éc.	FWD	1968	150	204	07.18-	■	
40 TDI Mild Hybrid quattro (DFBA)	PR 1LB, PR 1LW, discØ 400	Diesel/el éc.	4WD	1968	150	204	07.18-	■	
40 TDI Mild Hybrid quattro	PR 1LW, PR 1LB	Diesel/el éc.	4WD	1968	150	204	07.18-	■	
45 TDI Mild Hybrid quattro (DDVF)	PR 1LB, PR 1LW, discØ 400	Diesel/el éc.	4WD	2967	155	211	07.18-	■	
45 TDI Mild Hybrid quattro (DDVE)	PR 1LB, PR 1LW, discØ 400	Diesel/el éc.	4WD	2967	170	231	07.18-	■	
45 TDI Mild Hybrid quattro	PR 1LW, PR 1LB	Diesel/el éc.	4WD	2967	180	245	01.21-	■	
50 TDI Mild Hybrid quattro (DDVB)	PR 1LB, PR 1LW, discØ 400	Diesel/el éc.	4WD	2967	210	286	02.18-	■	
S6 TDI Mild Hybrid quattro	PR 1LB, PR 1LW, discØ 400	Diesel/el éc.	4WD	2967	253	344	01.21-	■	
S6 TDI Mild Hybrid quattro (DEWA)	PR 1LB, PR 1LW, discØ 400	Diesel/el éc.	4WD	2967	257	349	03.19-	■	
40 TDI	PR 1LB, PR 1LW, discØ 400	Diesel	FWD	1968	140	190	02.19-	■	
45 TDI quattro	PR 1LB, PR 1LW	Diesel	4WD	2967	183	249	07.19-	■	
A7 II Sportback (4KA) 10.17-							Hatchback (Executive car-E Segment)		
40 TFSI 12V (DKYA)	PR 1LB, PR 1LW, not ceramic disc	Gasolina	FWD	1984	140	190	11.19-	■	
45 TFSI (DLHA)	PR 1LB, PR 1LW, not ceramic disc	Gasolina	FWD	1984	180	245	11.19-	■	
40 TFSI Mild Hybrid	not ceramic disc, PR 1LW, PR 1LB	Gasol./el éc.	FWD	1984	150	204	08.20-	■	
45 TFSI Mild Hybrid (DKNA)	PR 1LB, PR 1LW, discØ 400, not ceramic disc	Gasol./el éc.	FWD	1984	180	245	07.18-	■	
45 TFSI Mild Hybrid (DLHA)	PR 1LB, PR 1LW, discØ 400, not ceramic disc	Gasol./el éc.	FWD	1984	180	245	07.18-	■	
45 TFSI Mild hybrid quattro (DKNA)	PR 1LB, PR 1LW, discØ 400, not ceramic disc	Gasol./el éc.	4WD	1984	180	245	07.18-	■	
45 TFSI Mild hybrid quattro (DLHA)	PR 1LB, PR 1LW, discØ 400, not ceramic disc	Gasol./el éc.	4WD	1984	180	245	07.18-	■	
45 TFSI Mild Hybrid	PR 1LB, PR 1LW, discØ 400, not ceramic disc	Gasol./el éc.	FWD	1984	195	265	05.20-	■	
45 TFSI Mild hybrid quattro	PR 1LB, PR 1LW, discØ 400, not ceramic disc	Gasol./el éc.	4WD	1984	195	265	05.20-	■	
50 TFSI e quattro (DLGA)	PR 1LB, PR 1LW, discØ 400, not ceramic disc	Gasol./el éc.	4WD	1984	220	299	11.19-	■	
50 TFSI e quattro	PR 1LW, PR 1LB, not ceramic disc	Gasol./el éc.	4WD	1984	220	299	02.21-	■	
55 TFSI e quattro	PR 1LB, PR 1LW, discØ 400, not ceramic disc	Gasol./el éc.	4WD	1984	270	367	07.19-	■	
55 TFSI e quattro	PR 1LW, PR 1LB, not ceramic disc	Gasol./el éc.	4WD	1984	270	367	07.19-	■	
55 TFSI e quattro	PR 1LW, PR 1LB, not ceramic disc	Gasol./el éc.	4WD	1984	270	367	02.21-	■	
S7 TFSI Mild Hybrid quattro	PR 1LB, PR 1LW, discØ 400, not ceramic disc	Gasol./el éc.	4WD	2894	331	450	01.20-	■	
55 TFSI Mild Hybrid quattro (DLZA)	PR 1LB, PR 1LW, discØ 400, not ceramic disc	Gasol./el éc.	4WD	2995	250	340	10.17-	■	
40 TDI Mild Hybrid (DFBA)	PR 1LB, PR 1LW, discØ 400, not ceramic disc	Diesel/el éc.	FWD	1968	150	204	09.18-	■	
40 TDI Mild Hybrid quattro (DFBA)	PR 1LB, PR 1LW, discØ 400, not ceramic disc	Diesel/el éc.	4WD	1968	150	204	09.18-	■	
45 TDI Mild Hybrid quattro (DDVF)	PR 1LB, PR 1LW, discØ 400, not ceramic disc	Diesel/el éc.	4WD	2967	155	211	04.18-	■	
45 TDI Mild Hybrid quattro	PR 1LW, PR 1LB, not ceramic disc	Diesel/el éc.	4WD	2967	180	245	01.21-	■	
S7 TDI Mild Hybrid quattro	PR 1LB, PR 1LW, discØ 400, not ceramic disc	Diesel/el éc.	4WD	2967	253	344	11.20-	■	
S7 TDI Mild Hybrid quattro (DEWA)	PR 1LB, PR 1LW, discØ 400, not ceramic disc	Diesel/el éc.	4WD	2967	257	349	03.19-	■	

LISTA DE APLICACIONES - BUYERS GUIDE

A8 IV D5 (4N2, 4N8, 4NC, 4NL, 4NX) 06.17-						Saloon (Luxury car-F Segment)			
50 TFSI Mild Hybrid quattro (4N8) (CZSA)	discØ 400, PR 1LK, PR 1ZT, PR 1LV, PR 1ZL, PR 1LW, PR 1LB, not ceramic disc	Gasol./el éc.	4WD	2995	210	286	07.18-	■	
55 TFSI Mild Hybrid quattro (CZSE)	PR 1LV, PR 1LW, PR 1ZL, PR 1LK, PR 1ZT, discØ 400, PR 1LB PR 1LT, discØ 420	Gasol./el éc.	4WD	2995	250	340	06.17-	■	
60 TFSI e quattro (CZSE)	PR 1LB, PR 1LV, PR 1LW, PR 1ZL, PR 1LK, PR 1ZT, discØ 400, PR 1LR, PR 1LQ, not ceramic disc	Gasol./el éc.	4WD	2995	250	340	10.19-	■	
60 TFSI e quattro (CZSE)	PR 1LB, PR 1LV, PR 1LW, PR 1ZL, discØ 400, PR 1LR, PR 1ZT, PR 1LK, PR 1LQ, not ceramic disc PR 1LT, discØ 420	Gasol./el éc.	4WD	2995	330	449	10.19-	■	
60 TFSI e quattro		Gasol./el éc.	4WD	2995	340	462	11.21-	■	
60 TFSI Mild Hybrid quattro (CXYA)	discØ 400, PR 1LK, PR 1ZT, PR 1LV, PR 1ZL, PR 1LW, PR 1LB, not ceramic disc	Gasol./el éc.	4WD	3996	338	460	05.18-	■	
S8 TFSI Mild Hybrid quattro (CWWB)	discØ 400, PR 1LK, PR 1ZL, PR 1LV, PR 1LB, PR 1LV, not ceramic disc	Gasol./el éc.	4WD	3996	420	571	02.19-	■	
50 TDI Mild Hybrid quattro (DDVC)	discØ 400, PR 1LK, PR 1ZT, PR 1LV, PR 1ZL, PR 1LW, PR 1LB	Diesel/el éc.	4WD	2967	210	286	06.17-	■	
60 TDI Mild Hybrid quattro (CVXB)	discØ 400, PR 1LK, PR 1ZT, PR 1LV, PR 1ZL, PR 1LW, PR 1LB, not ceramic disc	Diesel/el éc.	4WD	3956	320	435	11.19-	■	
45 TDI quattro (CVMD)	discØ 400, PR 1LK, PR 1ZT, PR 1LV, PR 1ZL, PR 1LW, PR 1LB, not ceramic disc	Diesel	4WD	2967	183	249	01.19-	■	
Q7 II (4MB, 4MG) 01.15-						SUV Van (Luxury Crossover SUV-J Segment)			
3.0 45 TDI Mild Hybrid quattro	PR 1LV, PR 1LW, PR 1LB, not ceramic disc	Diesel/el éc.	4WD	2967	170	231	07.18-12.19	■	
3.0 50 TDI Mild Hybrid quattro	discØ 400, PR 1LV, PR 1LW, PR 1LB, not ceramic disc	Diesel/el éc.	4WD	2967	210	286	07.18-12.19	■	
3.0 TDI quattro	discØ 400, Rim 19, PR 1LV, PR LB, PR 1LW, PR 1LB, not ceramic disc	Diesel	4WD	2967	160	218	08.15-12.19	■	
3.0 TDI quattro	discØ 400, Rim 19, PR 1LV, PR LB, PR 1LW, PR 1LB, not ceramic disc	Diesel	4WD	2967	200	272	01.15-12.19	■	
4.0 SQ7 TDI quattro	PR 1LB, PR 1LV, PR 1LW, discØ 400, PR 1LT, PR 1ZC, PR 1ZY, PR 1LF, not ceramic disc	Diesel	4WD	3956	320	435	04.16-	■	
Q7 II (4MB, 4MG, 4MQ) 01.15-						SUV (Luxury Crossover SUV-J Segment)			
45 TFSI quattro	PR 1LB, PR 1LV, PR 1LW, PR 1ZY, PR 1LF, PR 1ZC, PR 1ZD, discØ 400, not ceramic disc, PR 1LT, discØ 420	Gasolina	4WD	1984	180	245	03.20-	■	
2.0 TFSI quattro (CYMC)	discØ 400, Rim 19, PR 1LV, PR LB, PR 1LW, PR 1LB, not ceramic disc	Gasolina	4WD	1984	185	252	08.15-	■	
2.0 TFSI quattro (CYRB)	discØ 400, Rim 19, PR 1LV, PR LB, PR 1LW, PR 1LB, not ceramic disc	Gasolina	4WD	1984	185	252	08.15-	■	
45 TFSI quattro		Gasolina	4WD	1984	195	265	11.22-	■	
3.0 TFSI quattro (CREC)	PR 1LB, PR 1LV, PR 1LW, discØ 400, not ceramic disc	Gasolina	4WD	2995	245	333	01.15-12.19	■	
55 TFSI quattro (DCBD)	PR 1LB, PR 1LV, PR 1LW, PR 1ZY, PR 1LF, PR 1ZC, PR 1ZD, discØ 400, not ceramic disc PR 1LT, discØ 420	Gasolina	4WD	2995	250	340	03.20-	■	
55 TFSI quattro (DCBE)	PR 1LV, PR 1LW, PR 1LB, PR 1ZC, PR 1ZY, PR 1LF	Gasolina	4WD	2995	250	340	01.21-	■	
SQ7 quattro (DCUE)	PR 1LV, PR 1LW, PR 1LB, PR 1ZC, PR 1ZY, PR 1LF	Gasolina	4WD	3996	373	507	02.20-	■	
SQ7 quattro (DCUE)	PR 1LT, discØ 420	Gasolina	4WD	3996	373	507	02.20-	■	

LISTA DE APLICACIONES - BUYERS GUIDE

2.0 TFSI e-tron quattro (CVJA)	PR 1LB, PR 1LV, PR 1LW, discØ 400, not ceramic disc	Gasol./el éc.	4WD	1984	270	367	02.16-12.19	■	
55 TFSI Mild Hybrid quattro (DCBD)	PR 1LB, PR 1LV, PR 1LW, PR 1ZY, PR 1ZC, PR 1ZD, PR 1LF, PR 1LT, discØ 400, not ceramic disc	Gasol./el éc.	4WD	2995	250	340	07.19-	■	
60 TFSI e quattro (DCBE)	PR 1LB, PR 1LV, PR 1LW, PR 1ZY, PR 1LF, PR 1ZC, PR 1ZD, discØ 400, not ceramic disc, PR 1LT, discØ 420	Gasol./el éc.	4WD	2995	250	340	11.19-	■	
55 TFSI e quattro	PR 1LB, PR 1LV, PR 1LW, PR 1ZY, PR 1LF, PR 1ZC, PR 1ZD, discØ 400, not ceramic disc	Gasol./el éc.	4WD	2995	280	381	11.19-	■	
55 TFSI e quattro		Gasol./el éc.	4WD	2995	290	394	04.24-	■	
60 TFSI e quattro (DCBE)	PR 1LB, PR 1ZC, PR 1ZD, PR 1ZY, discØ 400, PR 1LV, PR 1LW, PR 1LF, not ceramic disc	Gasol./el éc.	4WD	2995	335	455	11.19-	■	
60 TFSI e quattro		Gasol./el éc.	4WD	2995	340	462	10.20-	■	
60 TFSI e quattro		Gasol./el éc.	4WD	2995	360	489	04.24-	■	
45 TDI Mild Hybrid quattro (DHXC)	PR 1LV, PR 1LW, PR 1LB, not ceramic disc	Diesel/el éc.	4WD	2967	170	231	07.18-	■	
50 TDI Mild Hybrid quattro (DHXA)	discØ 400, PR 1LV, PR 1LW, PR 1LB, not ceramic disc	Diesel/el éc.	4WD	2967	210	286	07.18-	■	
3.0 TDI e-tron quattro (CVZA)	discØ 400, Rim 19, PR 1LV, PR LB, PR 1LW, PR 1LB, not ceramic disc	Diesel/el éc.	4WD	2967	275	374	08.15-12.19	■	
3.0 TDI quattro (CZZB)	discØ 400, Rim 19, PR 1LV, PR LB, PR 1LW, PR 1LB, not ceramic disc	Diesel	4WD	2967	155	211	08.15-12.19	■	
3.0 TDI quattro (CRTE)	discØ 400, Rim 19, PR 1LV, PR LB, PR 1LW, PR 1LB, not ceramic disc	Diesel	4WD	2967	160	218	06.15-12.19	■	
3.0 TDI quattro (CZZA)	discØ 400, Rim 19, PR 1LV, PR LB, PR 1LW, PR 1LB, not ceramic disc	Diesel	4WD	2967	160	218	06.15-12.19	■	
3.0 TDI quattro (CVMD)	discØ 400, Rim 19, PR 1LV, PR LB, PR 1LW, PR 1LB, not ceramic disc	Diesel	4WD	2967	183	249	06.15-12.19	■	
45 TDI quattro	PR 1LB, PR 1LV, PR 1LW, discØ 400, not ceramic disc	Diesel	4WD	2967	183	249	07.19-	■	
3.0 TDI quattro (CUEA)	discØ 400, Rim 19, PR 1LV, PR LB, PR 1LW, PR 1LB, not ceramic disc	Diesel	4WD	2967	190	258	08.15-12.19	■	
3.0 TDI quattro (CRTC)	discØ 400, Rim 19, PR 1LV, PR LB, PR 1LW, PR 1LB, not ceramic disc	Diesel	4WD	2967	200	272	01.15-12.19	■	
SQ7 TDI quattro (CZAC)	PR 1LB, PR 1LV, PR 1LW, discØ 400, PR 1LT, PR 1ZC, PR 1ZY, PR 1LF, not ceramic disc	Diesel	4WD	3956	320	435	04.16-	■	
Q8 (4MN, 4MT) 02.18-						SUV (Luxury Crossover SUV-J Segment)			
45 TFSI	PR 1ZC, PR 1ZD, discØ 400, PR 1ZY, PR 1LF, PR 1LT, discØ 420	Gasolina	4WD	1984	180	245	07.20-	■	
45 TFSI quattro	discØ 400, PR 1ZC, PR 1ZD, not ceramic disc	Gasolina	4WD	1984	180	245	10.19-	■	
SQ8 quattro (DCUE)	discØ 400, PR 1ZD, PR 1ZC, PR 1ZY, PR 1LF, not ceramic disc	Gasolina	4WD	3996	373	507	02.20-	■	
55 TFSI Mild Hybrid quattro (DCBD)	PR 1LB, PR 1LW, discØ 400, PR 1ZC, PR 1ZD, not ceramic disc	Gasol./el éc.	4WD	2995	250	340	02.18-	■	
55 TFSI e quattro	discØ 400, PR 1ZC, PR 1ZD, PR 1ZY, PR 1LF, not ceramic disc	Gasol./el éc.	4WD	2995	280	381	10.20-	■	
55 TFSI e quattro	discØ 400, PR 1ZC, PR 1ZD, PR 1ZY, PR 1LF, not ceramic disc	Gasol./el éc.	4WD	2995	280	381	11.20-	■	

LISTA DE APLICACIONES - BUYERS GUIDE

60 TFSI e quattro	discØ 420 discØ 400, PR 1ZC, PR 1ZD, PR 1ZY, PR 1LF, not ceramic disc	Gasol./el éc.	4WD	2995	340	462	10.20-	■
60 TFSI e quattro	discØ 400, PR 1ZC, PR 1ZD, PR 1ZY, PR 1LF, not ceramic disc	Gasol./el éc.	4WD	2995	340	462	11.20-	■
60 TFSI e quattro		Gasol./el éc.	4WD	2995	360	489	04.24-	■
SQ8 Mild Hybrid quattro (DCUE)	PR 1ZC, PR 1ZD, PR 1ZY, PR 1LF, not ceramic disc	Gasol./el éc.	4WD	3996	373	507	02.20-	■
RS FSI Mild Hybrid quattro (DHUB)	PR 1ZC, PR 1ZD, discØ 400 PR 1LT, discØ 420, not ceramic disc	Gasol./el éc.	4WD	3996	441	600	09.19-	■
45 TDI Mild Hybrid quattro (DHXC)	PR 1LB, PR 1LW, discØ 400, PR 1ZC, PR 1ZD, not ceramic disc	Diesel/el éc.	4WD	2967	170	231	07.18-	■
50 TDI Mild Hybrid quattro (DHXA)	PR 1LB, PR 1LW, discØ 400, PR 1ZC, PR 1ZD, not ceramic disc	Diesel/el éc.	4WD	2967	210	286	07.18-	■
SQ8 TDI Mild Hybrid quattro (DHVA)	discØ 400, PR 1ZD, PR 1ZC, PR 1ZY, not ceramic disc	Diesel/el éc.	4WD	3956	320	435	05.18-	■
45 TDI quattro	PR 1LB, PR 1LW, discØ 400, PR 1ZC, PR 1ZD, not ceramic disc	Diesel	4WD	2967	183	249	02.18-	■

VW

TOUAREG III (CR7, RC8) 11.17-				SUV (Luxury Crossover SUV-J Segment)				
2.0 TSI 4motion	PR 1LV	Gasolina	4WD	1984	180	245	08.18-11.22	■
2.0 TFSI 4motion (CYRC)	PR 1LV	Gasolina	4WD	1984	183	249	05.18-11.23	■
2.0 TSI 4motion	PR 1LV	Gasolina	4WD	1984	185	252	09.18-11.23	■
3.0 TSI 4motion (DCBE)	PR 1LV	Gasolina	4WD	2995	250	340	03.18-	■
eHybrid 4motion (DFKA)	PR 1LF, PR 1LV	Gasol./el éc.	4WD	1984	185	252	11.20-	■
eHybrid 4motion (DFKA)	PR 1LF, PR 1LV	Gasol./el éc.	4WD	1984	270	367	11.20-06.22	■
3.0 eHybrid 4motion	discØ 400, PR 1LF, PR 1LV	Gasol./el éc.	4WD	2995	280	381	11.20-	■
3.0 R 4motion	discØ 400, PR 1LF, PR 1LV	Gasol./el éc.	4WD	2995	340	462	09.20-	■
3.0 TDI 4motion (DEND)	ch- CRZJD000001, discØ 400, PR 1LV	Diesel	4WD	2967	170	231	05.18-	■
3.0 TDI 4motion (CVMD)	PR 1LV	Diesel	4WD	2967	183	249	01.18-11.23	■
3.0 TDI 4motion	PR 1LV	Diesel	4WD	2967	190	258	11.17-	■
3.0 TDI 4motion (DENA)	PR 1LV	Diesel	4WD	2967	210	286	11.17-	■
4.0 V8 TDI 4motion (DMVB)	PR 1LV, discØ 400	Diesel	4WD	3956	310	421	06.19-11.21	■