

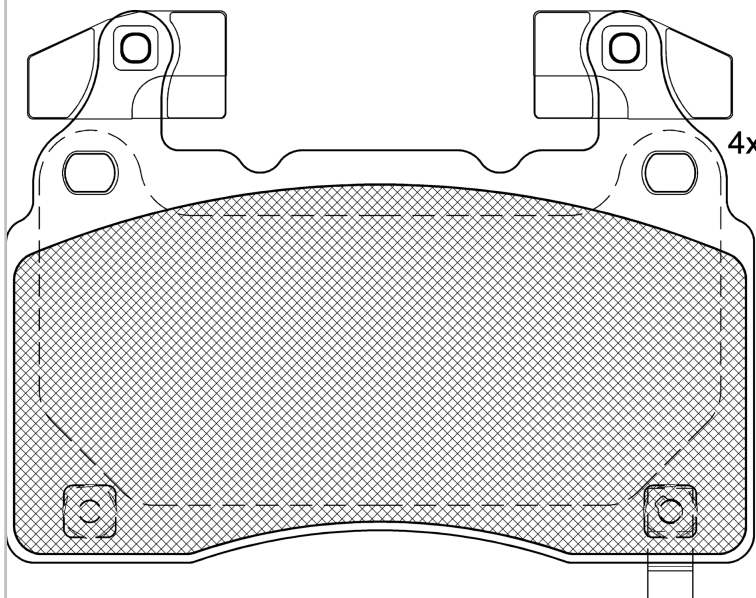
LISTA DE APLICACIONES - BUYERS GUIDE

182286



Qty: 300

Weight: 2.715



182286

E 9 90R-02A0111/4893



Brembo

131.8x97.1x15.6

O.E.M.	MAKE
2 344 130 7	VAUXHALL
2290 7156	CHEVROLET
2297 6409	CHEVROLET
23 441 307	OPEL
2344 1307	CHEVROLET
6006429-00-B	Tesla
84732488	CHEVROLET
85115094	CHEVROLET
9224 4289	CHEVROLET
9227 7173	CHEVROLET
9229 1022	CHEVROLET

WVA	FMSI
25915	D1474-8673
MAKE	
BUICK (SGM)	
CADILLAC	
CHEVROLET	
HOLDEN	
OPEL	
Tesla	
VAUXHALL	



Trac.	CC	Kw	CV
-------	----	----	----



Front / Rear

BUICK (SGM)

REGAL III (EG7) 07.17-							Saloon (Large family car-D Segment)		
20t	Rim 18	Gasolina	FWD	1490	125	170	07.17-	■	
28T	Rim 18	Gasolina	FWD	10998	192	261	07.17-	■	
30 H	Rim 18	Gasol./el éc.	FWD	1796	94	128	07.17-	■	

CADILLAC

CT6 11.15-							Saloon (Luxury car-F Segment)		
2.0 Turbo		Gasolina	RWD	1998	198	269	08.16-12.19	■	
2.0 Turbo		Gasolina	FWD	1998	203	276	11.15-	■	
2.0 Turbo		Gasolina	FWD	1998	203	276	11.15-	■	
3.0 Turbo		Gasolina	FWD	2990	298	405	11.15-	■	
3.0 Turbo AWD (LGW)		Gasolina	4WD	2990	298	405	11.15-12.19	■	
3.0 Turbo AWD (LGW)		Gasolina	4WD	2990	301	409	08.16-12.19	■	
3.0 Turbo AWD (LGW)		Gasolina	4WD	2990	307	418	01.16-12.19	■	
3.6		Gasolina	FWD	3564	250	340	11.15-	■	
3.6 AWD (LGX)		Gasolina	4WD	3649	250	340	11.15-12.20	■	

CTS III 09.13-							Saloon (Executive car-E Segment)		
2.0 Turbo	Syst. J56	Gasolina	RWD	1998	198	269	08.16-	■	
2.0 Turbo AWD	Syst. J56	Gasolina	4WD	1998	198	269	08.16-	■	
2.0 Turbo	Syst. J56	Gasolina	RWD	1998	200	272	08.16-	■	
2.0 Turbo AWD	Syst. J56	Gasolina	4WD	1998	200	272	08.16-	■	
2.0 Turbo (LTG)	Syst. J56	Gasolina	RWD	1998	203	276	09.13-	■	
2.0 Turbo AWD (LTG)	Syst. J56	Gasolina	4WD	1998	203	276	01.14-	■	

LISTA DE APLICACIONES - BUYERS GUIDE

XTS (1P5) 09.11-						Saloon (Luxury car-F Segment)			
3.6 (LFX)	Eq.V_ XTS	Gasolina	FWD	3564	227	309	09.11-	■	
CHEVROLET									
CAMARO V 01.11-						Convertible (Pony car-F Segment)			
6.2 (L99(376CUV8))		Gasolina	RWD	6162	298	405	01.11-	■	
6.2 (LS3(376CUV8))		Gasolina	RWD	6162	318	432	01.11-	■	
CAMARO V 02.09-12.15						Coupe (Pony car-F Segment)			
6.2		Gasolina	RWD	6162	295	401	03.12-12.15	■	
6.2 (L99(376CUV8))		Gasolina	RWD	6162	298	405	09.09-12.15	■	
6.2 (LS3(376CUV8))		Gasolina	RWD	6162	318	432	09.09-12.15	■	
CAMARO VI 09.15-						Convertible (Pony car-F Segment)			
2.0 Turbo (LTG)	5JL, Performance brakes	Gasolina	RWD	1998	202	275	08.16-	■	
3.6 (LGX)	J6G	Gasolina	RWD	3649	250	340	05.16-	■	
6.2 (LT1(376CUV8))	J6G	Gasolina	RWD	6162	333	453	06.16-	■	
6.2 (LT1(376CUV8))	J6G	Gasolina	RWD	6162	339	461	01.16-	■	
CAMARO VI 09.15-						Coupe (Pony car-F Segment)			
2.0 Turbo	5JL, Performance brakes	Gasolina	RWD	1998	175	238	01.16-	■	
2.0 Turbo (LTG)	5JL, Performance brakes	Gasolina	RWD	1998	202	275	08.16-	■	
6.2 (LT1(376CUV8))	J6G	Gasolina	RWD	6162	333	453	06.16-	■	
6.2 (LT1(376CUV8))	J6G	Gasolina	RWD	6162	339	461	09.15-	■	
CORVETTE VII (C7) 09.13-						Convertible (Sports car-S Segment)			
6.2 (LT1(376CUV8))	not reinforced brak.	Gasolina	RWD	6162	339	461	09.13-11.19	■	
6.2 (LT1(376CUV8))		Gasolina	RWD	6162	343	466	04.14-12.19	■	
CORVETTE VII (C7) 09.13-						Coupe (Sports car-S Segment)			
6.2	not reinforced brak.	Gasolina	RWD	6162	336	457	09.13-11.19	■	
6.2 (LT1(376CUV8))	not reinforced brak.	Gasolina	RWD	6162	339	461	09.13-11.19	■	
6.2 (LT1(376CUV8))	not reinforced brak.	Gasolina	RWD	6162	343	466	04.14-12.19	■	
SS 09.13-						Saloon (Luxury car-F Segment)			
6.2		Gasolina	FWD	6162	309	420	09.13-	■	
HOLDEN									
COMMODORE (ZB) 10.17-						Estate (Executive car-E Segment)			
2.0	Rim 18	Gasolina	FWD	1998	191	260	10.17-	■	
3.6 V6	Rim 18	Gasolina	FWD	3640	235	320	10.17-	■	
COMMODORE (ZB) 10.17-						Hatchback (Executive car-E Segment)			
2.0	Rim 18	Gasolina	FWD	1998	191	260	10.17-	■	
3.6 V6	Rim 18	Gasolina	FWD	3640	235	320	10.17-	■	
2.0 D	Rim 18	Diesel	FWD	1956	125	170	10.17-	■	
2.0 D	Rim 18	Diesel	FWD	1956	125	170	10.17-	■	
OPEL									
INSIGNIA B Country Tourer (Z18) 06.17-						Estate (Executive car-E Segment)			
1.5 (47) (B 15 SFT)	Eq.V_ RP0 JQ5, Rim 18	Gasolina	FWD	1490	121	165	06.17-	■	
1.5 (47) (D 15 SFT)	Eq.V_ RP0 JQ5, Rim 18	Gasolina	FWD	1490	121	165	06.17-	■	
1.6 Turbo (47) (D 16 SHT)	Rim 18	Gasolina	FWD	1598	147	200	06.18-	■	
2.0 4x4 (47) (B 20 NFT)	Eq.V_ RP0 JQ5, Rim 18	Gasolina	4WD	1998	191	260	06.17-	■	
2.0 4x4 (47) (D 20 NFT)	Eq.V_ RP0 JQ5, Rim 18	Gasolina	4WD	1998	191	260	06.17-	■	
2.0 CDTi (47) (D 20 DTH)	Eq.V_ RP0 JQ5, Rim 18	Diesel	FWD	1956	125	170	06.17-	■	
2.0 CDTi 4x4 (47) (D 20 DTH)	Eq.V_ RP0 JQ5, Rim 18	Diesel	4WD	1956	125	170	06.17-	■	

LISTA DE APLICACIONES - BUYERS GUIDE

2.0 BiTurbo Diesel 4x4 (68) (D 20 DTR)	Eq.V_ RP0 JQ5, Rim 18	Diesel	4WD	1956	154	210	01.18-	■	
INSIGNIA B Grand Sport (Z18) 03.17-					Hatchback (Executive car-E Segment)				
1.4 Turbo (68) (F 14 SHL)	Rim 18	Gasolina	FWD	1342	107	145	04.20-	■	
1.4 Turbo (68) (F 14 SHT)	Rim 18	Gasolina	FWD	1342	107	145	04.20-	■	
1.5 (68) (B 15 SFL)	Eq.V_ RP0 JQ5, Rim 18	Gasolina	FWD	1490	103	140	03.17-	■	
1.5 (68) (D 15 SFL)	Eq.V_ RP0 JQ5, Rim 18	Gasolina	FWD	1490	103	140	03.17-	■	
1.5 (68) (B 15 SFT)	Eq.V_ RP0 JQ5, Rim 18	Gasolina	FWD	1490	121	165	03.17-	■	
1.5 (68) (D 15 SFT)	Eq.V_ RP0 JQ5, Rim 18	Gasolina	FWD	1490	121	165	03.17-	■	
1.6 Turbo (68) (D 16 SHT)	Rim 18	Gasolina	FWD	1598	147	200	06.18-	■	
2.0 (68)	Rim 18	Gasolina	FWD	1998	147	200	04.20-	■	
2.0 GSi 4x4 (68)	Rim 18	Gasolina	4WD	1998	169	230	04.20-	■	
2.0 4x4 (68) (B 20 NFT)	Eq.V_ RP0 JQ5, Rim 18	Gasolina	4WD	1998	191	260	03.17-	■	
2.0 4x4 (68) (D 20 NFT)	Eq.V_ RP0 JQ5, Rim 18	Gasolina	4WD	1998	191	260	03.17-	■	
1.5 CDTi (68) (F 15 DVH)	Rim 18	Diesel	FWD	1496	90	122	02.20-	■	
1.6 CDTi (68) (B 16 DTE)	Eq.V_ RP0 JQ5, Rim 18	Diesel	FWD	1598	81	110	03.17-	■	
1.6 CDTi (68) (D 16 DTE)	Eq.V_ RP0 JQ5, Rim 18	Diesel	FWD	1598	81	110	03.17-	■	
1.6 CDTi (68) (D 16 DTN)	Eq.V_ RP0 JQ5, Rim 18	Diesel	FWD	1598	81	110	03.17-	■	
1.6 CDTi (68) (B 16 DTH)	Eq.V_ RP0 JQ5, Rim 18	Diesel	FWD	1598	100	136	03.17-	■	
1.6 CDTi (68) (D 16 DTH)	Eq.V_ RP0 JQ5, Rim 18	Diesel	FWD	1598	100	136	03.17-	■	
2.0 CDTi (68) (B 20 DTH)	Eq.V_ RP0 JQ5, Rim 18	Diesel	FWD	1956	125	170	03.17-	■	
2.0 CDTi (68) (D 20 DTH)	Eq.V_ RP0 JQ5, Rim 18	Diesel	FWD	1956	125	170	03.17-	■	
2.0 CDTi 4x4 (68) (D 20 DTH)	Eq.V_ RP0 JQ5, Rim 18	Diesel	4WD	1956	125	170	03.17-	■	
2.0 CDTi (68)	Rim 18	Diesel	FWD	1956	128	174	04.20-	■	
2.0 CDTi 4x4 (68)	Rim 18	Diesel	4WD	1956	128	174	04.20-	■	
2.0 BiTurbo Diesel 4x4 (68) (D 20 DTR)	Eq.V_ RP0 JQ5, Rim 18	Diesel	4WD	1956	154	210	03.17-	■	
INSIGNIA B Sports Tourer (Z18) 03.17-					Estate (Executive car-E Segment)				
1.5 (35) (B 15 SFL)	Eq.V_ RP0 JQ5, Rim 18	Gasolina	FWD	1490	103	140	03.17-	■	
1.5 (35) (D 15 SFL)	Eq.V_ RP0 JQ5, Rim 18	Gasolina	FWD	1490	103	140	03.17-	■	
1.5 (35) (B 15 SFT)	Eq.V_ RP0 JQ5, Rim 18	Gasolina	FWD	1490	121	165	03.17-	■	
1.5 (35) (D 15 SFT)	Eq.V_ RP0 JQ5, Rim 18	Gasolina	FWD	1490	121	165	03.17-	■	
1.6 Turbo (35) (D 16 SHT)	Rim 18	Gasolina	FWD	1598	147	200	06.18-	■	
2.0 (35)	Rim 18	Gasolina	FWD	1998	147	200	04.20-	■	
2.0 4x4 (35)	Rim 18	Gasolina	4WD	1998	169	230	04.20-	■	
2.0 4x4 (35) (B 20 NFT)	Eq.V_ RP0 JQ5, Rim 18	Gasolina	4WD	1998	191	260	03.17-	■	
2.0 4x4 (35) (D 20 NFT)	Eq.V_ RP0 JQ5, Rim 18	Gasolina	4WD	1998	191	260	03.17-	■	
1.5 CDTi (35) (F 15 DVH)	Rim 18	Diesel	FWD	1496	90	122	02.20-	■	
1.6 CDTi (35) (B 16 DTE)	Eq.V_ RP0 JQ5, Rim 18	Diesel	FWD	1598	81	110	03.17-	■	
1.6 CDTi (35) (D 16 DTE)	Eq.V_ RP0 JQ5, Rim 18	Diesel	FWD	1598	81	110	03.17-	■	
1.6 CDTi (35) (D 16 DTN)	Eq.V_ RP0 JQ5, Rim 18	Diesel	FWD	1598	81	110	03.17-	■	
1.6 CDTi (35) (B 16 DTH)	Eq.V_ RP0 JQ5, Rim 18	Diesel	FWD	1598	100	136	03.17-	■	
1.6 CDTi (35) (D 16 DTH)	Eq.V_ RP0 JQ5, Rim 18	Diesel	FWD	1598	100	136	03.17-	■	
2.0 CDTi (35) (B 20 DTH)	Eq.V_ RP0 JQ5, Rim 18	Diesel	FWD	1956	125	170	03.17-	■	
2.0 CDTi (35) (D 20 DTH)	Eq.V_ RP0 JQ5, Rim 18	Diesel	FWD	1956	125	170	03.17-	■	
2.0 CDTi 4x4 (35) (D 20 DTH)	Eq.V_ RP0 JQ5, Rim 18	Diesel	4WD	1956	125	170	03.17-	■	
2.0 BiTurbo Diesel 4x4 (68) (D 20 DTR)	Eq.V_ RP0 JQ5, Rim 18	Diesel	4WD	1956	154	210	03.17-	■	
2.0 CDTi 4x4 (35)		Diesel	4WD	1956	154	210	04.20-	■	
2.0 CDTi (35)	Rim 18	Diesel	FWD	1995	128	174	04.20-	■	
INSIGNIA B Sports Tourer Combi Van (Z18) 03.17-					Estate Van (Executive car-E Segment)				
CDTi ECOTEC (B 16 DTH)	Eq.V_ RP0 JQ5, Rim 18	Diesel	FWD	1598	100	136	03.17-	■	
CDTi ECOTEC (D 16 DTH)	Eq.V_ RP0 JQ5, Rim 18	Diesel	FWD	1598	100	136	03.17-	■	

LISTA DE APLICACIONES - BUYERS GUIDE

Tesla									
MODEL S 09.12-					Hatchback (Luxury car-F Segment)				
P85D	-01/15	Gasolina	FWD		508	691	10.14-		■
60 (L1S)		Eléctrico	RWD		225	306	11.13-09.14		■
60D AWD (L2S)	-01/15	Eléctrico	4WD		276	376	10.14-04.15		■
85D AWD (L2S)	-01/15	Eléctrico	4WD		276	376	10.14-02.16		■
P85 (L1S)		Eléctrico	RWD		310	421	11.13-12.14		■
P85D AWD (L2S)	-01/15	Eléctrico	4WD		515	700	10.14-02.16		■
VAUXHALL									
INSIGNIA Mk II (B) (Z18) 03.17-					Hatchback (Executive car-E Segment)				
1.5 (68) (B 15 SFL)	Eq.V_ RP0 JQ5, Rim 18	Gasolina	FWD	1490	103	140	03.17-		■
1.5 (68) (D 15 SFL)	Eq.V_ RP0 JQ5, Rim 18	Gasolina	FWD	1490	103	140	03.17-		■
1.5 (68) (B 15 SFT)	Eq.V_ RP0 JQ5, Rim 18	Gasolina	FWD	1490	121	165	03.17-		■
1.5 (68) (D 15 SFT)	Eq.V_ RP0 JQ5, Rim 18	Gasolina	FWD	1490	121	165	03.17-		■
1.6 Turbo (68) (D 16 SHT)	Rim 18	Gasolina	FWD	1598	147	200	06.18-		■
2.0 GSi 4x4	Rim 18	Gasolina	4WD	1998	169	230	04.20-		■
2.0 4x4 (68) (B 20 NFT)	Eq.V_ RP0 JQ5, Rim 18	Gasolina	4WD	1998	191	260	03.17-		■
1.6 D (68) (B 16 DTE)	Eq.V_ RP0 JQ5, Rim 18	Diesel	FWD	1598	81	110	03.17-		■
1.6 D (68) (D 16 DTE)	Eq.V_ RP0 JQ5, Rim 18	Diesel	FWD	1598	81	110	03.17-		■
1.6 D (68) (D 16 DTN)	Eq.V_ RP0 JQ5, Rim 18	Diesel	FWD	1598	81	110	03.17-		■
1.6 D (68) (B 16 DTH)	Eq.V_ RP0 JQ5, Rim 18	Diesel	FWD	1598	100	136	03.17-		■
1.6 D (68) (D 16 DTH)	Eq.V_ RP0 JQ5, Rim 18	Diesel	FWD	1598	100	136	03.17-		■
2.0 D (68) (B 20 DTH)	Eq.V_ RP0 JQ5, Rim 18	Diesel	FWD	1956	125	170	03.17-		■
2.0 D (68) (D 20 DTH)	Eq.V_ RP0 JQ5, Rim 18	Diesel	FWD	1956	125	170	03.17-		■
2.0 D A las 4 ruedas (68)	Eq.V_ RP0 JQ5, Rim 18	Diesel	4WD	1956	125	170	03.17-		■
2.0 GSi 4x4 (68) (D 20 DTR)	Eq.V_ RP0 JQ5, Rim 18	Diesel	4WD	1956	154	209	07.17-		■
INSIGNIA Mk II (B) Country Tourer (Z18) 03.17-					Estate (Executive car-E Segment)				
2.0 D (47) (D 20 DTH)	Eq.V_ RP0 JQ5, Rim 18	Diesel	FWD	1956	125	170	03.17-		■
2.0 D 4x4 (47) (B 20 DTH)	Eq.V_ RP0 JQ5, Rim 18	Diesel	4WD	1956	125	170	09.17-		■
2.0 D 4x4 (47) (D 20 DTH)	Eq.V_ RP0 JQ5, Rim 18	Diesel	4WD	1956	125	170	09.17-		■
2.0 GSi 4x4 (47) (D 20 DTR)	Eq.V_ RP0 JQ5, Rim 18	Diesel	4WD	1956	154	209	07.17-		■
INSIGNIA Mk II (B) Sports Tourer (Z18) 03.17-					Estate (Executive car-E Segment)				
1.5 (35) (B 15 SFL)	Eq.V_ RP0 JQ5, Rim 18	Gasolina	FWD	1490	103	140	03.17-		■
1.5 (35) (D 15 SFL)	Eq.V_ RP0 JQ5, Rim 18	Gasolina	FWD	1490	103	140	03.17-		■
1.5 (35) (B 15 SFT)	Eq.V_ RP0 JQ5, Rim 18	Gasolina	FWD	1490	121	165	03.17-		■
1.5 (35) (D 15 SFT)	Eq.V_ RP0 JQ5, Rim 18	Gasolina	FWD	1490	121	165	03.17-		■
1.6 Turbo (35) (D 16 SHT)	Rim 18	Gasolina	FWD	1598	147	200	06.18-		■
2.0 4x4 (35) (B 20 NFT)	Eq.V_ RP0 JQ5, Rim 18	Gasolina	4WD	1998	191	260	03.17-		■
1.6 D (35) (B 16 DTE)	Eq.V_ RP0 JQ5, Rim 18	Diesel	FWD	1598	81	110	03.17-		■
1.6 D (35) (D 16 DTE)	Eq.V_ RP0 JQ5, Rim 18	Diesel	FWD	1598	81	110	03.17-		■
1.6 D (35) (D 16 DTN)	Eq.V_ RP0 JQ5, Rim 18	Diesel	FWD	1598	81	110	03.17-		■
1.6 D (35) (B 16 DTH)	Eq.V_ RP0 JQ5, Rim 18	Diesel	FWD	1598	100	136	03.17-		■
1.6 D (35) (D 16 DTH)	Eq.V_ RP0 JQ5, Rim 18	Diesel	FWD	1598	100	136	03.17-		■
2.0 D (35) (B 20 DTH)	Eq.V_ RP0 JQ5, Rim 18	Diesel	FWD	1956	125	170	03.17-		■
2.0 D (35) (D 20 DTH)	Eq.V_ RP0 JQ5, Rim 18	Diesel	FWD	1956	125	170	03.17-		■
2.0 D 4x4 (35)	Eq.V_ RP0 JQ5, Rim 18	Diesel	4WD	1956	125	170	06.17-		■
2.0 GSi 4x4 (35) (D 20 DTR)	Eq.V_ RP0 JQ5, Rim 18	Diesel	4WD	1956	154	209	07.17-		■