

LISTA DE APLICACIONES - BUYERS GUIDE

182289

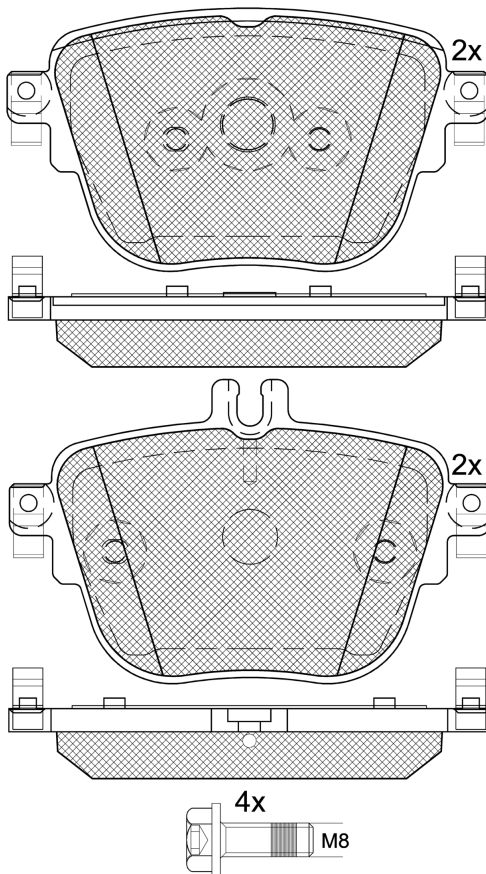


8 424073 172198

Qty: 300

Weight: 1.500

O.E.M.	MAKE
000 420 62 00	MERCEDES-BENZ
000 420 63 00	MERCEDES-BENZ
000 420 79 03	MERCEDES-BENZ



1-Ref. 690173 E

182289

E 9 90R-02A0111/4906



Trw

114.1x62.4x17.3
114.1x72.1x17.3

WVA
22792
22793

MAKE
MERCEDES-BENZ
MERCEDES-BENZ (BBDC)



	Trac.	CC	Kw	CV			Front / Rear
--	-------	----	----	----	--	--	--------------

MERCEDES-BENZ

CLS-Class III (C257) 12.17-						Coupe (Executive car-E Segment)		
CLS 350 EQ Boost (257.350) (M 264.920)		Gasol./el éc.	RWD	1991	220	299	08.18-	■
CLS 350 EQ Boost 4-matic (257.351) (M 264.920)		Gasol./el éc.	4WD	1991	220	299	08.18-	■
CLS 350 d 4-matic (257.321) (OM 656.929)		Diesel	4WD	2925	183	249	12.17-	■
CLS 350 d (257.320) (OM 656.929)		Diesel	RWD	2925	210	286	08.18-	■
CLS 350 d 4-matic (257.321) (OM 656.929)		Diesel	4WD	2925	210	286	12.17-	■
CLS 400 d 4-matic (257.323) (OM 656.929)		Diesel	4WD	2925	243	330	06.20-	■
CLS 400 d 4-matic (257.323) (OM 656.929)		Diesel	4WD	2925	250	340	12.17-	■
E-Class V (A238) 06.17-						Convertible (Executive car-E Segment)		
E 350 EQ Boost (238.485) (M 264.920)	SA M014	Gasol./el éc.	RWD	1991	220	299	10.17-	■
E 350 d (238.420) (OM 656.929)		Diesel	RWD	2925	210	286	11.18-	■
E 400 d 4-matic (238.423) (OM 656.929)		Diesel	4WD	2925	243	330	07.20-	■
E 400 d 4-matic (238.423) (OM 656.929)		Diesel	4WD	2925	250	340	08.18-	■
E 350 d 4-matic (238.434) (OM 642.873)		Diesel	4WD	2987	190	258	06.17-	■
E-Class V (C238) 12.16-						Coupe (Executive car-E Segment)		
E 350 4matic (238.386)		Gasolina	4WD	1991	220	299	09.18-	■
E 350 EQ Boost (238.385) (M 264.920)	SA M014	Gasol./el éc.	RWD	1991	220	299	10.17-	■
E 350 d (238.320) (OM 656.929)		Diesel	RWD	2925	210	286	11.18-	■
E 400 d 4-matic (238.323) (OM 656.929)		Diesel	4WD	2925	243	330	07.20-	■
E 400 d 4-matic (238.323) (OM 656.929)		Diesel	4WD	2925	250	340	08.18-	■
E 350 d 4-matic (238.334) (OM 642.873)		Diesel	4WD	2987	190	258	06.17-	■

LISTA DE APLICACIONES - BUYERS GUIDE

E-Class V (W213) 01.16-					Saloon (Executive car-E Segment)			
E 350 4-matic (213.086)		Gasolina	4WD	1991	190	258	04.19-	■
E 300 e (213.053) (M 274.920)		Gasol./el éc.	RWD	1991	155	211	11.18-	■
E 300 e 4-matic (213.054) (M 264.920)		Gasol./el éc.	4WD	1991	155	211	07.20-	■
E 300 e 4-matic (213.054) (M 274.920)		Gasol./el éc.	4WD	1991	155	211	07.20-	■
E 350 e (213.050) (M 274.920)		Gasol./el éc.	RWD	1991	155	211	07.16-	■
E 350 e (213.050) (M 274.920)		Gasol./el éc.	RWD	1991	210	286	07.16-06.19	■
E 350 EQ Boost (213.085) (M 264.920)		Gasol./el éc.	RWD	1991	220	299	08.18-10.23	■
E 300 e (213.053) (M 274.920)		Gasol./el éc.	RWD	1991	235	320	11.18-10.23	■
E 300 e 4-matic (213.054) (M 274.920)		Gasol./el éc.	4WD	1991	235	320	07.20-10.23	■
E 350 e (213.050) (M 274.920)		Gasol./el éc.	RWD	1991	235	320	09.16-06.19	■
E 300 de (213.016) (OM 654.920)		Diesel/el éc.	RWD	1950	143	194	10.18-	■
E 300 de 4-matic (213.011) (OM 654.920)		Diesel/el éc.	4WD	1950	143	194	06.20-	■
E 300 de (213.016) (OM 654.920)		Diesel/el éc.	RWD	1950	225	306	10.18-10.23	■
E 300 de 4-matic (213.011) (OM 654.920)		Diesel/el éc.	4WD	1950	225	306	06.20-08.23	■
E 350 d (213.022) (OM 656.929)		Diesel	RWD	2925	210	286	08.18-06.20	■
E 400 d 4-matic (213.023) (OM 656.929)		Diesel	4WD	2925	243	330	06.20-10.23	■
E 400 d (213.020) (OM 656.929)		Diesel	RWD	2925	250	340	12.18-06.20	■
E 400 d 4-matic (213.023) (OM 656.929)		Diesel	4WD	2925	250	340	04.18-10.23	■
E 350 d (213.033) (OM 642.855)	Rim 18	Diesel	RWD	2987	190	258	01.16-05.18	■
E 350 d 4-matic (213.034) (OM 642.873)		Diesel	4WD	2987	190	258	06.17-05.18	■
E-Class V All-Terrain (S213) 01.17-					Estate (Executive car-E Segment)			
E 400 d 4-matic (213.227) (OM 656.929)		Diesel	4WD	2925	243	330	07.20-10.23	■
E 400 d 4-matic (213.227) (OM 656.929)		Diesel	4WD	2925	250	340	08.18-10.23	■
E 350 d 4-matic (213.237) (OM 642.873)		Diesel	4WD	2987	190	258	06.17-05.18	■
E-Class V T-Model (S213) 07.16-					Estate (Executive car-E Segment)			
E 300 e (213.253) (M 274.920)		Gasol./el éc.	RWD	1991	155	211	06.20-	■
E 300 e (213.253) (M 274.920)		Gasol./el éc.	RWD	1991	235	320	06.20-08.23	■
E 350 d (213.222) (OM 656.929)		Diesel	RWD	2925	210	286	08.18-06.20	■
E 400 d 4-matic (213.223) (OM 656.929)		Diesel	4WD	2925	243	330	07.20-10.23	■
E 400 d (213.220) (OM 656.929)		Diesel	RWD	2925	250	340	02.19-06.20	■
E 400 d 4-matic (213.223) (OM 656.929)		Diesel	4WD	2925	250	340	04.18-10.23	■
E 350 d (213.233) (OM 642.855)		Diesel	RWD	2987	190	258	10.16-05.18	■
E 350 d 4-matic (213.234) (OM 642.873)		Diesel	4WD	2987	190	258	06.17-05.18	■
MERCEDES-BENZ (BBDC)								
E-Class (W213) 01.16-					Saloon (Executive car-E Segment)			
E 300 E (213.153)		Gasol./el éc.	RWD	1991	155	211	11.19-	■
E 350 L EQ Boost 4-matic (213.186)		Gasol./el éc.	4WD	1991	220	299	03.19-	■