

LISTA DE APLICACIONES - BUYERS GUIDE

182291

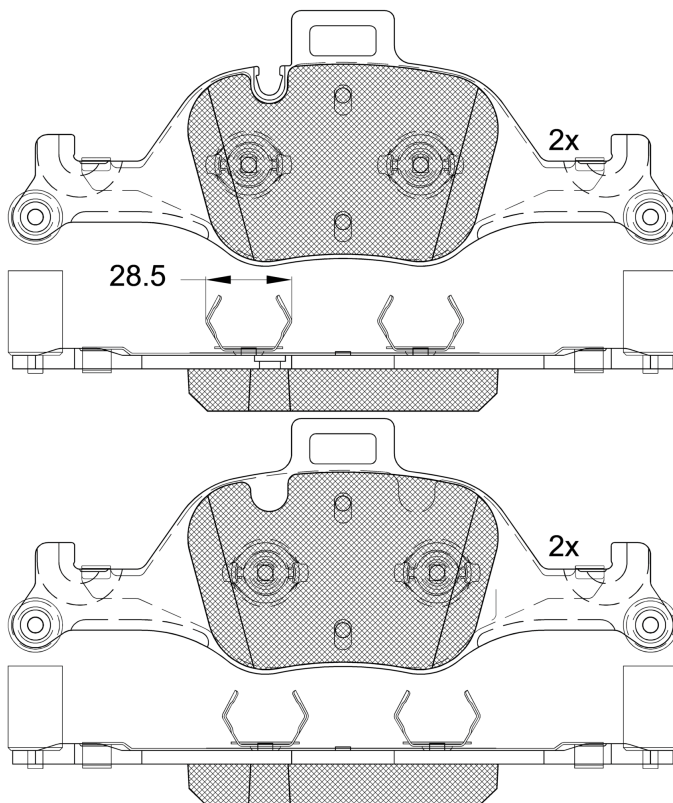


8 424073 174468

Qty: 300

Weight: 2.820

| O.E.M. | MAKE |
|-----------------|------|
| 34 10 6 883 469 | BMW |
| 34 10 6 888 482 | BMW |
| 34 10 6 898 192 | BMW |
| 34 10 6 898 266 | BMW |
| 34 11 6 875 396 | BMW |
| 34 11 6 875 397 | BMW |
| 34 11 6 883 469 | BMW |
| 34 11 6 883 470 | BMW |



182291

E 9 90R-02A0111/4596



Ate - Teves

222.06x84.8x19.2

| WVA | FMSI |
|------------------|------------|
| 25900 | D2060-9293 |
| 25901 | |
| MAKE | |
| ALPINA | |
| BMW | |
| BMW (BRILLIANCE) | |



| Trac. | CC | Kw | CV |
|-------|----|----|----|
|-------|----|----|----|



Front / Rear

ALPINA

| | | | | | | Saloon (Compact executive car-D Segment) | | | |
|------------------------------------|--|---------------|-----|------|-----|--|-------------|---|--|
| B3 VII (G20) 09.19- | | | | | | | | | |
| BITURBO A las 4 ruedas | | Gasolina | 4WD | 2993 | 340 | 462 | 09.19-12.25 | ■ | |
| B3 VII Touring (G21) 09.19- | | | | | | Estate (Compact executive car-D Segment) | | | |
| BITURBO A las 4 ruedas | | Gasolina | 4WD | 2993 | 340 | 462 | 09.19-12.25 | ■ | |
| D3 III (G20) 05.20- | | | | | | Saloon (Compact executive car-D Segment) | | | |
| S (B57 D30 B) | | Diesel/el éc. | 4WD | 2993 | 261 | 355 | 05.20-12.25 | ■ | |
| D3 III Touring (G21) 05.20- | | | | | | Estate (Compact executive car-D Segment) | | | |
| S (B57 D30 B) | | Diesel/el éc. | 4WD | 2993 | 261 | 355 | 05.20-12.25 | ■ | |

BMW

| | | | | | | Coupe (Compact car-C Segment) | | | | |
|---|--|-----------|---------------|-----|------|--|-----|--------|---|--|
| 2 Serie II (G42, G87) 08.21- | | | | | | | | | | |
| 230 i | | discØ 348 | Gasolina | RWD | 1998 | 180 | 245 | 04.22- | ■ | |
| 3 Serie VII (G20, G80, G28) 11.18- | | | | | | Saloon (Compact executive car-D Segment) | | | | |
| 330i | | | Gasolina | RWD | 1998 | 180 | 245 | 07.22- | ■ | |
| 330 i xDrive | | | Gasolina | 4WD | 1998 | 180 | 245 | 07.22- | ■ | |
| 330i (B46 B20 B) | | | Gasolina | RWD | 1998 | 190 | 258 | 11.18- | ■ | |
| 330i (B48 B20 B) | | | Gasolina | RWD | 1998 | 190 | 258 | 11.18- | ■ | |
| 330 i xDrive (B46 B20 B) | | | Gasolina | 4WD | 1998 | 190 | 258 | 11.18- | ■ | |
| 330 i xDrive (B48 B20 B) | | | Gasolina | 4WD | 1998 | 190 | 258 | 11.18- | ■ | |
| 330 e Plug-in-Hybrid (B46 B20 B) | | | Gasol./el éc. | RWD | 1998 | 135 | 184 | 07.19- | ■ | |

LISTA DE APLICACIONES - BUYERS GUIDE

| | | | | | | | | |
|--|---------------------------|------------------|-----|------|---|-----|-------------|---|
| 330 e Plug-in-Hybrid (B48 B20 A) | | Gasol./el éc. | RWD | 1998 | 135 | 184 | 07.19- | ■ |
| 330 e Plug-in-Hybrid (B48 B20 B) | | Gasol./el éc. | RWD | 1998 | 135 | 184 | 07.19- | ■ |
| 330 e Plug-in-Hybrid (GC1) | | Gasol./el éc. | RWD | 1998 | 135 | 184 | 07.19- | ■ |
| 330 e Plug-in-Hybrid xDrive (B46 B20 B) | | Gasol./el éc. | 4WD | 1998 | 135 | 184 | 07.20- | ■ |
| 330 e Plug-in-Hybrid xDrive (B48 B20 A) | | Gasol./el éc. | 4WD | 1998 | 135 | 184 | 07.20- | ■ |
| 330 e Plug-in-Hybrid xDrive (GC1) | | Gasol./el éc. | 4WD | 1998 | 135 | 184 | 07.20- | ■ |
| 330 e Plug-in-Hybrid (B46 B20 B) | | Gasol./el éc. | RWD | 1998 | 185 | 252 | 07.19-02.20 | ■ |
| 330 e Plug-in-Hybrid (B48 B20 A) | | Gasol./el éc. | RWD | 1998 | 185 | 252 | 07.19-02.20 | ■ |
| 330 e Plug-in-Hybrid (B48 B20 B) | | Gasol./el éc. | RWD | 1998 | 185 | 252 | 07.19-02.20 | ■ |
| 330 e Plug-in-Hybrid (GC1) | | Gasol./el éc. | RWD | 1998 | 185 | 252 | 07.19-02.20 | ■ |
| 330 e Plug-in-Hybrid (B46 B20 B) | not M technique | Gasol./el éc. | RWD | 1998 | 215 | 292 | 07.19- | ■ |
| 330 e Plug-in-Hybrid (B48 B20 B) | not M technique | Gasol./el éc. | RWD | 1998 | 215 | 292 | 07.19- | ■ |
| 330 e Plug-in-Hybrid (GC1) | not M technique | Gasol./el éc. | RWD | 1998 | 215 | 292 | 07.19- | ■ |
| 330 e Plug-in-Hybrid xDrive (B46 B20 B) | | Gasol./el éc. | 4WD | 1998 | 215 | 292 | 07.20- | ■ |
| 330 e Plug-in-Hybrid xDrive (B48 B20 A) | | Gasol./el éc. | 4WD | 1998 | 215 | 292 | 07.20- | ■ |
| 330 e Plug-in-Hybrid xDrive (GC1) | | Gasol./el éc. | 4WD | 1998 | 215 | 292 | 07.20- | ■ |
| 330 d Mild-Hybrid (B57 D30 B) | discØ 348, Syst. Standard | Diesel/el éc. | RWD | 2993 | 210 | 286 | 11.20- | ■ |
| 330 d Mild-Hybrid (JA1) | discØ 348, Syst. Standard | Diesel/el éc. | RWD | 2993 | 210 | 286 | 11.20- | ■ |
| 330 d Mild-Hybrid xDrive (B57 D30 B) | discØ 348, Syst. Standard | Diesel/el éc. | 4WD | 2993 | 210 | 286 | 11.20- | ■ |
| 330 d Mild-Hybrid xDrive (JA1) | discØ 348, Syst. Standard | Diesel/el éc. | 4WD | 2993 | 210 | 286 | 11.20- | ■ |
| 330 d (B57 D30 A) | | Diesel | RWD | 2993 | 195 | 265 | 03.19- | ■ |
| 330 d xDrive (B57 D30 A) | | Diesel | 4WD | 2993 | 195 | 265 | 07.19- | ■ |
| 3 Serie VII Touring (G21, G81) 07.19- | | | | | Estate (Compact executive car-D Segment) | | | |
| 330i | | Gasolina | RWD | 1998 | 180 | 245 | 07.19- | ■ |
| 330 i xDrive | | Gasolina | 4WD | 1998 | 180 | 245 | 07.19- | ■ |
| 330i (B48 B20 B) | | Gasolina | RWD | 1998 | 190 | 258 | 07.19- | ■ |
| 330 i xDrive (B48 B20 B) | | Gasolina | 4WD | 1998 | 190 | 258 | 07.19- | ■ |
| 330 e Plug-in-Hybrid (B48 B20 A) | | Gasol./el éc. | RWD | 1998 | 135 | 184 | 07.20- | ■ |
| 330 e Plug-in-Hybrid (GC1) | | Gasol./el éc. | RWD | 1998 | 135 | 184 | 07.20- | ■ |
| 330 e Plug-in-Hybrid xDrive (B48 B20 A) | | Gasol./el éc. | 4WD | 1998 | 135 | 184 | 07.20- | ■ |
| 330 e Plug-in-Hybrid xDrive (GC1) | | Gasol./el éc. | 4WD | 1998 | 135 | 184 | 07.20- | ■ |
| 330 e Plug-in-Hybrid (B48 B20 A) | | Gasol./el éc. | RWD | 1998 | 215 | 292 | 07.20- | ■ |
| 330 e Plug-in-Hybrid (GC1) | | Gasol./el éc. | RWD | 1998 | 215 | 292 | 07.20- | ■ |
| 330 e Plug-in-Hybrid xDrive (B48 B20 A) | | Gasol./el éc. | 4WD | 1998 | 215 | 292 | 07.20- | ■ |
| 330 e Plug-in-Hybrid xDrive (GC1) | | Gasol./el éc. | 4WD | 1998 | 215 | 292 | 07.20- | ■ |
| 330 d Mild-Hybrid (B57 D30 B) | discØ 348, Syst. Standard | Diesel/el éc. | RWD | 2993 | 210 | 286 | 11.20- | ■ |
| 330 d Mild-Hybrid (JA1) | discØ 348, Syst. Standard | Diesel/el éc. | RWD | 2993 | 210 | 286 | 11.20- | ■ |

LISTA DE APLICACIONES - BUYERS GUIDE

| | | | | | | | | | |
|---|--|---------------|-----|------|--|-----|--------|---|--|
| 330 d Mild-Hybrid xDrive (B57 D30 B) | discØ 348, Syst. Standard | Diesel/el éc. | 4WD | 2993 | 210 | 286 | 11.20- | ■ | |
| 330 d Mild-Hybrid xDrive (JA1) | discØ 348, Syst. Standard | Diesel/el éc. | 4WD | 2993 | 210 | 286 | 11.20- | ■ | |
| 330 d (B57 D30 A) | not M technique | Diesel | RWD | 2993 | 195 | 265 | 11.19- | ■ | |
| 330 d xDrive (B57 D30 A) | | Diesel | 4WD | 2993 | 195 | 265 | 07.19- | ■ | |
| 3 Serie VII Touring Van (G21) 07.19- | | | | | Estate Van (Compact executive car-D Segment) | | | | |
| 330i (B48 B20 B) | | Gasolina | RWD | 1998 | 190 | 258 | 07.19- | ■ | |
| 330 d (B57 D30 A) | not M technique | Diesel | RWD | 2993 | 195 | 265 | 11.19- | ■ | |
| 330 d xDrive (B57 D30 A) | | Diesel | 4WD | 2993 | 195 | 265 | 11.19- | ■ | |
| 4 Serie II (G23, G83) 11.20- | | | | | Convertible (Compact executive car-D Segment) | | | | |
| 420 i (B48 B20 A) | not M technique | Gasolina | RWD | 1998 | 135 | 184 | 11.20- | ■ | |
| 430 i | discØ 348 | Gasolina | RWD | 1998 | 180 | 245 | 07.21- | ■ | |
| 430 i xDrive | discØ 348 | Gasolina | 4WD | 1998 | 180 | 245 | 07.21- | ■ | |
| 430 i (B46 B20 B) | not M technique, Syst. Standard, discØ 348 | Gasolina | RWD | 1998 | 190 | 258 | 11.20- | ■ | |
| 430 i (B48 B20 B) | not M technique, Syst. Standard, discØ 348 | Gasolina | RWD | 1998 | 190 | 258 | 11.20- | ■ | |
| 420 d Mild-Hybrid (B47 D20 B) | not M technique | Diesel/el éc. | RWD | 1995 | 140 | 190 | 11.20- | ■ | |
| 420 d Mild-Hybrid (JA1) | not M technique | Diesel/el éc. | RWD | 1995 | 140 | 190 | 11.20- | ■ | |
| 430 d Mild-Hybrid (B57 D30 B) | not M technique, Performance brakes, discØ 348, Syst. standard | Diesel/el éc. | RWD | 2993 | 210 | 286 | 07.21- | ■ | |
| 430 d Mild-Hybrid (JA1) | not M technique, Performance brakes, discØ 348, Syst. standard | Diesel/el éc. | RWD | 2993 | 210 | 286 | 07.21- | ■ | |
| 4 Serie II (G22, G82) 07.20- | | | | | Coupe (Compact executive car-D Segment) | | | | |
| 420 i (B46 B20 B) | not M technique | Gasolina | RWD | 1998 | 135 | 184 | 07.20- | ■ | |
| 420 i (B48 B20 A) | not M technique | Gasolina | RWD | 1998 | 135 | 184 | 07.20- | ■ | |
| 420 i | not M technique | Gasolina | RWD | 1998 | 135 | 184 | 07.21- | ■ | |
| 430 i | discØ 348 | Gasolina | RWD | 1998 | 180 | 245 | 07.21- | ■ | |
| 430 i | not M technique, Syst. Standard, discØ 348 | Gasolina | RWD | 1998 | 180 | 245 | 07.21- | ■ | |
| 430 i xDrive | discØ 348 | Gasolina | 4WD | 1998 | 180 | 245 | 07.21- | ■ | |
| 430 i xDrive | | Gasolina | 4WD | 1998 | 180 | 245 | 03.22- | ■ | |
| 430 i (B46 B20 B) | not M technique, Syst. Standard, discØ 348 | Gasolina | RWD | 1998 | 190 | 258 | 07.20- | ■ | |
| 430 i (B48 B20 B) | not M technique, Syst. Standard, discØ 348 | Gasolina | RWD | 1998 | 190 | 258 | 07.20- | ■ | |
| 430 i xDrive (B46 B20 B) | Syst. standard, discØ 348 | Gasolina | 4WD | 1998 | 190 | 258 | 07.20- | ■ | |
| 430 i | | Gasol./el éc. | RWD | 1998 | 190 | 258 | 07.24- | ■ | |
| 430 i Mild-Hybrid xDrive | | Gasol./el éc. | 4WD | 1998 | 190 | 258 | 07.24- | ■ | |
| i4 eDrive35 | | Eléctrico | RWD | | 210 | 286 | 11.22- | ■ | |
| i4 eDrive40 | Syst. STANDARD | Eléctrico | RWD | | 250 | 340 | 11.21- | ■ | |
| i4 xDrive40 | | Eléctrico | 4WD | | 295 | 401 | 07.24- | ■ | |
| 420 d Mild-Hybrid (B47 D20 B) | not M technique | Diesel/el éc. | RWD | 1995 | 120 | 163 | 07.20- | ■ | |
| 420 d Mild-Hybrid (JA1) | not M technique | Diesel/el éc. | RWD | 1995 | 120 | 163 | 07.20- | ■ | |
| 420 d Mild-Hybrid xDrive (B47 D20 B) | not M technique | Diesel/el éc. | 4WD | 1995 | 120 | 163 | 07.20- | ■ | |
| 420 d Mild-Hybrid xDrive (JA1) | not M technique | Diesel/el éc. | 4WD | 1995 | 120 | 163 | 07.20- | ■ | |
| 420 d Mild-Hybrid (B47 D20 B) | not M technique | Diesel/el éc. | RWD | 1995 | 140 | 190 | 07.20- | ■ | |
| 420 d Mild-Hybrid (JA1) | not M technique | Diesel/el éc. | RWD | 1995 | 140 | 190 | 07.20- | ■ | |

LISTA DE APLICACIONES - BUYERS GUIDE

| | | | | | | | | | |
|---|--|---------------|-----|------|---|-----|-------------|---|--|
| 420 d Mild-Hybrid | not M technique | Diesel/el éc. | RWD | 1995 | 140 | 190 | 07.21- | ■ | |
| 420 d Mild-Hybrid xDrive (B47 D20 B) | not M technique | Diesel/el éc. | 4WD | 1995 | 140 | 190 | 07.20- | ■ | |
| 420 d Mild-Hybrid xDrive (JA1) | not M technique | Diesel/el éc. | 4WD | 1995 | 140 | 190 | 07.20- | ■ | |
| 420 d Mild-Hybrid xDrive | not M technique | Diesel/el éc. | 4WD | 1995 | 140 | 190 | 07.21- | ■ | |
| 430 d Mild-Hybrid xDrive (B57 D30 B) | Syst. Standard, discØ 348 | Diesel/el éc. | 4WD | 2993 | 210 | 286 | 03.21- | ■ | |
| 430 d Mild-Hybrid xDrive (JA1) | Syst. Standard, discØ 348 | Diesel/el éc. | 4WD | 2993 | 210 | 286 | 03.21- | ■ | |
| 5 Serie VII (G30, F90) 09.16- | | | | | Saloon (Executive car-E Segment) | | | | |
| 530i | discØ 348 | Gasolina | RWD | 1998 | 180 | 245 | 05.22-06.23 | ■ | |
| 530 i xDrive | discØ 348 | Gasolina | 4WD | 1998 | 180 | 245 | 05.22-06.23 | ■ | |
| 530 i xDrive (B48 B20 B) | | Gasolina | 4WD | 1998 | 183 | 249 | 09.16-06.23 | ■ | |
| 530i (B46 B20 B) | discØ 348 | Gasolina | RWD | 1998 | 185 | 252 | 09.16-06.20 | ■ | |
| 530i (B48 B20 B) | discØ 348 | Gasolina | RWD | 1998 | 185 | 252 | 09.16-06.20 | ■ | |
| 530 i xDrive (B46 B20 B) | discØ 348 | Gasolina | 4WD | 1998 | 185 | 252 | 09.16-06.20 | ■ | |
| 530 i xDrive (B48 B20 B) | discØ 348 | Gasolina | 4WD | 1998 | 185 | 252 | 09.16-06.20 | ■ | |
| 540 i (B58 B30 A) | | Gasolina | RWD | 2998 | 250 | 340 | 09.16-06.20 | ■ | |
| 540 i (B58 B30 C) | | Gasolina | RWD | 2998 | 250 | 340 | 09.16-06.20 | ■ | |
| 540 i xDrive (B58 B30 A) | discØ 348 | Gasolina | 4WD | 2998 | 250 | 340 | 09.16-06.20 | ■ | |
| 540 i (B58 B30 A) | discØ 348 | Gasolina | RWD | 2998 | 265 | 360 | 09.16-06.20 | ■ | |
| 540 i xDrive (B58 B30 A) | discØ 348 | Gasolina | 4WD | 2998 | 265 | 360 | 09.16-06.20 | ■ | |
| 520 E PLUG-IN-HYBRID | | Gasol./el éc. | RWD | 1998 | 120 | 163 | 03.21- | ■ | |
| 530 e Plug-in-Hybrid (B48 B20 A) | discØ 348 | Gasol./el éc. | RWD | 1998 | 120 | 163 | 07.19- | ■ | |
| 530 e Plug-in-Hybrid (GC1) | discØ 348 | Gasol./el éc. | RWD | 1998 | 120 | 163 | 07.19- | ■ | |
| 530 e Plug-in-Hybrid xDrive (B48 B20 A) | | Gasol./el éc. | 4WD | 1998 | 120 | 163 | 07.19- | ■ | |
| 530 e Plug-in-Hybrid xDrive (GC1) | | Gasol./el éc. | 4WD | 1998 | 120 | 163 | 07.19- | ■ | |
| 520 i Mild-Hybrid (B48 B20 A) | | Gasol./el éc. | RWD | 1998 | 135 | 184 | 07.20-06.23 | ■ | |
| 520 i Mild-Hybrid (JA1) | | Gasol./el éc. | RWD | 1998 | 135 | 184 | 07.20-06.23 | ■ | |
| 530 e Plug-in-Hybrid (B46 B20 B) | | Gasol./el éc. | RWD | 1998 | 135 | 184 | 03.17- | ■ | |
| 530 e Plug-in-Hybrid (B48 B20 A) | | Gasol./el éc. | RWD | 1998 | 135 | 184 | 03.17- | ■ | |
| 530 e Plug-in-Hybrid (GC1) | | Gasol./el éc. | RWD | 1998 | 135 | 184 | 03.17- | ■ | |
| 530 e Plug-in-Hybrid xDrive (B46 B20 B) | | Gasol./el éc. | 4WD | 1998 | 135 | 184 | 03.17- | ■ | |
| 530 e Plug-in-Hybrid xDrive (B48 B20 A) | | Gasol./el éc. | 4WD | 1998 | 135 | 184 | 03.17- | ■ | |
| 530 e Plug-in-Hybrid xDrive (GC1) | | Gasol./el éc. | 4WD | 1998 | 135 | 184 | 03.17- | ■ | |
| 520 E PLUG-IN-HYBRID | | Gasol./el éc. | RWD | 1998 | 150 | 204 | 03.21-05.22 | ■ | |
| 530 e Plug-in-Hybrid (B48 B20 A) | not M technique, discØ 348, not Performance brak | Gasol./el éc. | RWD | 1998 | 170 | 231 | 07.19-06.20 | ■ | |
| 530 e Plug-in-Hybrid (GC1) | not M technique, discØ 348, not Performance brak | Gasol./el éc. | RWD | 1998 | 170 | 231 | 07.19-06.20 | ■ | |
| 530 e Plug-in-Hybrid xDrive (B48 B20 A) | not M technique | Gasol./el éc. | 4WD | 1998 | 170 | 231 | 07.19-06.23 | ■ | |
| 530 e Plug-in-Hybrid xDrive (GC1) | not M technique | Gasol./el éc. | 4WD | 1998 | 170 | 231 | 07.19-06.23 | ■ | |
| 530 i Mild-Hybrid | | Gasol./el éc. | RWD | 1998 | 180 | 245 | 05.22-06.23 | ■ | |
| 530 i Mild-Hybrid xDrive | | Gasol./el éc. | 4WD | 1998 | 180 | 245 | 05.22-06.23 | ■ | |

LISTA DE APLICACIONES - BUYERS GUIDE

| | | | | | | | | |
|---|---------------------------------------|---------------|-----|------|-----|-----|-------------|---|
| 530e Plug-in Hybrid (B46 B20 B) | | Gasol./el éc. | RWD | 1998 | 185 | 252 | 03.17-06.20 | ■ |
| 530e Plug-in Hybrid (B48 B20 A) | | Gasol./el éc. | RWD | 1998 | 185 | 252 | 03.17-06.20 | ■ |
| 530e Plug-in Hybrid (GC1) | | Gasol./el éc. | RWD | 1998 | 185 | 252 | 03.17-06.20 | ■ |
| 530 e Plug-in-Hybrid xDrive (B46 B20 B) | not M technique, not Performance brak | Gasol./el éc. | 4WD | 1998 | 185 | 252 | 03.17-06.23 | ■ |
| 530 e Plug-in-Hybrid xDrive (B48 B20 A) | not M technique, not Performance brak | Gasol./el éc. | 4WD | 1998 | 185 | 252 | 03.17-06.23 | ■ |
| 530 e Plug-in-Hybrid xDrive (GC1) | not M technique, not Performance brak | Gasol./el éc. | 4WD | 1998 | 185 | 252 | 03.17-06.23 | ■ |
| 530 i Mild-Hybrid (B48 B20 B) | | Gasol./el éc. | RWD | 1998 | 185 | 252 | 07.20-06.23 | ■ |
| 530 i Mild-Hybrid (JA1) | | Gasol./el éc. | RWD | 1998 | 185 | 252 | 07.20-06.23 | ■ |
| 530 i Mild-Hybrid xDrive (B48 B20 B) | discØ 348, not M technique | Gasol./el éc. | 4WD | 1998 | 185 | 252 | 07.20-06.23 | ■ |
| 530 i Mild-Hybrid xDrive (JA1) | discØ 348, not M technique | Gasol./el éc. | 4WD | 1998 | 185 | 252 | 07.20-06.23 | ■ |
| 530 e Plug-in-Hybrid (B48 B20 A) | discØ 348 | Gasol./el éc. | RWD | 1998 | 200 | 272 | 07.20-06.23 | ■ |
| 530 e Plug-in-Hybrid (GC1) | discØ 348 | Gasol./el éc. | RWD | 1998 | 200 | 272 | 07.20-06.23 | ■ |
| 530 e Plug-in-Hybrid xDrive (B48 B20 A) | | Gasol./el éc. | 4WD | 1998 | 200 | 272 | 07.20-06.23 | ■ |
| 530 e Plug-in-Hybrid xDrive (GC1) | | Gasol./el éc. | 4WD | 1998 | 200 | 272 | 07.20-06.23 | ■ |
| 530 e Plug-in-Hybrid (B46 B20 B) | not M technique | Gasol./el éc. | RWD | 1998 | 215 | 292 | 07.20-06.23 | ■ |
| 530 e Plug-in-Hybrid (B48 B20 A) | not M technique | Gasol./el éc. | RWD | 1998 | 215 | 292 | 07.20-06.23 | ■ |
| 530 e Plug-in-Hybrid (GC1) | not M technique | Gasol./el éc. | RWD | 1998 | 215 | 292 | 07.20-06.23 | ■ |
| 530 e Plug-in-Hybrid xDrive (B46 B20 B) | not M technique | Gasol./el éc. | 4WD | 1998 | 215 | 292 | 07.20-06.23 | ■ |
| 530 e Plug-in-Hybrid xDrive (B48 B20 A) | not M technique | Gasol./el éc. | 4WD | 1998 | 215 | 292 | 07.20-06.23 | ■ |
| 530 e Plug-in-Hybrid xDrive (GC1) | not M technique | Gasol./el éc. | 4WD | 1998 | 215 | 292 | 07.20-06.23 | ■ |
| 540 i Mild-Hybrid (B58 B30 C) | | Gasol./el éc. | RWD | 2998 | 245 | 333 | 07.20-05.23 | ■ |
| 540 i Mild-Hybrid (JA1) | | Gasol./el éc. | RWD | 2998 | 245 | 333 | 07.20-05.23 | ■ |
| 540 i Mild-Hybrid xDrive (B58 B30 C) | | Gasol./el éc. | 4WD | 2998 | 245 | 333 | 07.20-06.23 | ■ |
| 540 i Mild-Hybrid xDrive (JA1) | | Gasol./el éc. | 4WD | 2998 | 245 | 333 | 07.20-06.23 | ■ |
| 530 d Mild-Hybrid (B57 D30 B) | discØ 348, SA S212A | Diesel/el éc. | RWD | 2993 | 183 | 249 | 07.20-06.23 | ■ |
| 530 d Mild-Hybrid (JA1) | discØ 348, SA S212A | Diesel/el éc. | RWD | 2993 | 183 | 249 | 07.20-06.23 | ■ |
| 530 d Mild-Hybrid xDrive (B57 D30 B) | not M technique, SA S212A, discØ 348 | Diesel/el éc. | 4WD | 2993 | 183 | 249 | 07.20-06.23 | ■ |
| 530 d Mild-Hybrid xDrive (JA1) | not M technique, SA S212A, discØ 348 | Diesel/el éc. | 4WD | 2993 | 183 | 249 | 07.20-06.23 | ■ |
| 530 d Mild-Hybrid (B57 D30 B) | | Diesel/el éc. | RWD | 2993 | 210 | 286 | 07.20-06.23 | ■ |
| 530 d Mild-Hybrid (JA1) | | Diesel/el éc. | RWD | 2993 | 210 | 286 | 07.20-06.23 | ■ |
| 530 d Mild-Hybrid xDrive (B57 D30 B) | | Diesel/el éc. | 4WD | 2993 | 210 | 286 | 07.20-06.23 | ■ |
| 530 d Mild-Hybrid xDrive (JA1) | | Diesel/el éc. | 4WD | 2993 | 210 | 286 | 07.20-06.23 | ■ |
| 525 d (B47 D20 B) | | Diesel | RWD | 1995 | 155 | 211 | 07.17-06.19 | ■ |
| 525 d (B47 D20 B) | | Diesel | RWD | 1995 | 170 | 231 | 07.17-06.19 | ■ |
| 530 d xDrive (B57 D30 A) | | Diesel | 4WD | 2993 | 183 | 249 | 09.16-06.20 | ■ |
| 530 d (B57 D30 A) | not sport chassis, discØ 348 | Diesel | RWD | 2993 | 195 | 265 | 09.16-06.20 | ■ |
| 530 d xDrive (B57 D30 A) | not sport chassis, discØ 348 | Diesel | 4WD | 2993 | 195 | 265 | 09.16-06.20 | ■ |

LISTA DE APLICACIONES - BUYERS GUIDE

| | | | | | | | | |
|---|---------------------------|------------------|-----|------|---|-----|-------------|---|
| 540 d xDrive (B57 D30 A) | | Diesel | 4WD | 2993 | 235 | 320 | 07.17-06.20 | ■ |
| 540 d xDrive (B57 D30 B) | | Diesel | 4WD | 2993 | 235 | 320 | 07.17-06.20 | ■ |
| 540 d xDrive (G4NA) | | Diesel | 4WD | 2993 | 235 | 320 | 07.17-06.20 | ■ |
| 5 Serie VII Touring (G31) 03.17- | | | | | Estate (Executive car-E Segment) | | | |
| 530i | discØ 348 | Gasolina | RWD | 1998 | 180 | 245 | 05.22- | ■ |
| 530 i xDrive | discØ 348 | Gasolina | 4WD | 1998 | 180 | 245 | 05.22- | ■ |
| 530i (B48 B20 B) | | Gasolina | RWD | 1998 | 185 | 252 | 03.17-06.20 | ■ |
| 530 i xDrive (B48 B20 B) | | Gasolina | 4WD | 1998 | 185 | 252 | 07.17-06.20 | ■ |
| 540 i xDrive (B58 B30 A) | | Gasolina | 4WD | 2998 | 250 | 340 | 03.17-06.20 | ■ |
| 540 i xDrive (B58 B30 A) | | Gasolina | 4WD | 2998 | 265 | 360 | 03.17-06.20 | ■ |
| 520 E PLUG-IN-HYBRID | | Gasol./el éc. | RWD | 1998 | 120 | 163 | 03.21- | ■ |
| 530 e Plug-in-Hybrid (B48 B20 A) | discØ 348, Syst. Standard | Gasol./el éc. | RWD | 1998 | 120 | 163 | 11.20- | ■ |
| 530 e Plug-in-Hybrid (GC1) | discØ 348, Syst. Standard | Gasol./el éc. | RWD | 1998 | 120 | 163 | 11.20- | ■ |
| 530 e Plug-in-Hybrid xDrive (B48 B20 A) | discØ 348, Syst. Standard | Gasol./el éc. | 4WD | 1998 | 120 | 163 | 11.20- | ■ |
| 530 e Plug-in-Hybrid xDrive (GC1) | discØ 348, Syst. Standard | Gasol./el éc. | 4WD | 1998 | 120 | 163 | 11.20- | ■ |
| 530 e Plug-in-Hybrid (B48 B20 A) | discØ 348, Syst. Standard | Gasol./el éc. | RWD | 1998 | 135 | 184 | 11.20- | ■ |
| 530 e Plug-in-Hybrid (GC1) | discØ 348, Syst. Standard | Gasol./el éc. | RWD | 1998 | 135 | 184 | 11.20- | ■ |
| 530 e Plug-in-Hybrid xDrive (B48 B20 A) | discØ 348, Syst. Standard | Gasol./el éc. | 4WD | 1998 | 135 | 184 | 11.20- | ■ |
| 530 e Plug-in-Hybrid xDrive (GC1) | discØ 348, Syst. Standard | Gasol./el éc. | 4WD | 1998 | 135 | 184 | 11.20- | ■ |
| 520 E PLUG-IN-HYBRID | | Gasol./el éc. | RWD | 1998 | 150 | 204 | 03.21-05.22 | ■ |
| 530 i Mild-Hybrid (B48 B20 B) | discØ 348 | Gasol./el éc. | RWD | 1998 | 180 | 245 | 07.22- | ■ |
| 530 i Mild-Hybrid xDrive (B48 B20 B) | discØ 348 | Gasol./el éc. | 4WD | 1998 | 180 | 245 | 07.22- | ■ |
| 530 i Mild-Hybrid (B48 B20 B) | | Gasol./el éc. | RWD | 1998 | 185 | 252 | 07.20- | ■ |
| 530 i Mild-Hybrid (JA1) | | Gasol./el éc. | RWD | 1998 | 185 | 252 | 07.20- | ■ |
| 530 i Mild-Hybrid xDrive (B48 B20 B) | | Gasol./el éc. | 4WD | 1998 | 185 | 252 | 07.20- | ■ |
| 530 i Mild-Hybrid xDrive (JA1) | | Gasol./el éc. | 4WD | 1998 | 185 | 252 | 07.20- | ■ |
| 530 e Plug-in-Hybrid (B48 B20 A) | discØ 348, Syst. Standard | Gasol./el éc. | RWD | 1998 | 200 | 272 | 11.20- | ■ |
| 530 e Plug-in-Hybrid (GC1) | discØ 348, Syst. Standard | Gasol./el éc. | RWD | 1998 | 200 | 272 | 11.20- | ■ |
| 530 e Plug-in-Hybrid xDrive (B48 B20 A) | discØ 348, Syst. Standard | Gasol./el éc. | 4WD | 1998 | 200 | 272 | 11.20- | ■ |
| 530 e Plug-in-Hybrid xDrive (GC1) | discØ 348, Syst. Standard | Gasol./el éc. | 4WD | 1998 | 200 | 272 | 11.20- | ■ |
| 530 e Plug-in-Hybrid (B48 B20 A) | discØ 348, Syst. Standard | Gasol./el éc. | RWD | 1998 | 215 | 292 | 11.20- | ■ |
| 530 e Plug-in-Hybrid (GC1) | discØ 348, Syst. Standard | Gasol./el éc. | RWD | 1998 | 215 | 292 | 11.20- | ■ |
| 530 e Plug-in-Hybrid xDrive (B48 B20 A) | | Gasol./el éc. | 4WD | 1998 | 215 | 292 | 11.20- | ■ |
| 530 e Plug-in-Hybrid xDrive (GC1) | | Gasol./el éc. | 4WD | 1998 | 215 | 292 | 11.20- | ■ |
| 540 i Mild-Hybrid xDrive (B58 B30 C) | | Gasol./el éc. | 4WD | 2998 | 245 | 333 | 07.20- | ■ |
| 540 i Mild-Hybrid xDrive (JA1) | | Gasol./el éc. | 4WD | 2998 | 245 | 333 | 07.20- | ■ |
| 530 d Mild-Hybrid (B57 D30 B) | discØ 348, SA S212A | Diesel/el éc. | RWD | 2993 | 183 | 249 | 07.20- | ■ |
| 530 d Mild-Hybrid (JA1) | discØ 348, SA S212A | Diesel/el éc. | RWD | 2993 | 183 | 249 | 07.20- | ■ |

LISTA DE APLICACIONES - BUYERS GUIDE

| | | | | | | | | | |
|---|---------------------|---------------|-----|------|---|-----|-------------|---|--|
| 530 d Mild-Hybrid xDrive (B57 D30 B) | discØ 348, SA S212A | Diesel/el éc. | 4WD | 2993 | 183 | 249 | 07.20- | ■ | |
| 530 d Mild-Hybrid xDrive (JA1) | discØ 348, SA S212A | Diesel/el éc. | 4WD | 2993 | 183 | 249 | 07.20- | ■ | |
| 530 d Mild-Hybrid (B57 D30 B) | | Diesel/el éc. | RWD | 2993 | 210 | 286 | 07.20- | ■ | |
| 530 d Mild-Hybrid (JA1) | | Diesel/el éc. | RWD | 2993 | 210 | 286 | 07.20- | ■ | |
| 530 d Mild-Hybrid xDrive (B57 D30 B) | | Diesel/el éc. | 4WD | 2993 | 210 | 286 | 07.20- | ■ | |
| 530 d Mild-Hybrid xDrive (JA1) | | Diesel/el éc. | 4WD | 2993 | 210 | 286 | 07.20- | ■ | |
| 525 d (B47 D20 B) | | Diesel | RWD | 1995 | 155 | 211 | 07.17-06.19 | ■ | |
| 525 d (B47 D20 B) | | Diesel | RWD | 1995 | 170 | 231 | 07.17-06.19 | ■ | |
| 530 d (B57 D30 A) | | Diesel | RWD | 2993 | 195 | 265 | 03.17-06.20 | ■ | |
| 530 d xDrive (B57 D30 A) | | Diesel | 4WD | 2993 | 195 | 265 | 03.17-06.20 | ■ | |
| 540 d xDrive (B57 D30 B) | | Diesel | 4WD | 2993 | 235 | 320 | 07.17-06.20 | ■ | |
| 5 Serie VII Touring Van (G31) 03.17- | | | | | Estate Van (Executive car-E Segment) | | | | |
| 530i (B48 B20 B) | discØ 348 | Gasolina | RWD | 1998 | 185 | 252 | 03.17- | ■ | |
| 530 i xDrive (B48 B20 B) | discØ 348 | Gasolina | 4WD | 1998 | 185 | 252 | 07.17- | ■ | |
| 540 i xDrive (B58 B30 A) | discØ 348 | Gasolina | 4WD | 2998 | 250 | 340 | 03.17- | ■ | |
| 530 d (B57 D30 A) | | Diesel | RWD | 2993 | 195 | 265 | 03.17- | ■ | |
| 530 d xDrive (B57 D30 A) | | Diesel | 4WD | 2993 | 195 | 265 | 03.17- | ■ | |
| 540 d xDrive (B57 D30 B) | | Diesel | 4WD | 2993 | 235 | 320 | 07.17- | ■ | |
| 6 Serie IV GRAN TURISMO (G32) 06.17- | | | | | Hatchback (Grand Tourer-S Segment) | | | | |
| 630 i (B48 B20 B) | | Gasolina | RWD | 1998 | 183 | 249 | 06.17-06.20 | ■ | |
| 630 i (B48 B20 B) | SA S212A, discØ 348 | Gasolina | RWD | 1998 | 190 | 258 | 07.17-06.20 | ■ | |
| 630 i xDrive (B58 B30 C) | | Gasolina | 4WD | 2998 | 190 | 258 | 07.19- | ■ | |
| 640 i (B58 B30 A) | SA S212A, discØ 348 | Gasolina | RWD | 2998 | 250 | 340 | 06.17-06.20 | ■ | |
| 640 i (B58 B30 C) | SA S212A, discØ 348 | Gasolina | RWD | 2998 | 250 | 340 | 06.17-06.20 | ■ | |
| 640 i xDrive (B58 B30 A) | SA S212A, discØ 348 | Gasolina | 4WD | 2998 | 250 | 340 | 06.17-06.20 | ■ | |
| 640 i xDrive (B58 B30 C) | SA S212A, discØ 348 | Gasolina | 4WD | 2998 | 250 | 340 | 06.17-06.20 | ■ | |
| 640 i (B58 B30 A) | SA S212A, discØ 348 | Gasolina | RWD | 2998 | 265 | 360 | 06.17-06.20 | ■ | |
| 640 i (B58 B30 C) | SA S212A, discØ 348 | Gasolina | RWD | 2998 | 265 | 360 | 06.17-06.20 | ■ | |
| 640 i xDrive (B58 B30 A) | SA S212A, discØ 348 | Gasolina | 4WD | 2998 | 265 | 360 | 06.17-06.20 | ■ | |
| 640 i xDrive (B58 B30 C) | SA S212A, discØ 348 | Gasolina | 4WD | 2998 | 265 | 360 | 06.17-06.20 | ■ | |
| 630 i Mild-Hybrid | | Gasol./el éc. | RWD | 1998 | 180 | 245 | 07.20- | ■ | |
| 630 i Mild-Hybrid (B48 B20 B) | | Gasol./el éc. | RWD | 1998 | 190 | 258 | 07.20- | ■ | |
| 630 i Mild-Hybrid (JA1) | | Gasol./el éc. | RWD | 1998 | 190 | 258 | 07.20- | ■ | |
| 620 d Mild-Hybrid (B47 D20 B) | discØ 348 | Diesel/el éc. | RWD | 1995 | 120 | 163 | 07.20- | ■ | |
| 620 d Mild-Hybrid (JA1) | discØ 348 | Diesel/el éc. | RWD | 1995 | 120 | 163 | 07.20- | ■ | |
| 620 d Mild-Hybrid (B47 D20 B) | | Diesel/el éc. | RWD | 1995 | 140 | 190 | 07.20- | ■ | |
| 620 d Mild-Hybrid (JA1) | | Diesel/el éc. | RWD | 1995 | 140 | 190 | 07.20- | ■ | |
| 620 d Mild-Hybrid xDrive (B47 D20 B) | discØ 348 | Diesel/el éc. | 4WD | 1995 | 140 | 190 | 07.20- | ■ | |
| 620 d Mild-Hybrid xDrive (JA1) | discØ 348 | Diesel/el éc. | 4WD | 1995 | 140 | 190 | 07.20- | ■ | |
| 630 d Mild-Hybrid (B57 D30 B) | discØ 348, SA S212A | Diesel/el éc. | RWD | 2993 | 155 | 211 | 07.20- | ■ | |
| 630 d Mild-Hybrid (JA1) | discØ 348, SA S212A | Diesel/el éc. | RWD | 2993 | 155 | 211 | 07.20- | ■ | |
| 630 d Mild-Hybrid (B57 D30 B) | | Diesel/el éc. | RWD | 2993 | 210 | 286 | 07.20- | ■ | |

LISTA DE APLICACIONES - BUYERS GUIDE

| | | | | | | | | | |
|---------------------------------------|--|---------------|-----|------|---|-----|-------------|---|--|
| 630 d Mild-Hybrid (JA1) | | Diesel/el éc. | RWD | 2993 | 210 | 286 | 07.20- | ■ | |
| 630 d Mild-Hybrid xDrive (B57 D30 B) | | Diesel/el éc. | 4WD | 2993 | 210 | 286 | 07.20- | ■ | |
| 630 d Mild-Hybrid xDrive (JA1) | | Diesel/el éc. | 4WD | 2993 | 210 | 286 | 07.20- | ■ | |
| 620 d (B47 D20 B) | SA S212A | Diesel | RWD | 1995 | 120 | 163 | 07.18-06.20 | ■ | |
| 620 d xDrive (B47 D20 B) | SA S212A | Diesel | 4WD | 1995 | 120 | 163 | 07.18-06.20 | ■ | |
| 620 d (B47 D20 B) | SA S212A | Diesel | RWD | 1995 | 140 | 190 | 07.18-06.20 | ■ | |
| 620 d xDrive (B47 D20 B) | SA S212A | Diesel | 4WD | 1995 | 140 | 190 | 07.18-06.20 | ■ | |
| 630 d (B57 D30 A) | SA S212A, discØ 348 | Diesel | RWD | 2993 | 155 | 211 | 06.17-06.20 | ■ | |
| 630 d xDrive (B57 D30 A) | SA S212A, discØ 348 | Diesel | 4WD | 2993 | 155 | 211 | 06.17-06.20 | ■ | |
| 630 d xDrive (B57 D30 A) | SA S212A, discØ 348 | Diesel | 4WD | 2993 | 183 | 249 | 06.17-06.20 | ■ | |
| 630 d (B57 D30 A) | SA S212A, discØ 348 | Diesel | RWD | 2993 | 195 | 265 | 06.17-06.20 | ■ | |
| 630 d xDrive (B57 D30 A) | SA S212A, discØ 348 | Diesel | 4WD | 2993 | 195 | 265 | 06.17-06.20 | ■ | |
| 640 d xDrive (B57 D30 B) | SA S212A, discØ 348 | Diesel | 4WD | 2993 | 235 | 320 | 11.17-06.20 | ■ | |
| 7 Serie VI (G11, G12) 07.15- | | | | | Saloon (Luxury car-F Segment) | | | | |
| 730 i (B48 B20 B) | SA S212A, discØ 348 | Gasolina | RWD | 1998 | 183 | 249 | 11.15-06.22 | ■ | |
| 730 i, Li (B48 B20 B) | -11/16 | Gasolina | RWD | 1998 | 190 | 258 | 11.15-02.19 | ■ | |
| 730 i, Li (B48 B20 B) | | Gasolina | RWD | 1998 | 195 | 265 | 03.19-06.22 | ■ | |
| 725 d, Ld (B47 D20 B) | not M technique | Diesel | RWD | 1995 | 155 | 211 | 07.16-02.19 | ■ | |
| 725 d, Ld (B47 D20 B) | not M technique, discØ 348 | Diesel | RWD | 1995 | 170 | 231 | 07.16-02.19 | ■ | |
| 730 d (B57 D30 A) | discØ 348, SA S212A | Diesel | RWD | 2993 | 155 | 211 | 07.15-06.20 | ■ | |
| 730 d xDrive (B57 D30 A) | discØ 348, South Korea | Diesel | 4WD | 2993 | 155 | 211 | 09.15-06.20 | ■ | |
| 730 d, Ld xDrive (B57 D30 A) | SA S212A, discØ 348 | Diesel | 4WD | 2993 | 183 | 249 | 09.15-06.20 | ■ | |
| 730 d, Ld (B57 D30 A) | discØ 348, SA S212A | Diesel | RWD | 2993 | 195 | 265 | 09.15-06.20 | ■ | |
| 730 d, Ld xDrive (B57 D30 A) | discØ 348, South Korea | Diesel | 4WD | 2993 | 195 | 265 | 09.15-06.20 | ■ | |
| iX3 (G08) 09.20- | | | | | SUV (Luxury Crossover SUV-J Segment) | | | | |
| Electric (HA0) | discØ 348 | Eléctrico | RWD | | 80 | 109 | 09.20- | ■ | |
| X3 III (G01, F97, G08) 07.17- | | | | | SUV (Luxury Crossover SUV-J Segment) | | | | |
| xDrive 30 i (B48 B20 B) | not M technique, discØ 348, Syst. Standard | Gasolina | 4WD | 1998 | 183 | 249 | 08.17- | ■ | |
| xDrive 30e Plug-in-Hybrid (B46 B20 B) | not M technique | Gasol./el éc. | 4WD | 1998 | 120 | 163 | 12.19- | ■ | |
| xDrive 30e Plug-in-Hybrid (B48 B20 A) | not M technique | Gasol./el éc. | 4WD | 1998 | 120 | 163 | 12.19- | ■ | |
| xDrive 30e Plug-in-Hybrid (B46 B20 B) | | Gasol./el éc. | 4WD | 1998 | 135 | 184 | 12.19- | ■ | |
| xDrive 30e Plug-in-Hybrid (B48 B20 A) | | Gasol./el éc. | 4WD | 1998 | 135 | 184 | 12.19- | ■ | |
| xDrive 30 i Mild Hybrid | | Gasol./el éc. | 4WD | 1998 | 180 | 245 | 08.21- | ■ | |
| xDrive 30e Plug-in-Hybrid | | Gasol./el éc. | 4WD | 1998 | 200 | 272 | 01.23- | ■ | |
| xDrive 30e Plug-in-Hybrid (B46 B20 B) | | Gasol./el éc. | 4WD | 1998 | 215 | 292 | 12.19- | ■ | |
| xDrive 30e Plug-in-Hybrid (B48 B20 A) | | Gasol./el éc. | 4WD | 1998 | 215 | 292 | 12.19- | ■ | |
| xDrive 30e Plug-in-Hybrid (B46 B20 B) | not M technique | Gasol./el éc. | 4WD | 1998 | 215 | 292 | 12.19- | ■ | |
| xDrive 30e Plug-in-Hybrid (B48 B20 A) | not M technique | Gasol./el éc. | 4WD | 1998 | 215 | 292 | 12.19- | ■ | |
| iX3 (HA0) | discØ 348 | Eléctrico | RWD | | 210 | 286 | 09.20- | ■ | |
| xDrive 30 d Mild-Hybrid (B57 D30 B) | discØ 348, Syst. Standard | Diesel/el éc. | 4WD | 2993 | 183 | 249 | 07.20- | ■ | |
| xDrive 30 d Mild-Hybrid (JA1) | discØ 348, Syst. Standard | Diesel/el éc. | 4WD | 2993 | 183 | 249 | 07.20- | ■ | |
| xDrive 30 d Mild-Hybrid (B57 D30 B) | discØ 348, Syst. Standard | Diesel/el éc. | 4WD | 2993 | 210 | 286 | 07.20- | ■ | |

LISTA DE APLICACIONES - BUYERS GUIDE

| | | | | | | | | | |
|-------------------------------------|---------------------------|---------------|-----|------|---|-----|-------------|---|--|
| xDrive 30 d Mild-Hybrid (JA1) | discØ 348, Syst. Standard | Diesel/el éc. | 4WD | 2993 | 210 | 286 | 07.20- | ■ | |
| xDrive 25 d (B47 D20 B) | | Diesel | 4WD | 1995 | 155 | 211 | 04.18- | ■ | |
| xDrive 25 d (B47 D20 B) | | Diesel | 4WD | 1995 | 170 | 231 | 04.18- | ■ | |
| xDrive 30 d (B57 D30 A) | | Diesel | 4WD | 2993 | 183 | 249 | 12.17-06.20 | ■ | |
| xDrive 30 d (B57 D30 A) | SA S212A | Diesel | 4WD | 2993 | 195 | 265 | 08.17-06.20 | ■ | |
| X3 III Van (G01) 07.17- | | | | | SUV Van (Luxury Crossover SUV-J Segment) | | | | |
| xDrive 30 d (B57 D30 A) | SA S212A, Syst. Standard | Diesel | 4WD | 2993 | 195 | 265 | 08.17- | ■ | |
| X4 II (G02, F98) 04.18- | | | | | SUV (Luxury Crossover SUV-J Segment) | | | | |
| xDrive 30 i (B48 B20 B) | | Gasolina | 4WD | 1998 | 183 | 249 | 04.18- | ■ | |
| xDrive 30 i (B46 B20 B) | | Gasolina | 4WD | 1998 | 185 | 252 | 04.18- | ■ | |
| xDrive 30 i (B48 B20 B) | | Gasolina | 4WD | 1998 | 185 | 252 | 04.18- | ■ | |
| xDrive 30 i Mild Hybrid | | Gasol./el éc. | 4WD | 1998 | 180 | 245 | 07.21- | ■ | |
| xDrive 30 d Mild-Hybrid (B57 D30 B) | discØ 348 | Diesel/el éc. | 4WD | 2993 | 183 | 249 | 07.20- | ■ | |
| xDrive 30 d Mild-Hybrid (JA1) | discØ 348 | Diesel/el éc. | 4WD | 2993 | 183 | 249 | 07.20- | ■ | |
| xDrive 30 d Mild-Hybrid (B57 D30 B) | discØ 348 | Diesel/el éc. | 4WD | 2993 | 210 | 286 | 07.20- | ■ | |
| xDrive 30 d Mild-Hybrid (JA1) | discØ 348 | Diesel/el éc. | 4WD | 2993 | 210 | 286 | 07.20- | ■ | |
| xDrive 25 d (B47 D20 B) | | Diesel | 4WD | 1995 | 155 | 211 | 04.18- | ■ | |
| xDrive 25 d (B47 D20 B) | | Diesel | 4WD | 1995 | 170 | 231 | 04.18- | ■ | |
| xDrive 30 d (B57 D30 A) | | Diesel | 4WD | 2993 | 183 | 249 | 09.18-06.20 | ■ | |
| xDrive 30 d (B57 D30 A) | not M technique, SA S212A | Diesel | 4WD | 2993 | 195 | 265 | 04.18-06.20 | ■ | |
| X5 IV (G05) 11.19- | | | | | SUV Van (Luxury Crossover SUV-J Segment) | | | | |
| xDrive 40 i (B58 B30 C) | Syst. Standard | Gasolina | 4WD | 2998 | 250 | 340 | 11.19-03.23 | ■ | |
| xDrive 30 d (B57 D30 A) | Syst. Standard | Diesel | 4WD | 2993 | 195 | 265 | 11.19-03.23 | ■ | |
| X5 IV (G05, F95) 08.18- | | | | | SUV (Luxury Crossover SUV-J Segment) | | | | |
| xDrive 30 i | not M technique | Gasolina | 4WD | 1998 | 195 | 265 | 09.19-12.21 | ■ | |
| sDrive 40 i | not M technique | Gasolina | RWD | 2998 | 250 | 340 | 08.19-03.23 | ■ | |
| xDrive 40 i (B58 B30 C) | | Gasolina | 4WD | 2998 | 250 | 340 | 08.18-03.23 | ■ | |
| xDrive 40 i Mild-Hybrid | discØ 348, SA S212A | Gasol./el éc. | 4WD | 2998 | 245 | 333 | 12.20-03.23 | ■ | |
| xDrive 30 d Mild-Hybrid (B57 D30 B) | | Diesel/el éc. | 4WD | 2993 | 183 | 249 | 08.20- | ■ | |
| xDrive 30 d Mild-Hybrid (JA1) | | Diesel/el éc. | 4WD | 2993 | 183 | 249 | 08.20- | ■ | |
| xDrive 30 d Mild-Hybrid (B57 D30 B) | | Diesel/el éc. | 4WD | 2993 | 210 | 286 | 08.20- | ■ | |
| xDrive 30 d Mild-Hybrid (JA1) | | Diesel/el éc. | 4WD | 2993 | 210 | 286 | 08.20- | ■ | |
| xDrive 25 d (B47 D20 B) | | Diesel | 4WD | 1995 | 155 | 211 | 08.19-03.23 | ■ | |
| xDrive 25 d (B47 D20 B) | | Diesel | 4WD | 1995 | 170 | 231 | 08.19-03.23 | ■ | |
| xDrive 30 d (B57 D30 A) | | Diesel | 4WD | 2993 | 183 | 249 | 08.18-07.20 | ■ | |
| xDrive 30 d (B57 D30 A) | | Diesel | 4WD | 2993 | 195 | 265 | 08.18-07.20 | ■ | |
| X6 III (G06, F96) 08.19- | | | | | SUV (Luxury Crossover SUV-J Segment) | | | | |
| sDrive 40 i | not M technique | Gasolina | RWD | 2998 | 250 | 340 | 08.19- | ■ | |
| xDrive 40 i (B58 B30 C) | USA, discØ 348 | Gasolina | 4WD | 2998 | 250 | 340 | 08.19-03.23 | ■ | |
| xDrive 40 i Mild-Hybrid | discØ 348, SA S212A | Gasol./el éc. | 4WD | 2998 | 245 | 333 | 12.20-03.23 | ■ | |
| xDrive 40 i Mild Hybrid | | Gasol./el éc. | 4WD | 2998 | 280 | 381 | 04.23- | ■ | |
| xDrive 30 d Mild-Hybrid (B57 D30 B) | | Diesel/el éc. | 4WD | 2993 | 155 | 211 | 08.20- | ■ | |

LISTA DE APLICACIONES - BUYERS GUIDE

| | | | | | | | | | |
|---------------------------------------|-----------------|---------------|-----|------|-----|---|-------------|---|--|
| xDrive 30 d Mild-Hybrid (JA1) | | Diesel/el éc. | 4WD | 2993 | 155 | 211 | 08.20- | ■ | |
| xDrive 30 d Mild-Hybrid (B57 D30 B) | | Diesel/el éc. | 4WD | 2993 | 183 | 249 | 08.20- | ■ | |
| xDrive 30 d Mild-Hybrid (JA1) | | Diesel/el éc. | 4WD | 2993 | 183 | 249 | 08.20- | ■ | |
| xDrive 30 d Mild-Hybrid (B57 D30 B) | | Diesel/el éc. | 4WD | 2993 | 210 | 286 | 08.20-03.23 | ■ | |
| xDrive 30 d Mild-Hybrid (JA1) | | Diesel/el éc. | 4WD | 2993 | 210 | 286 | 08.20-03.23 | ■ | |
| xDrive 30 d (B57 D30 A) | | Diesel | 4WD | 2993 | 155 | 211 | 08.19-07.20 | ■ | |
| xDrive 30 d (B57 D30 A) | | Diesel | 4WD | 2993 | 183 | 249 | 08.19-07.20 | ■ | |
| xDrive 30 d (B57 D30 A) | discØ 348 | Diesel | 4WD | 2993 | 195 | 265 | 08.19-07.20 | ■ | |
| BMW (BRILLIANCE) | | | | | | | | | |
| 3 SERIES VII (G28, G20) 06.19- | | | | | | Saloon (Compact executive car-D Segment) | | | |
| 330i | not M technique | Gasolina | RWD | 1998 | 190 | 258 | 11.19- | ■ | |
| 330 Li xDrive | not M technique | Gasolina | 4WD | 1998 | 190 | 258 | 11.19- | ■ | |