

LISTA DE APLICACIONES - BUYERS GUIDE

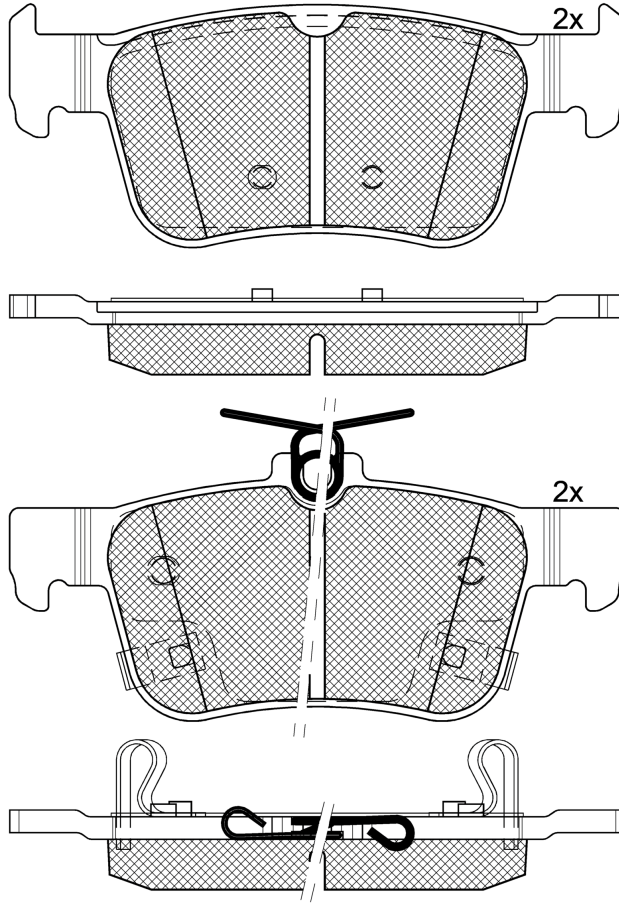
182315-200



Qty: 300

Weight: 900

O.E.M.	MAKE
43022_TGH-A11	HONDA
43022-TBF-A01	HONDA
43022-TGH-A01	HONDA



182315-200

E 9 90R-02A0111/5030



Ate - Teves

122.5x48.5x14.5
122.5x53.3x14.5

WVA	FMSI
22429	D1878-9334
22430	
22431	
MAKE	
HONDA	



Trac.	CC	Kw	CV
-------	----	----	----



Front / Rear

HONDA

CIVIC X (FC_, FK_) 09.16-

Hatchback (Compact car-C Segment)

2.0 Type-R (FK8) (K20C1)	Gasolina	FWD	1996	235	320	06.17-12.22	■
--------------------------	----------	-----	------	-----	-----	-------------	---